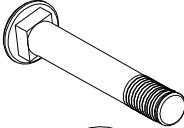


E ***ENERGETICS***

ET 2.1 MAGNETIC



18 M10*92 4PCS 

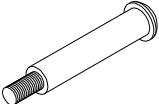
19 $\phi 10.5 \times \phi 25 \times T1.5$ 4PCS 

20 M10 4PCS 

45 M8*15 4PCS 

31 $\phi 8.5 \times \phi 22 \times T1.5$ 4PCS 

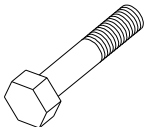
25 1PC 

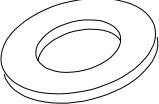
34 1PC 

21 1/2*20*T8 1PC 

49 1/2*20*T8 1PC 

26 $\phi 12.7 \times \phi 27 \times T2.5$ 2PCS 

22 M10*45 4PCS 

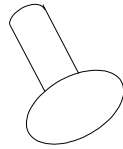
28 $\phi 10.5 \times \phi 20 \times T1.5$ 4PCS 

24 M10 4PCS 

47 $\phi 16 \times \phi 21.4 \times T0.25$ 2PCS 

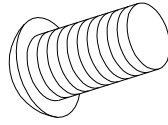
36 $\phi 8 * M6 * 22$

4PCS



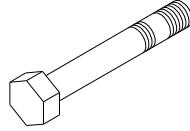
37 M6*15

4PCS



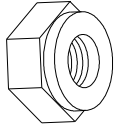
27 M10*65

2PCS



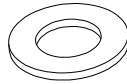
24 M10

2PCS



35 $\phi 10.5 * \phi 20 * T1.5$

4PCS



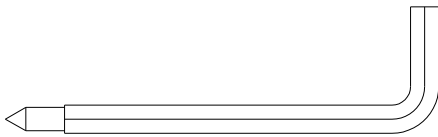
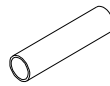
30 M10

4PCS

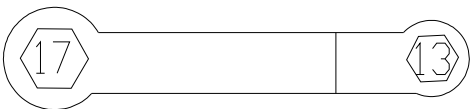


29 $\phi 12.7 * T1.0 * 51$

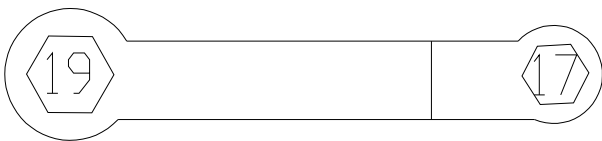
2PCS



L6 1PC



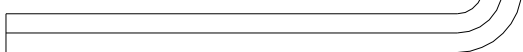
L13~L17 1PC



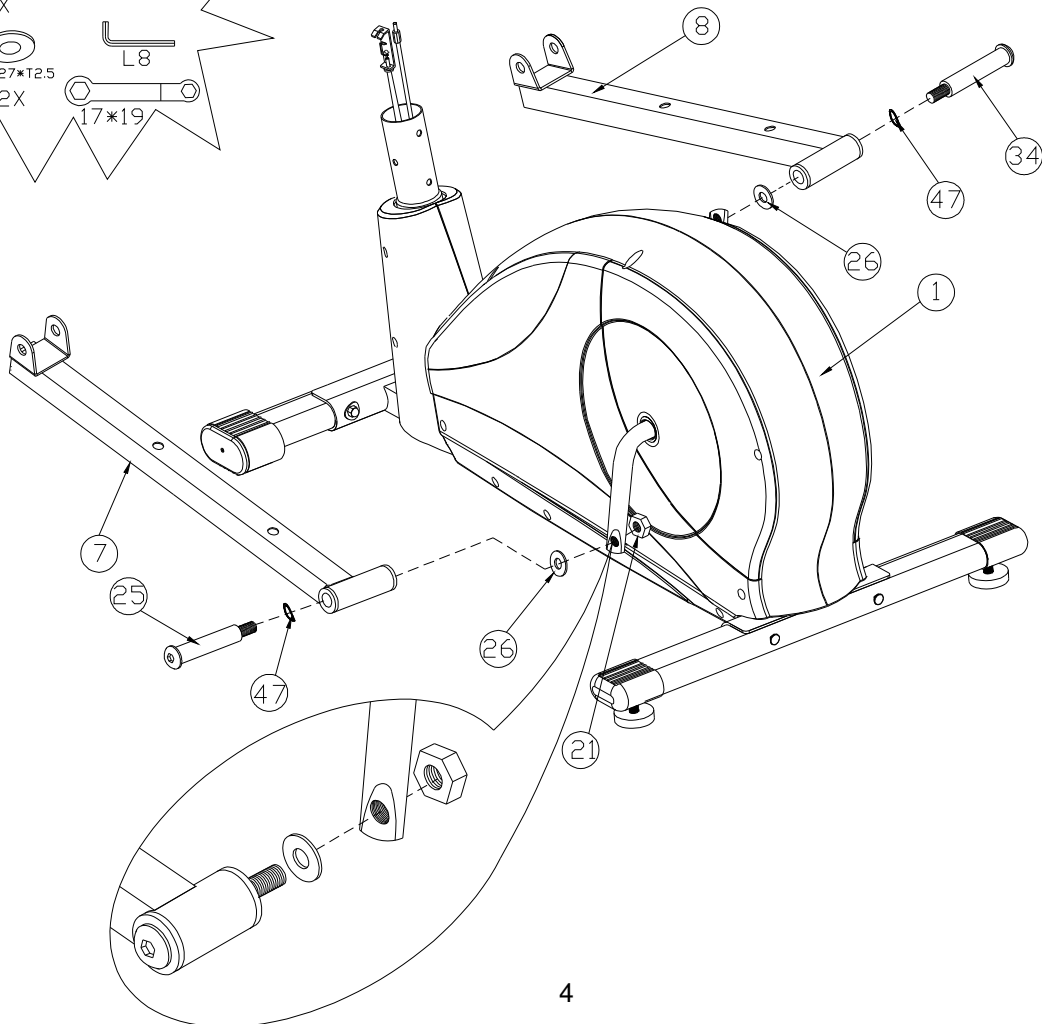
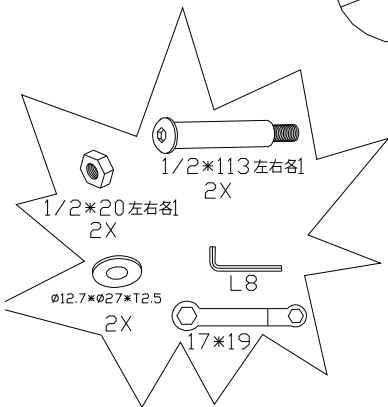
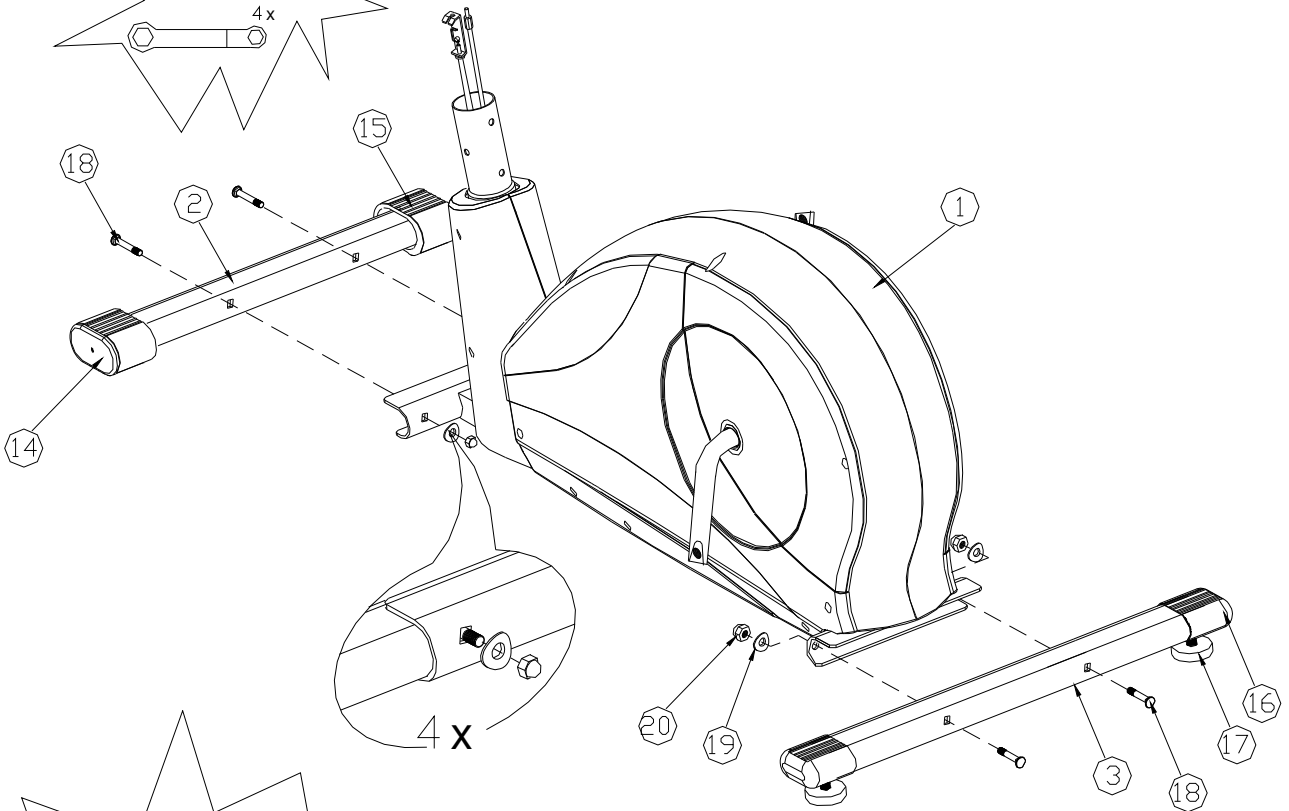
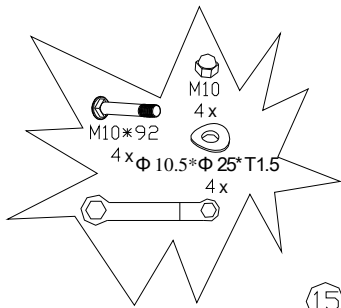
L17~L19 1PC

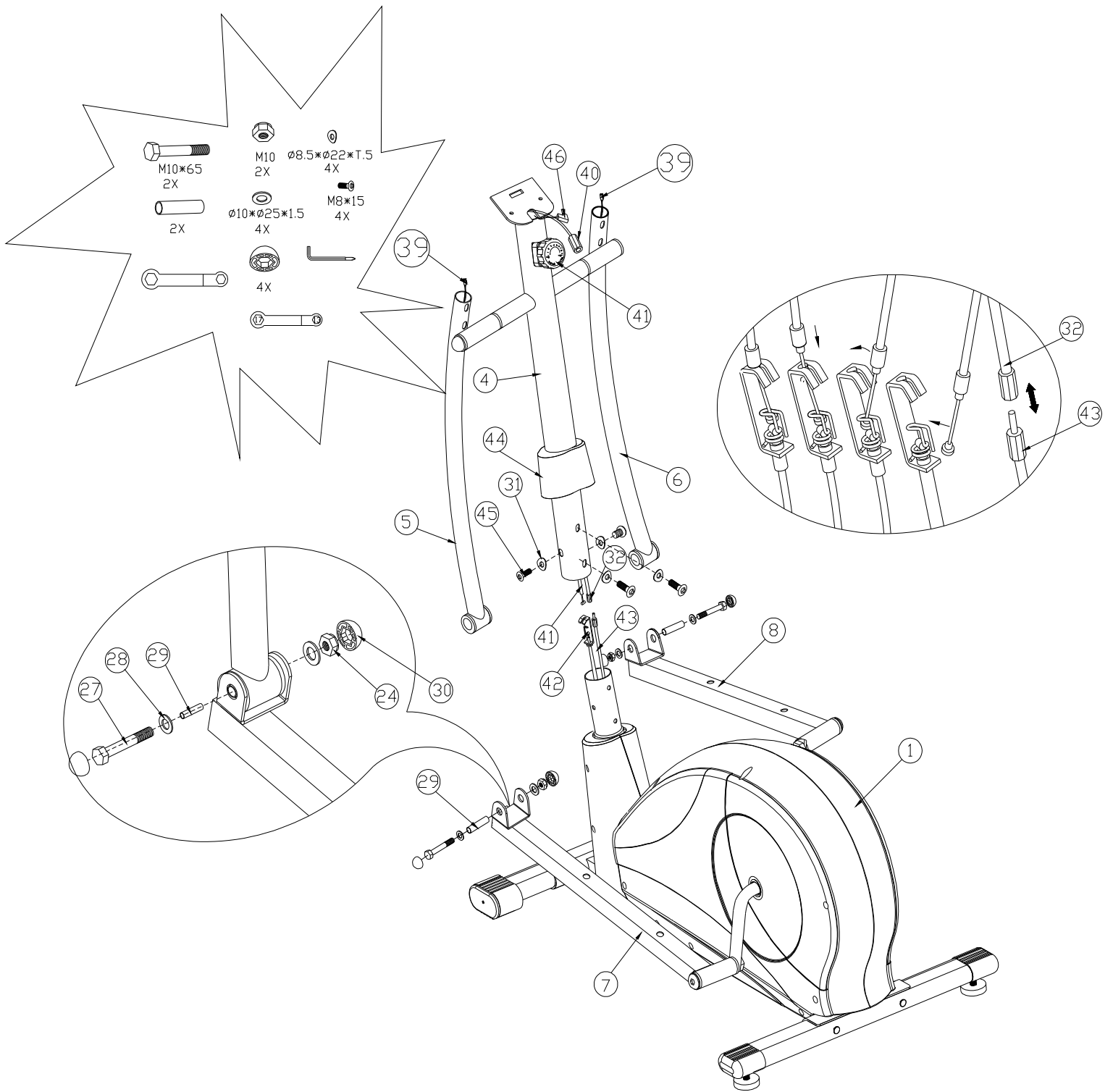


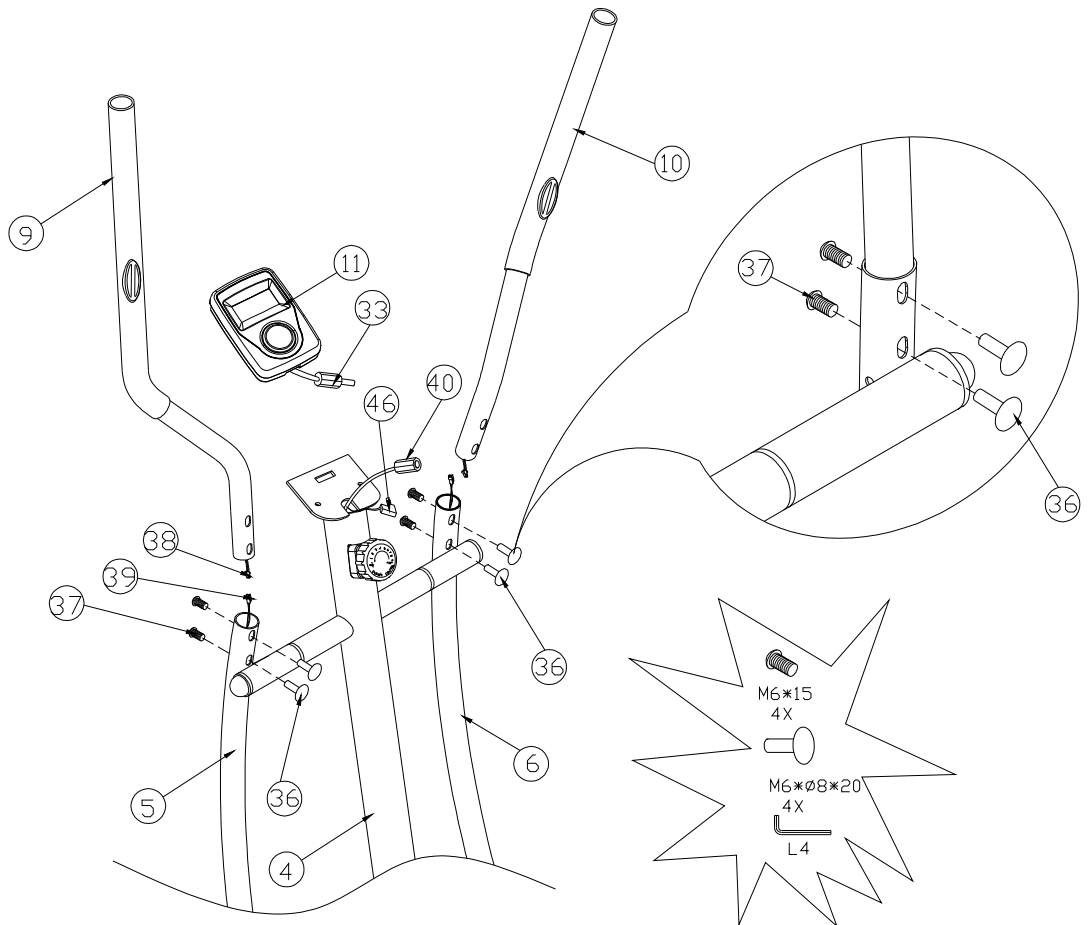
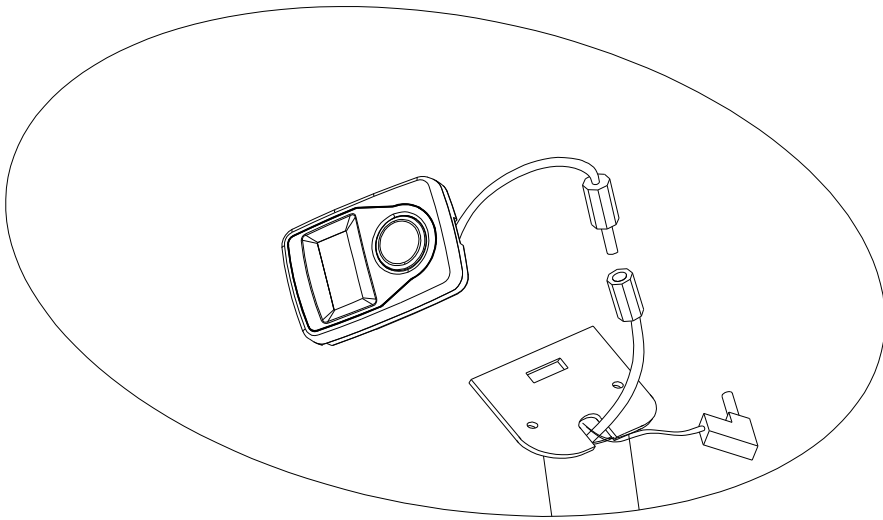
L4 1PC

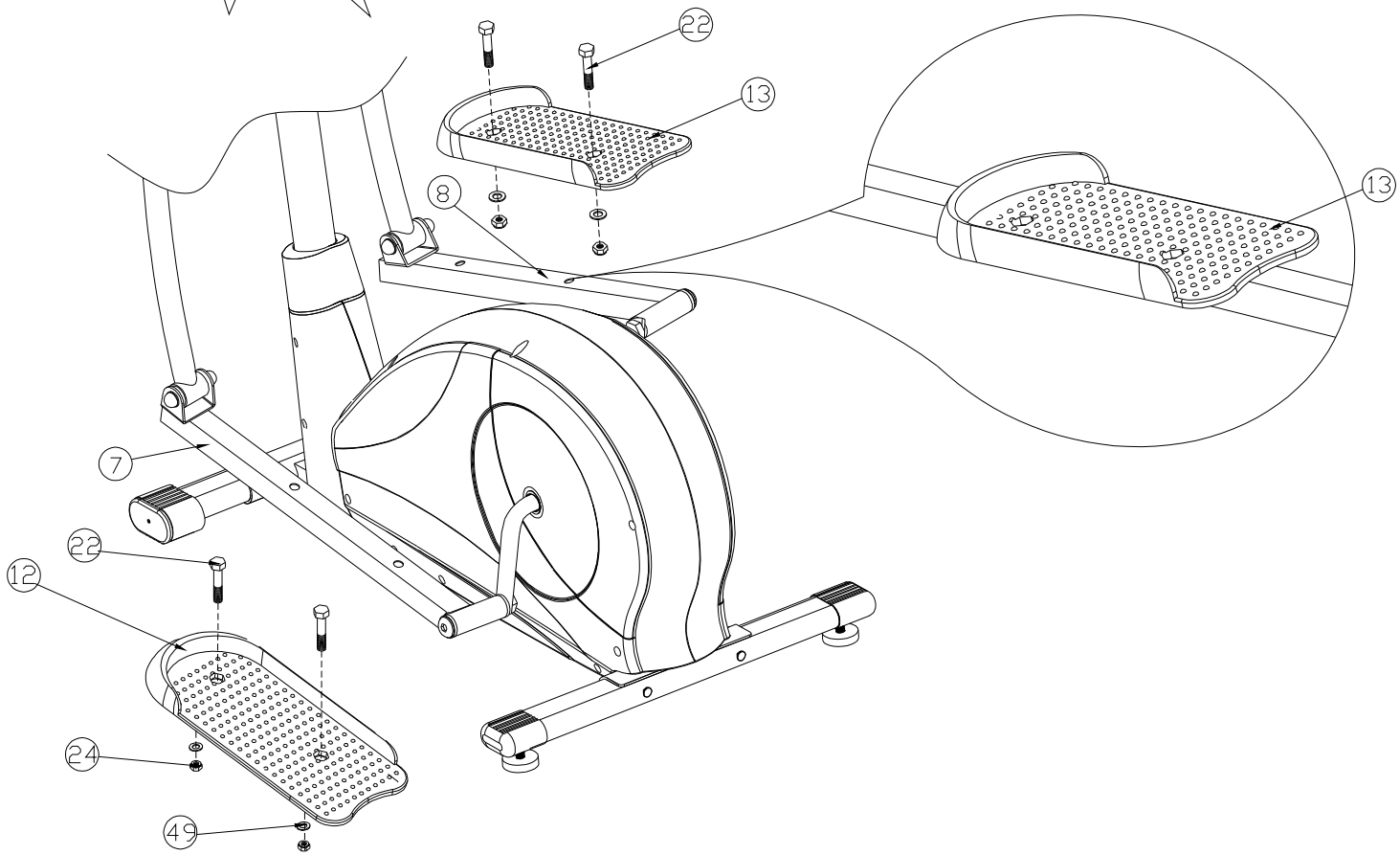
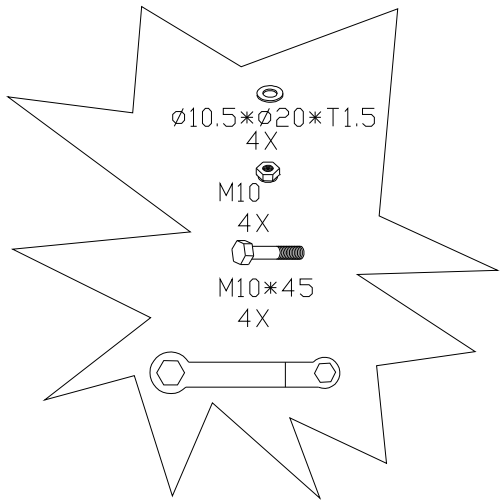


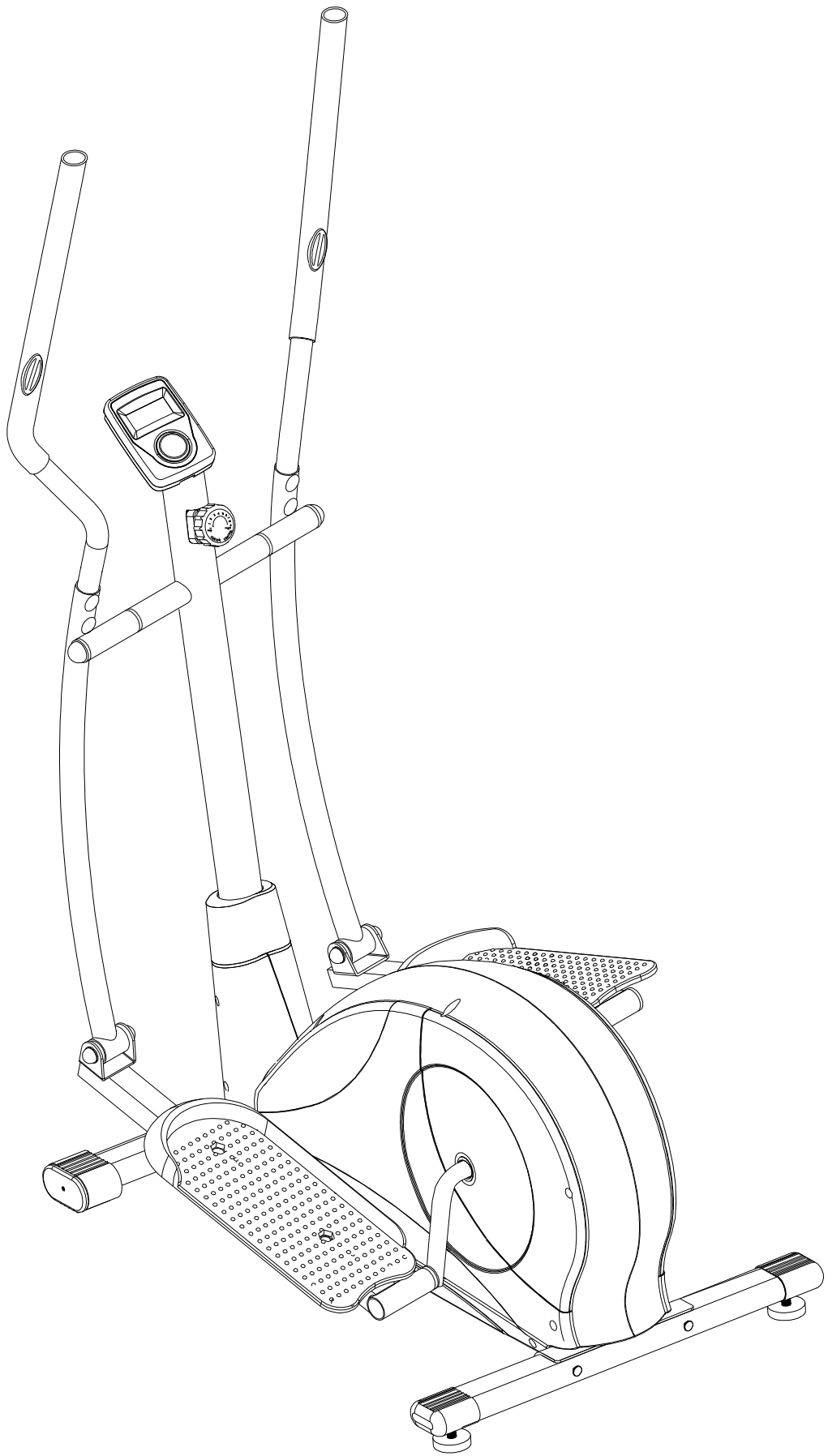
8MM 1PC

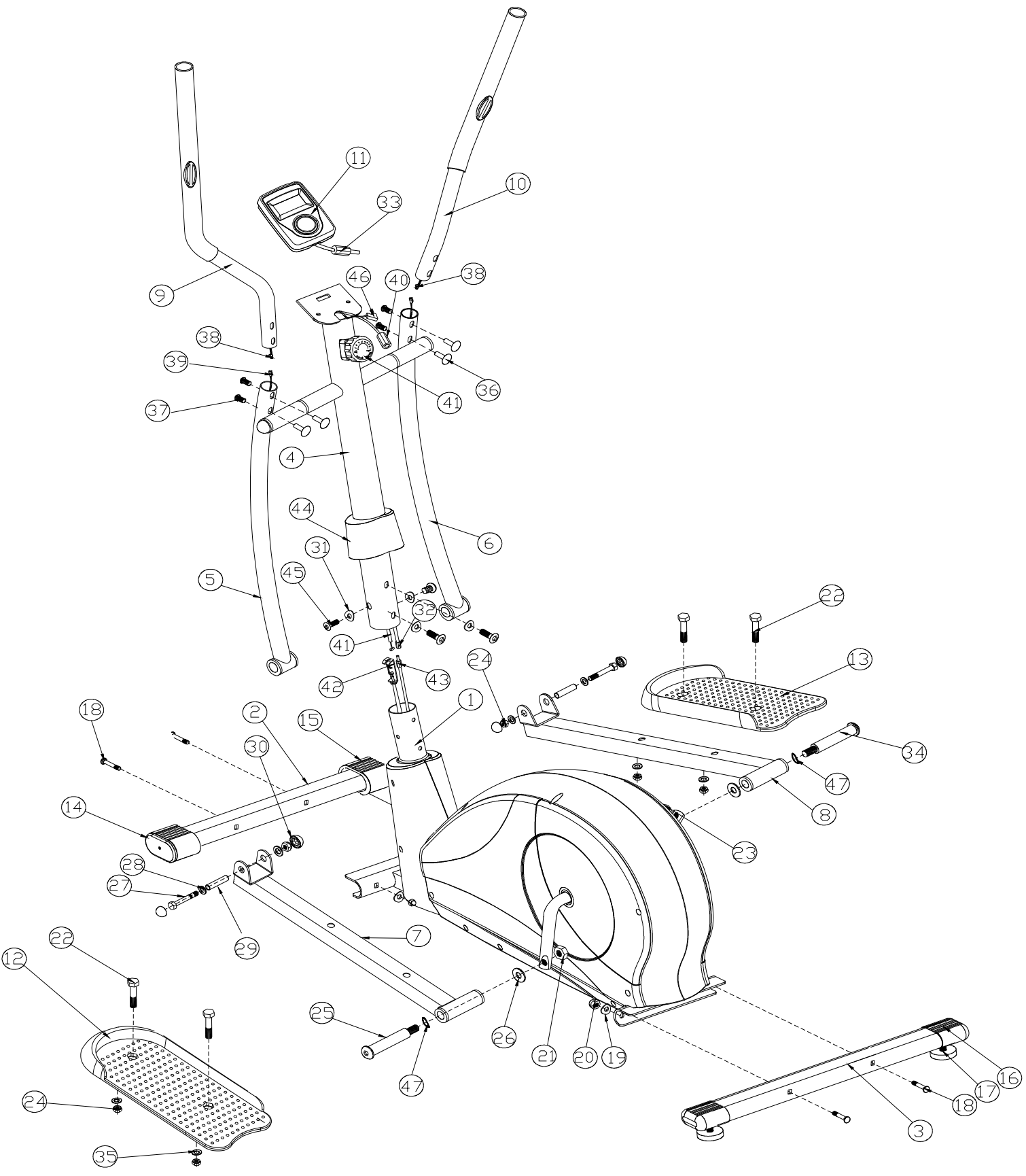














**Woelflistrasse 2
CH – 3006 Bern
Switzerland**

© Copyright ENERGETICS 2010