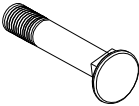

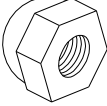
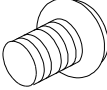
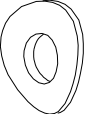
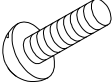


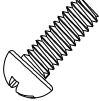
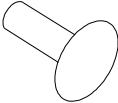
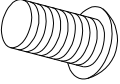
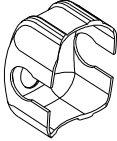
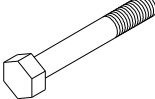


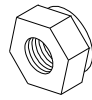
**E** **ENERGETICS**

**ET 3.1 MAGNETIC**



15	M10*92		4PCS
17	10.5*25*T1.5		4PCS
16	M10		4PCS
18	M8*15		4PCS
19	8.5*22*T1.5		4PCS
22	M10*20		2PCS
24	10*28*T2		2PCS
21	10.5		2PCS
20	M6*50		4PCS
23	M6*8*26		4PCS
28	M6*15		4PCS
33			1PCS
25	M10*70		2PCS

43 M10



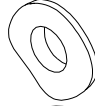
2PCS

44 10.5\*25\*T1.5



4PCS

47  $\Phi 21.4 * \Phi 16 * t 0.3$



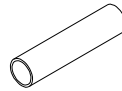
2PCS

27 M10



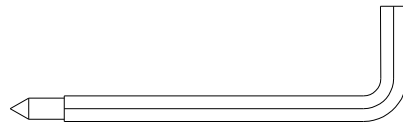
4PCS

26 12.7\*T1.0\*55



2PCS

L6

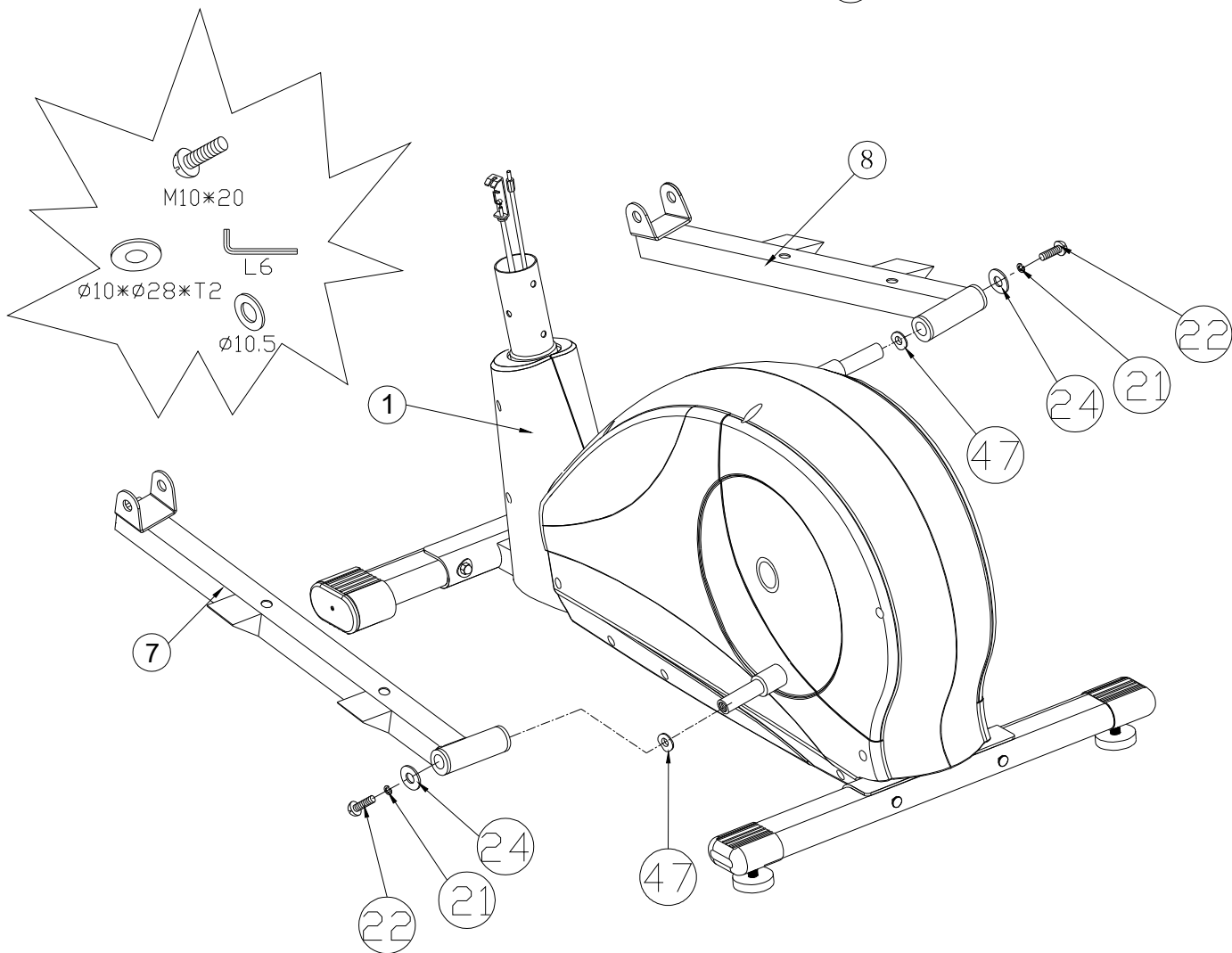
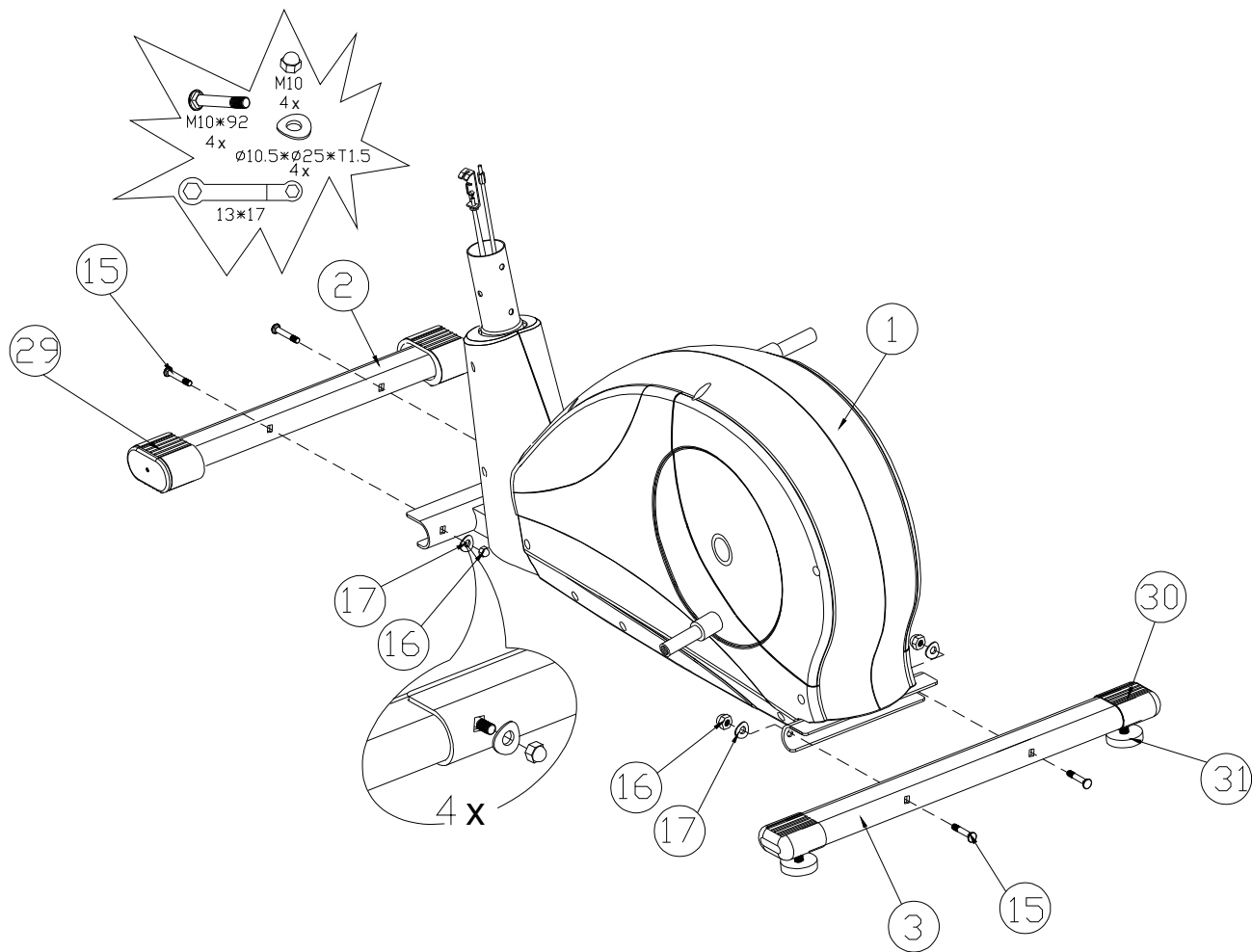


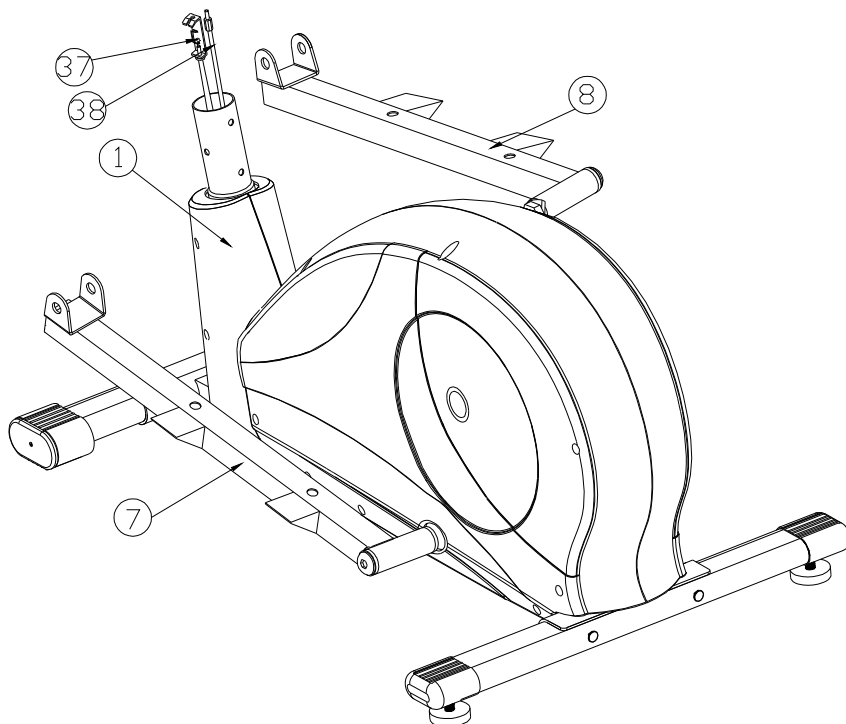
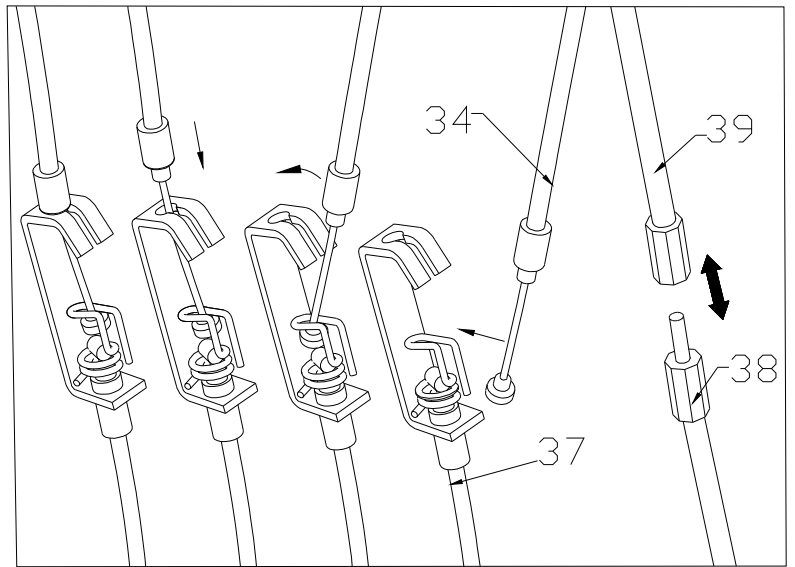
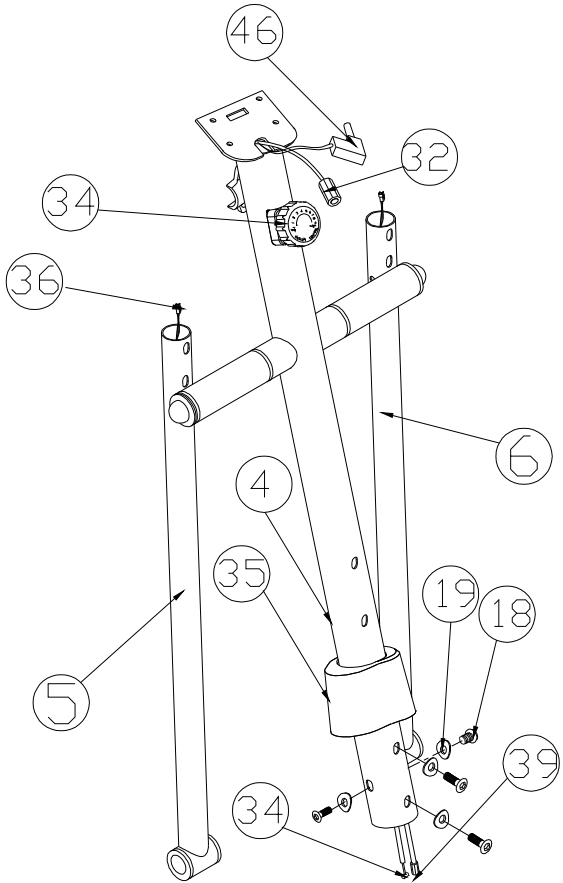
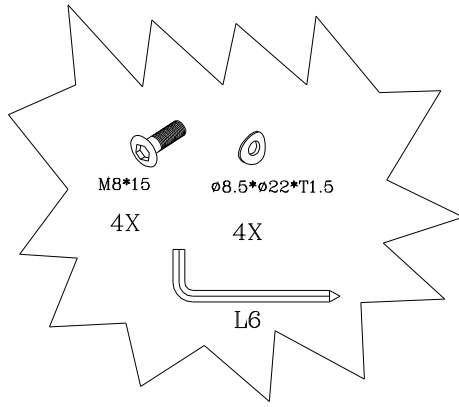
1PC

L13~L17

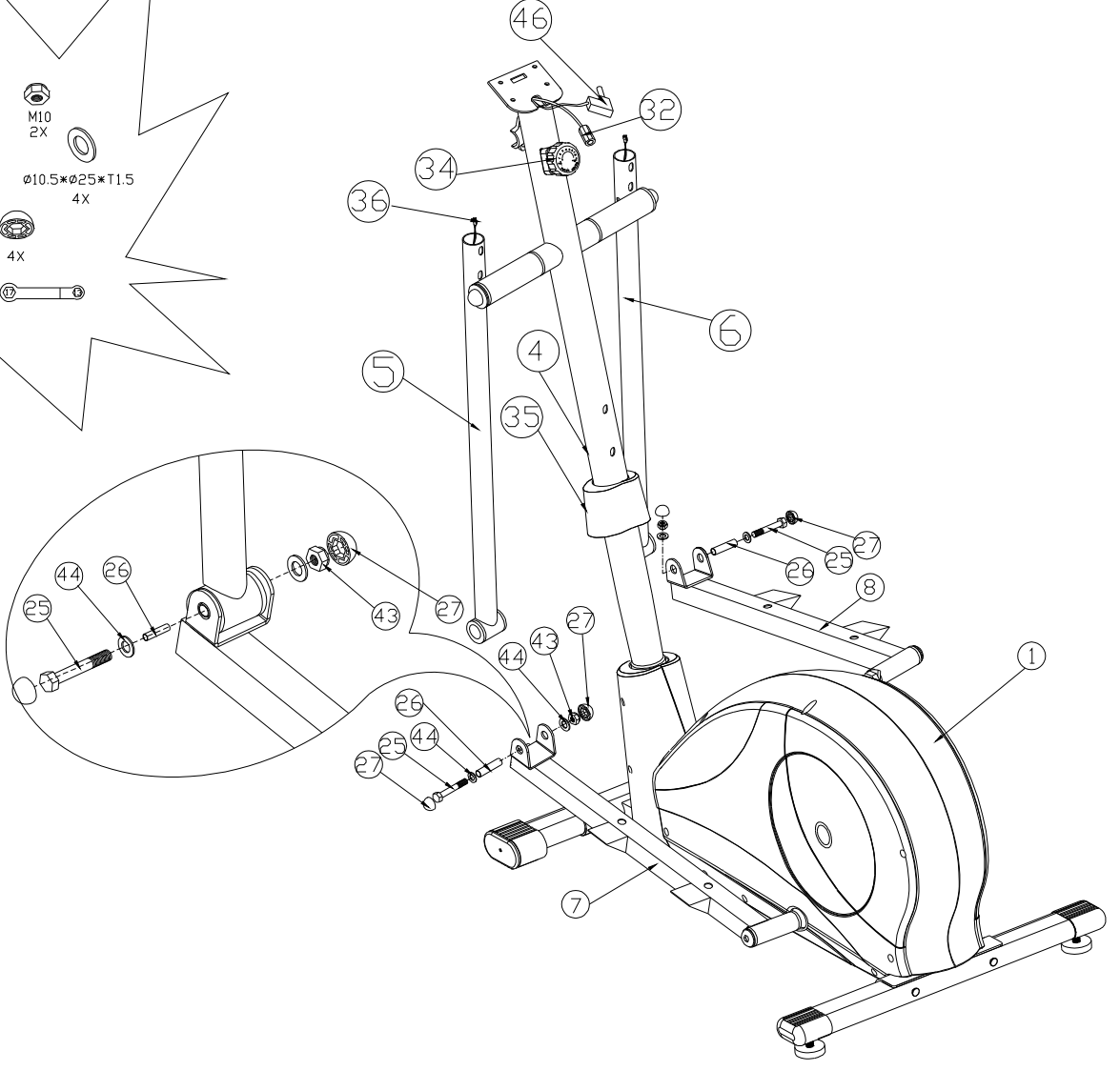


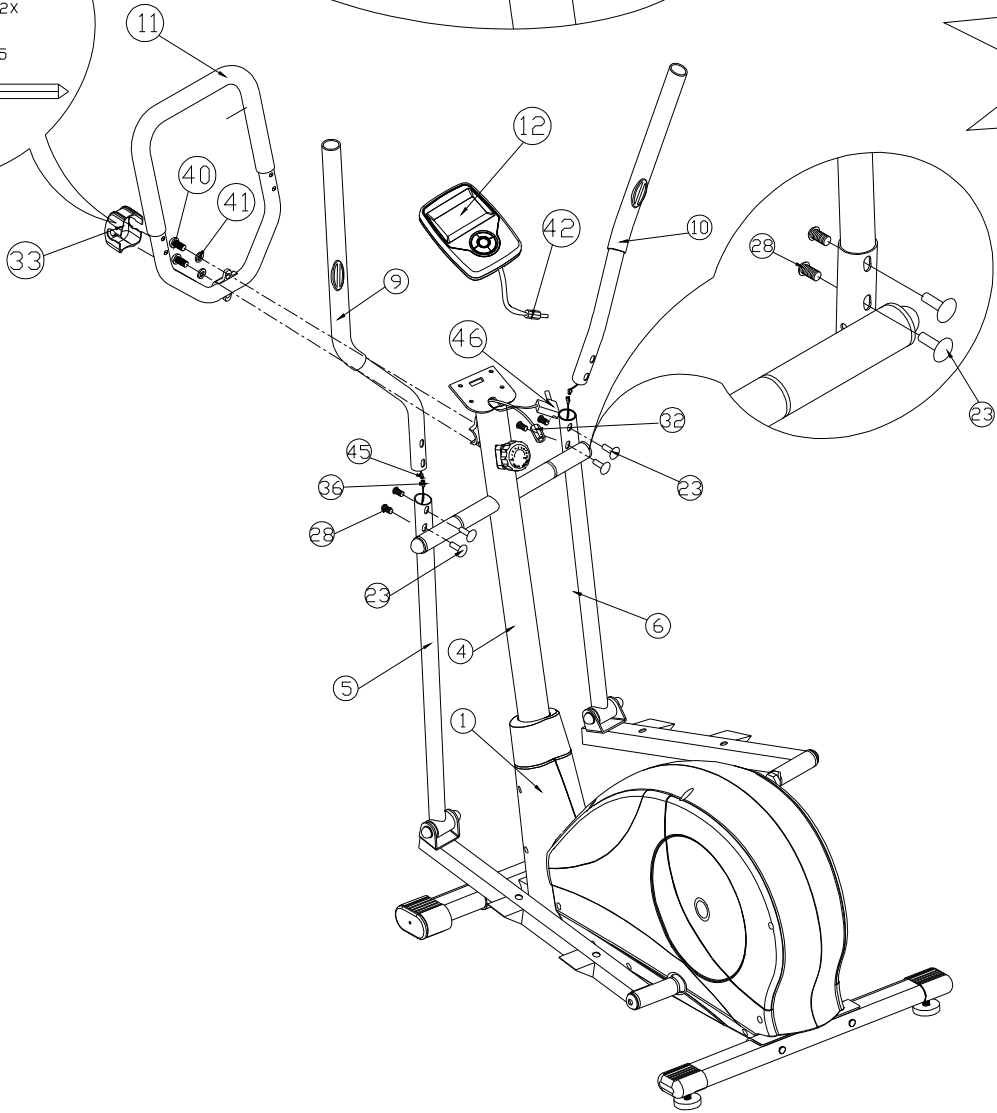
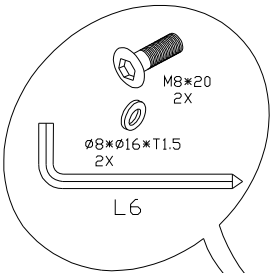
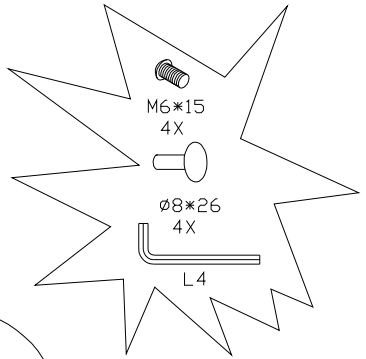
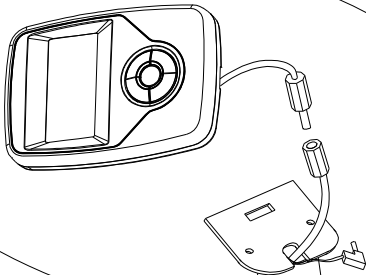
2PCS

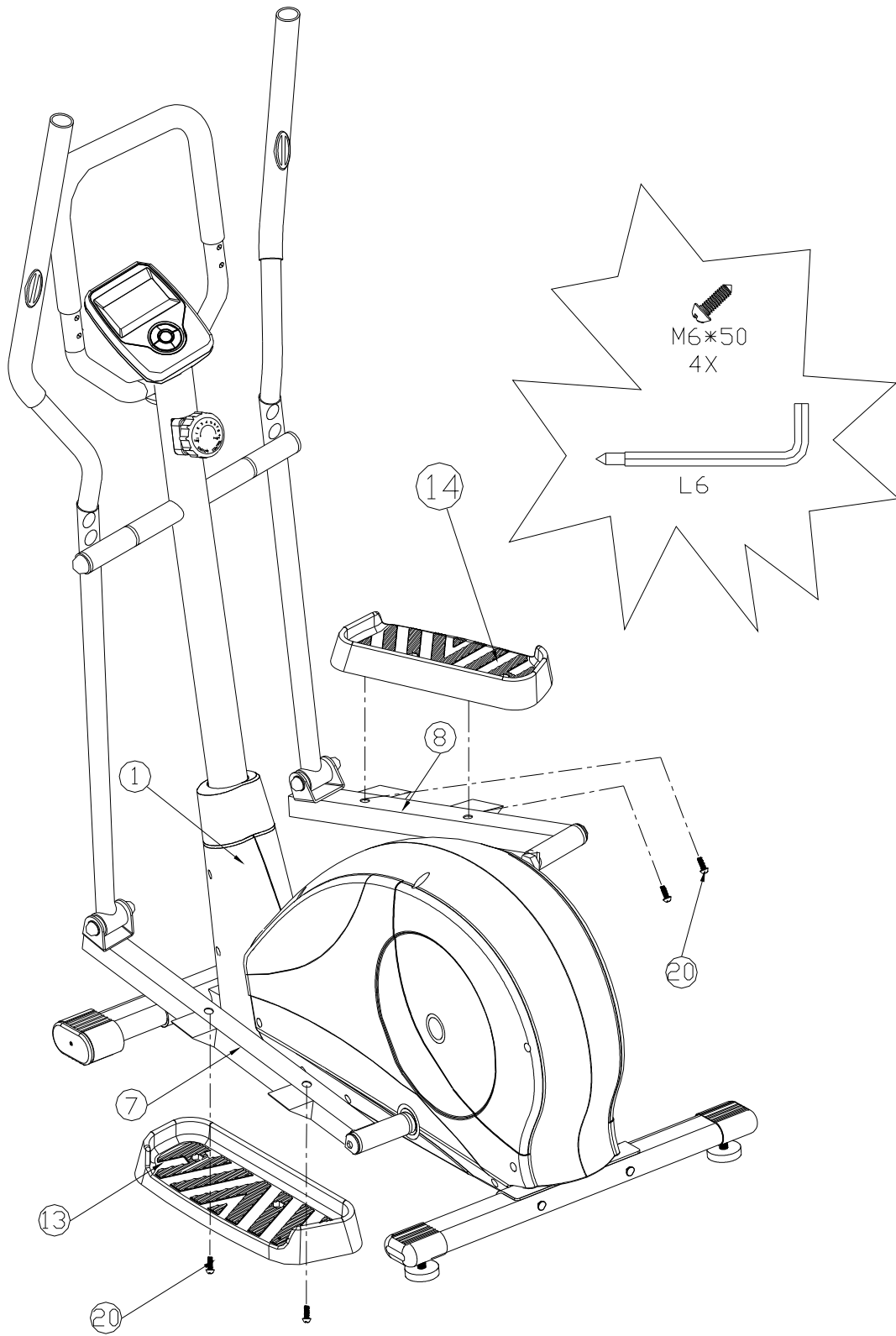




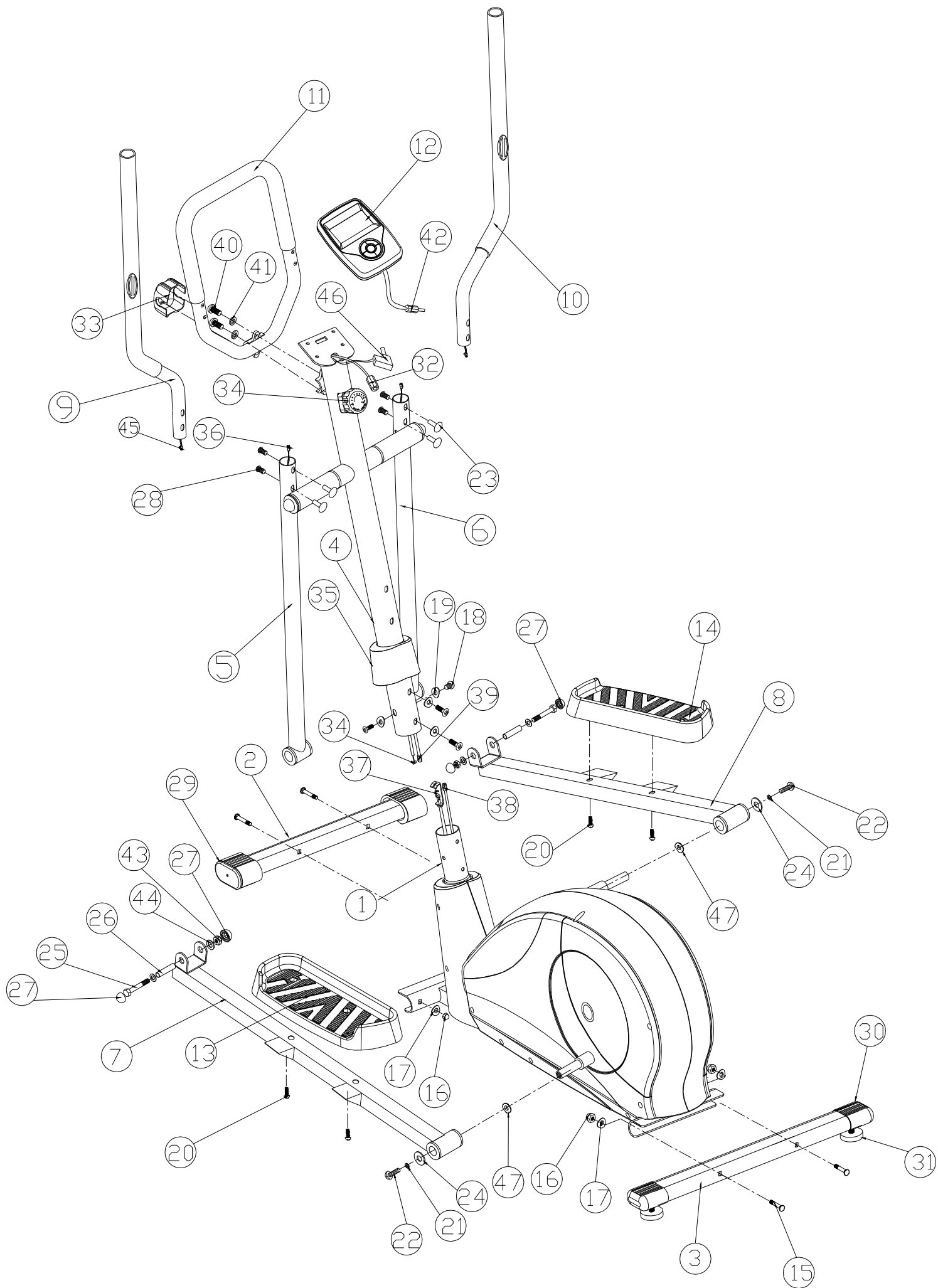
- M10\*70  
2X
- 2X
- M10  
2X
- Ø10.5\*Ø25\*T1.5  
4X
- 4X
- 4X













**Woelflistrasse 2  
CH – 3006 Bern  
Switzerland**

© Copyright ENERGETICS 2010