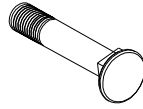


E ***ENERGETICS***

ET 4.5 POWER MAGNETIC



15 M10*92



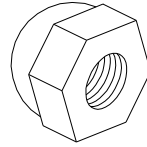
4PCS

17 10.5* 25*T1.5



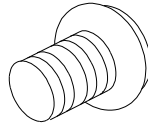
4PCS

16 M10



4PCS

18 M8*15



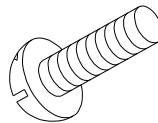
4PCS

19 8.5* 22*T1.5



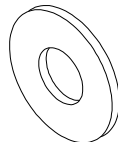
4PCS

22 M10*20



2PCS

24 10* 28*T2



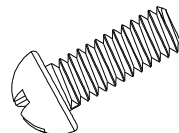
2PCS

21 10.5



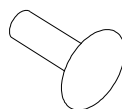
2PCS

20 M6*50



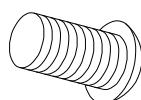
4PCS

23 M6* 8*26



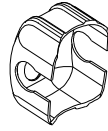
4PCS

28 M6*15



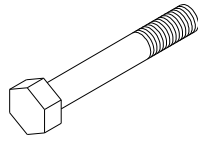
4PCS

33



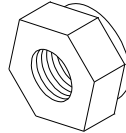
1PC

25 M10*70



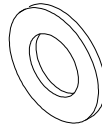
2PCS

43 M10



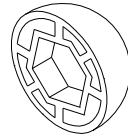
2PCS

44 10.5* 25*T1.5



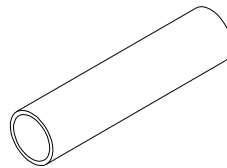
4PCS

27 M10



4PCS

26 12.7*T1.0*55



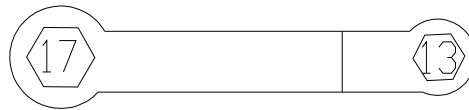
2PCS

L6



1PC

L13~L17



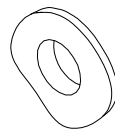
2PCS

L4

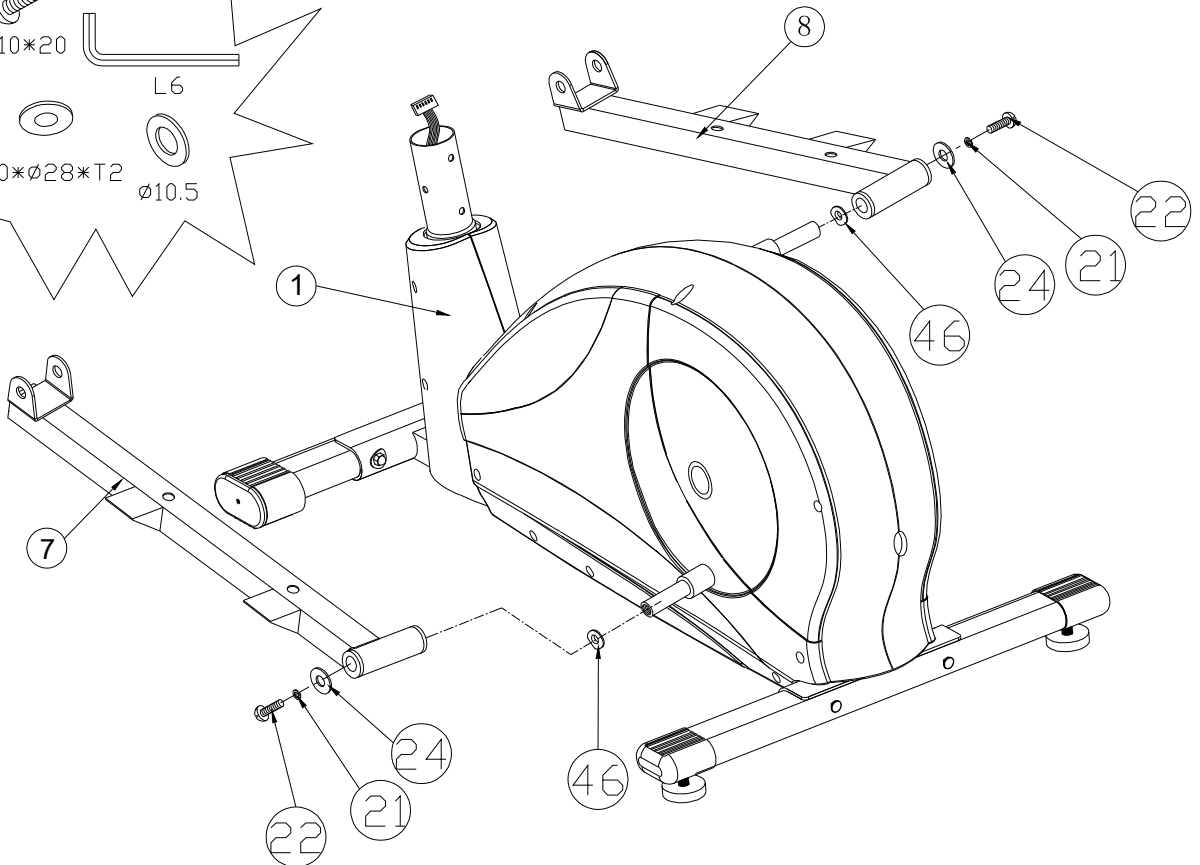
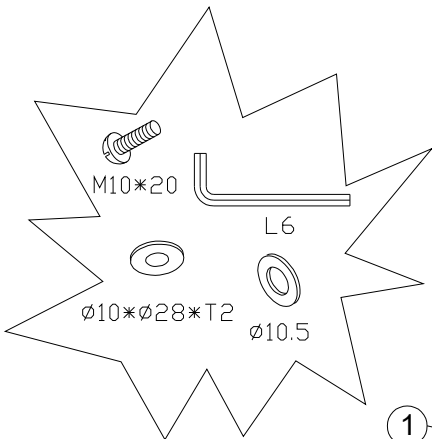
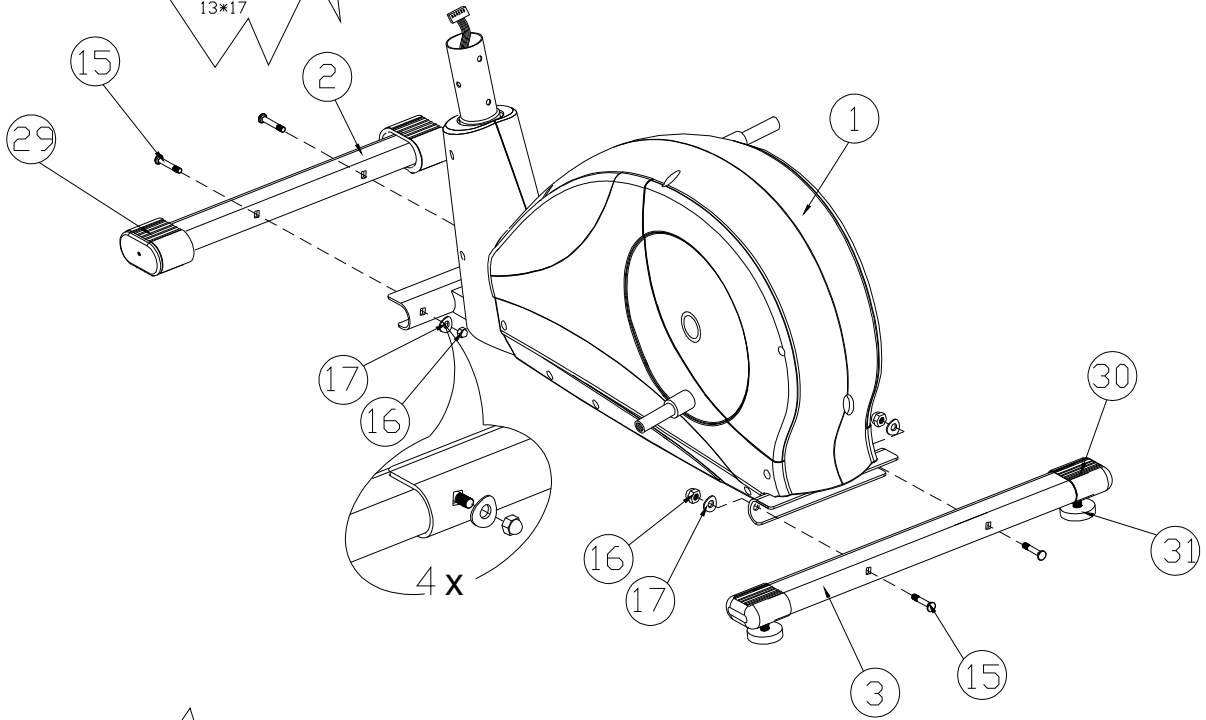
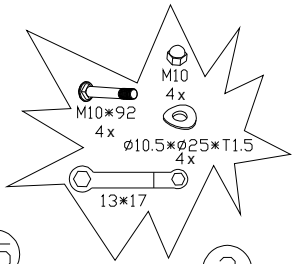


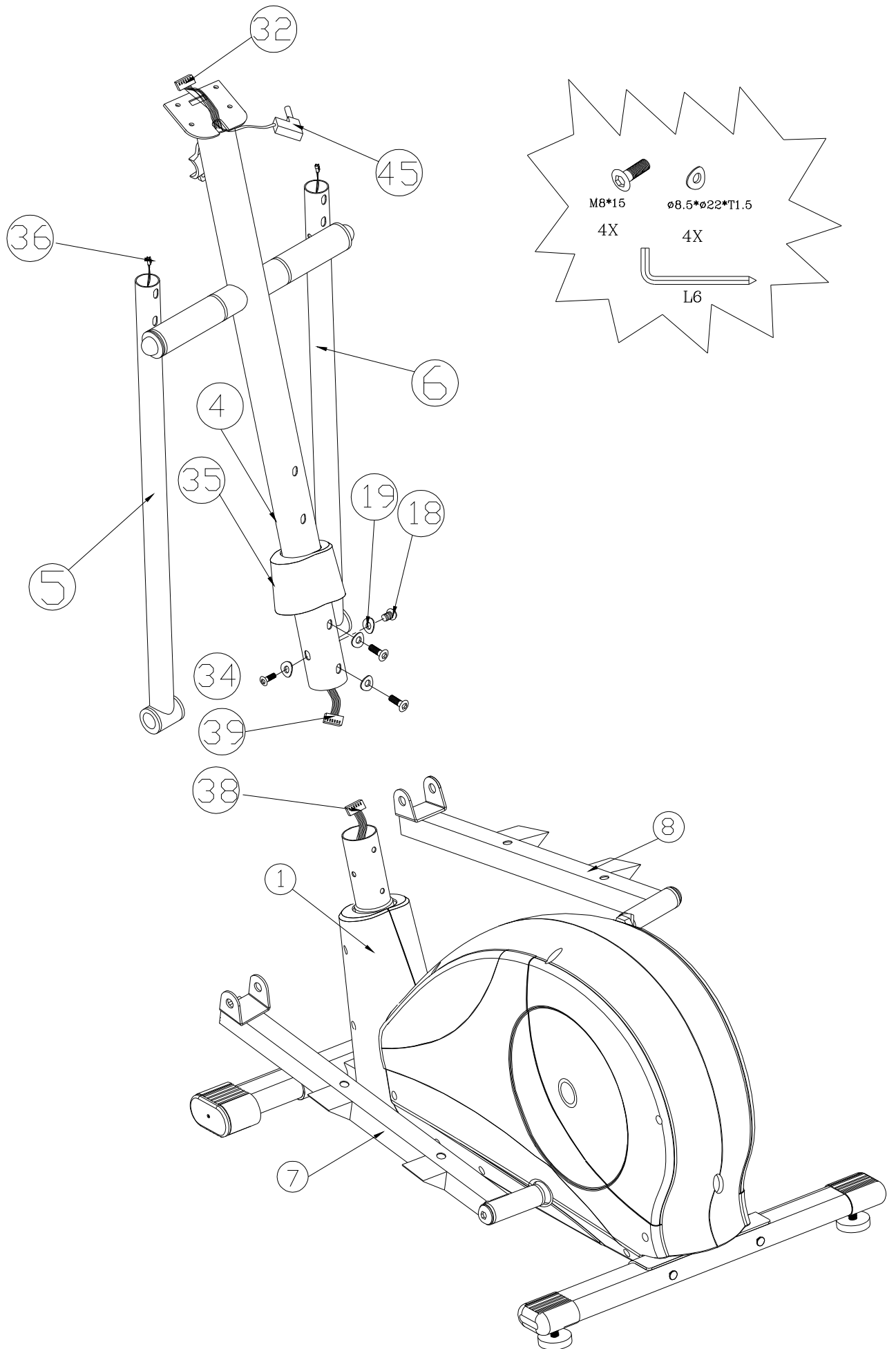
1PC

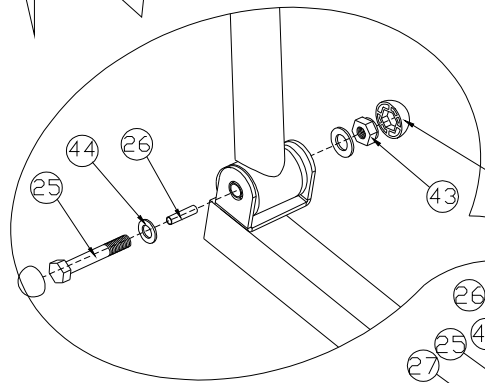
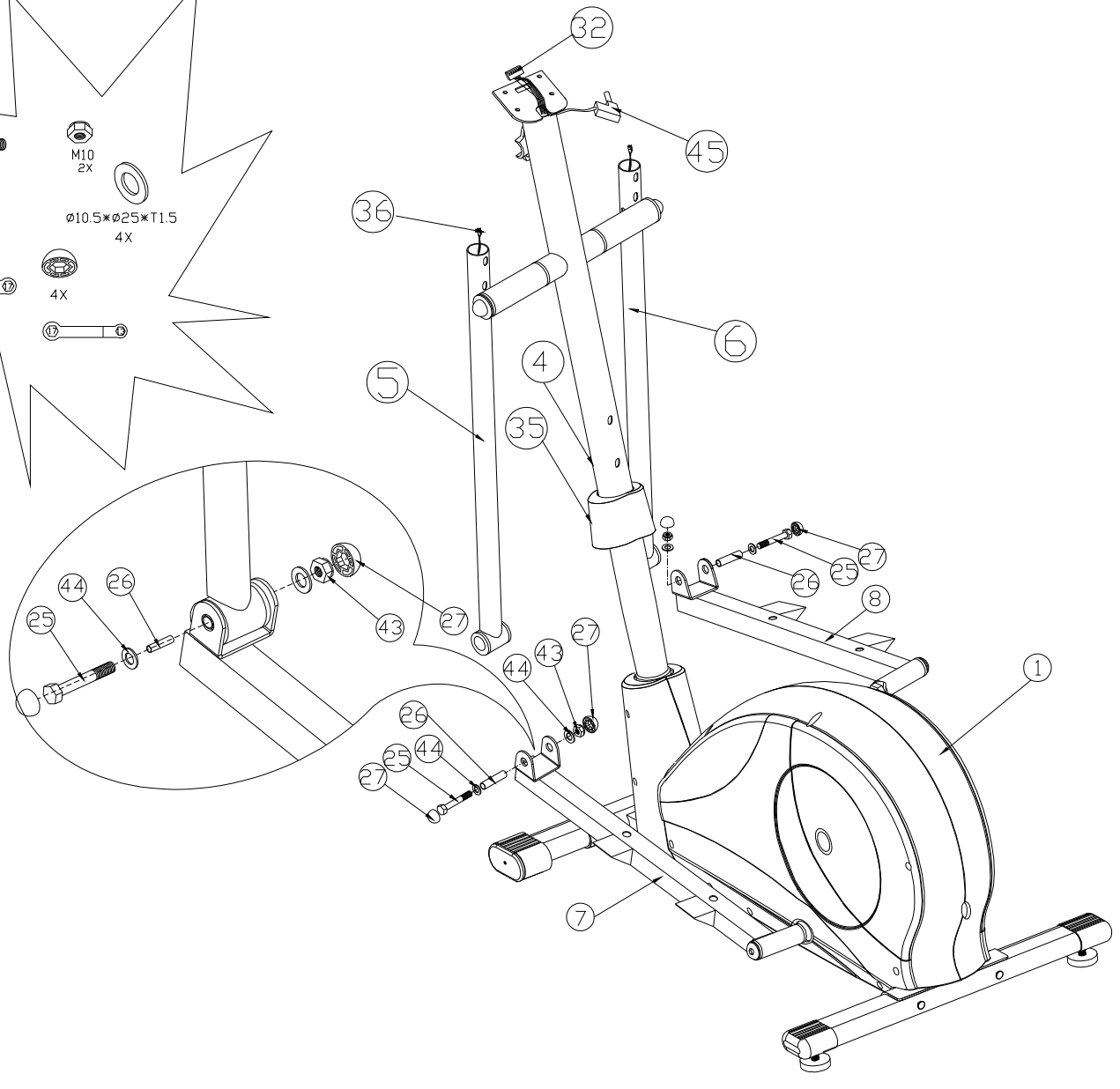
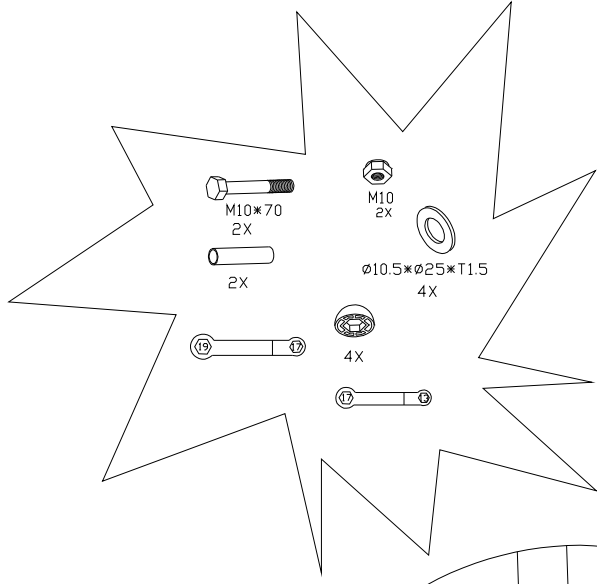
46 $\Phi 21.4 * \Phi 16 * t 0.3$

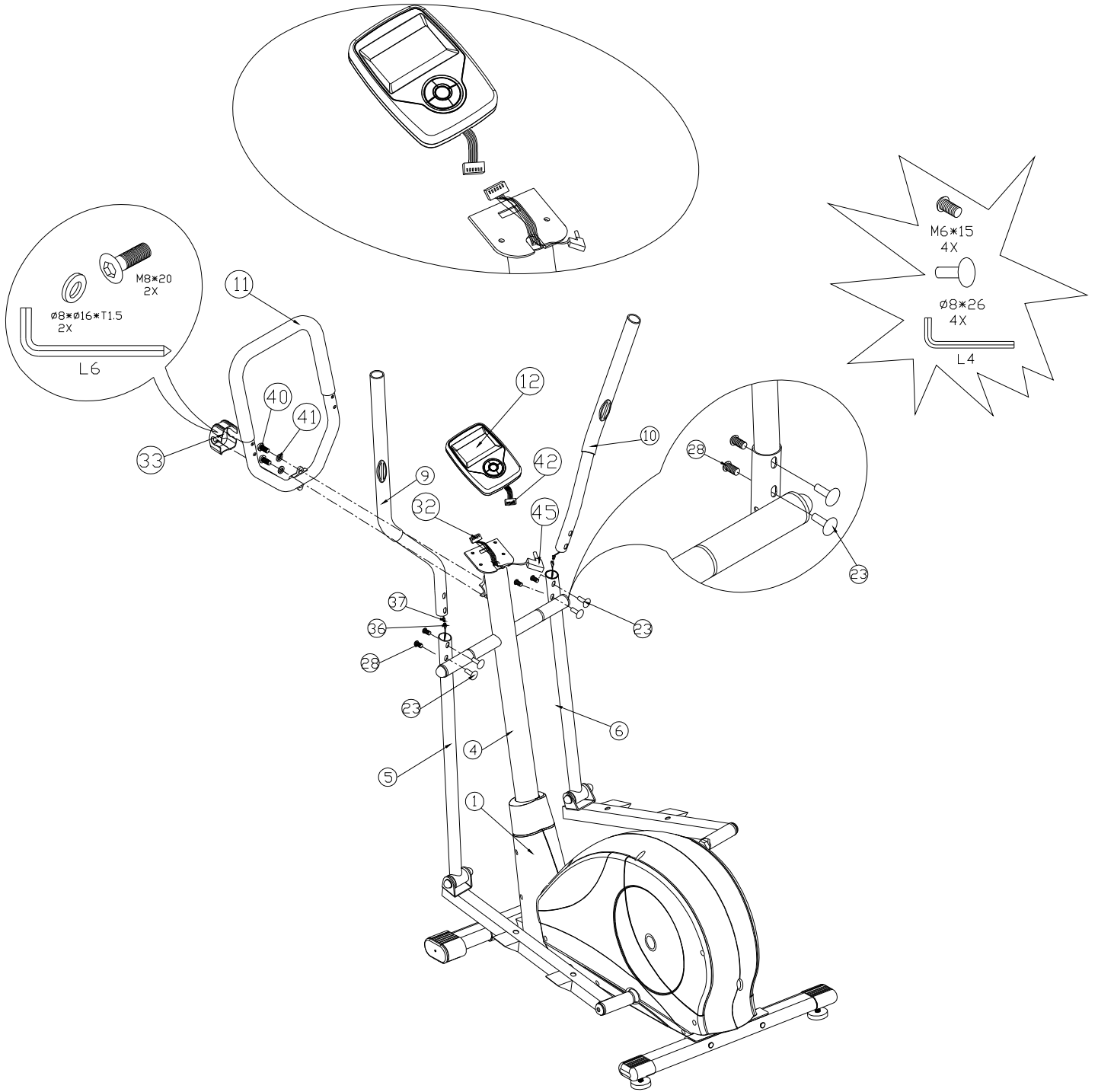


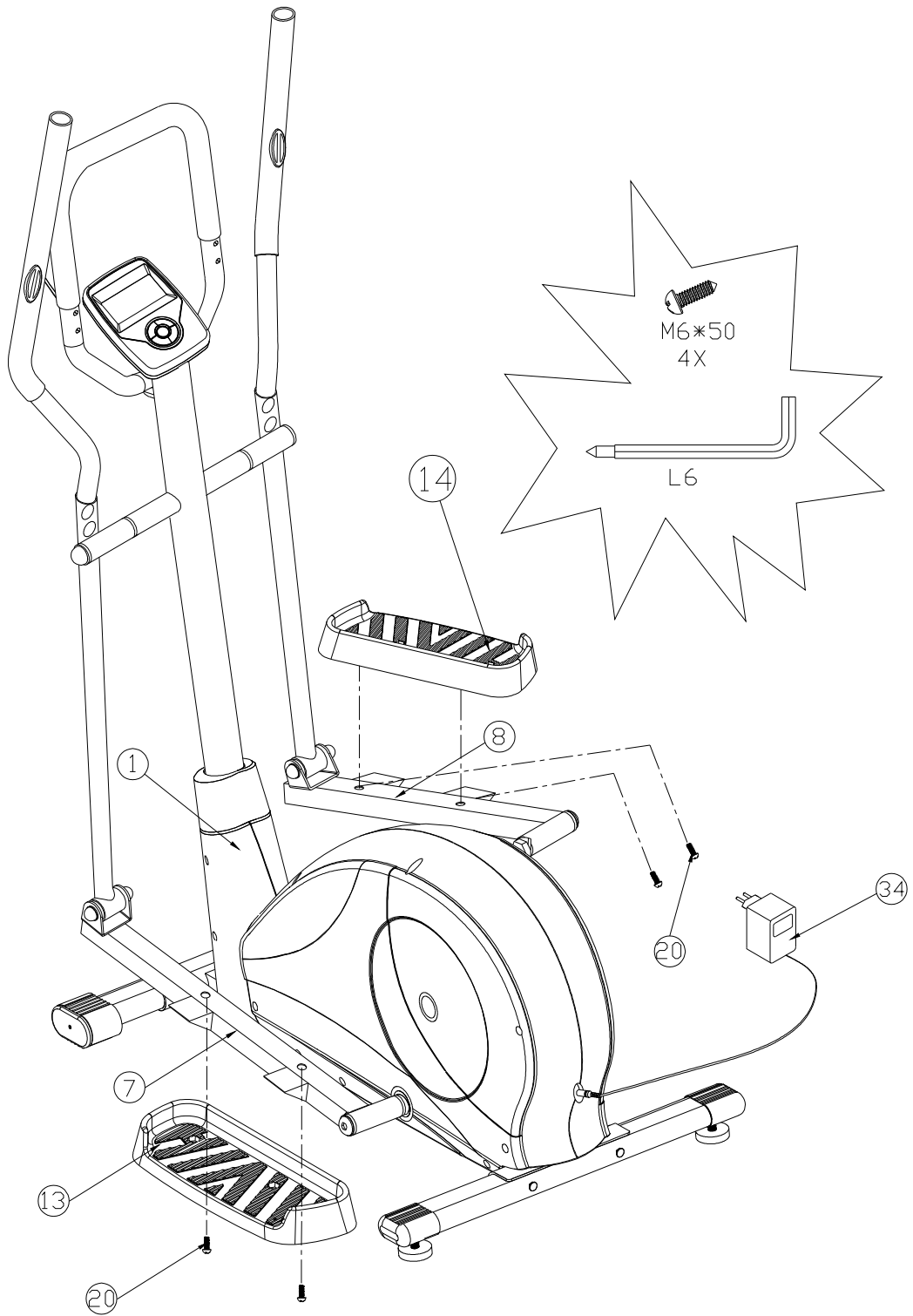
2PCS

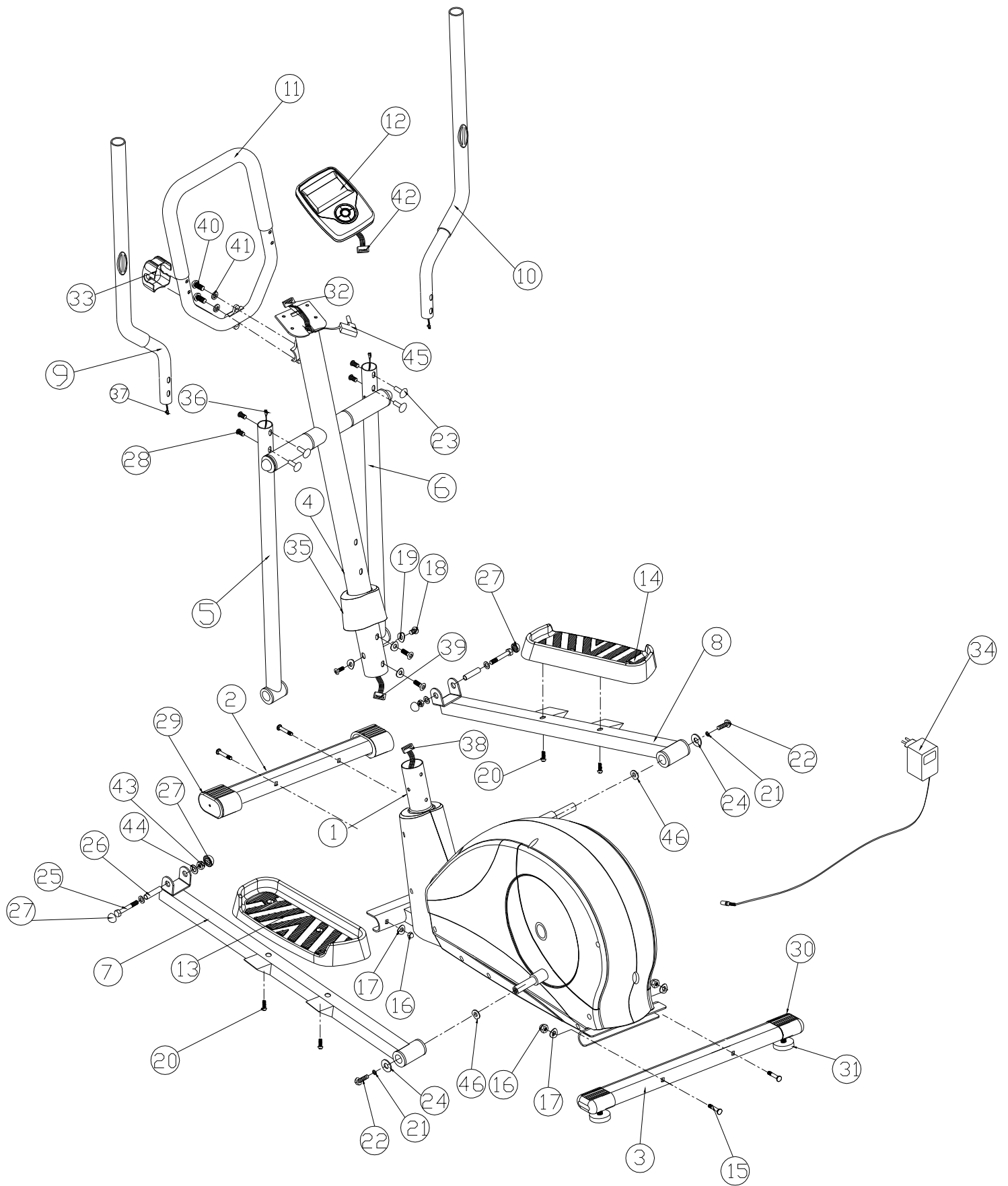


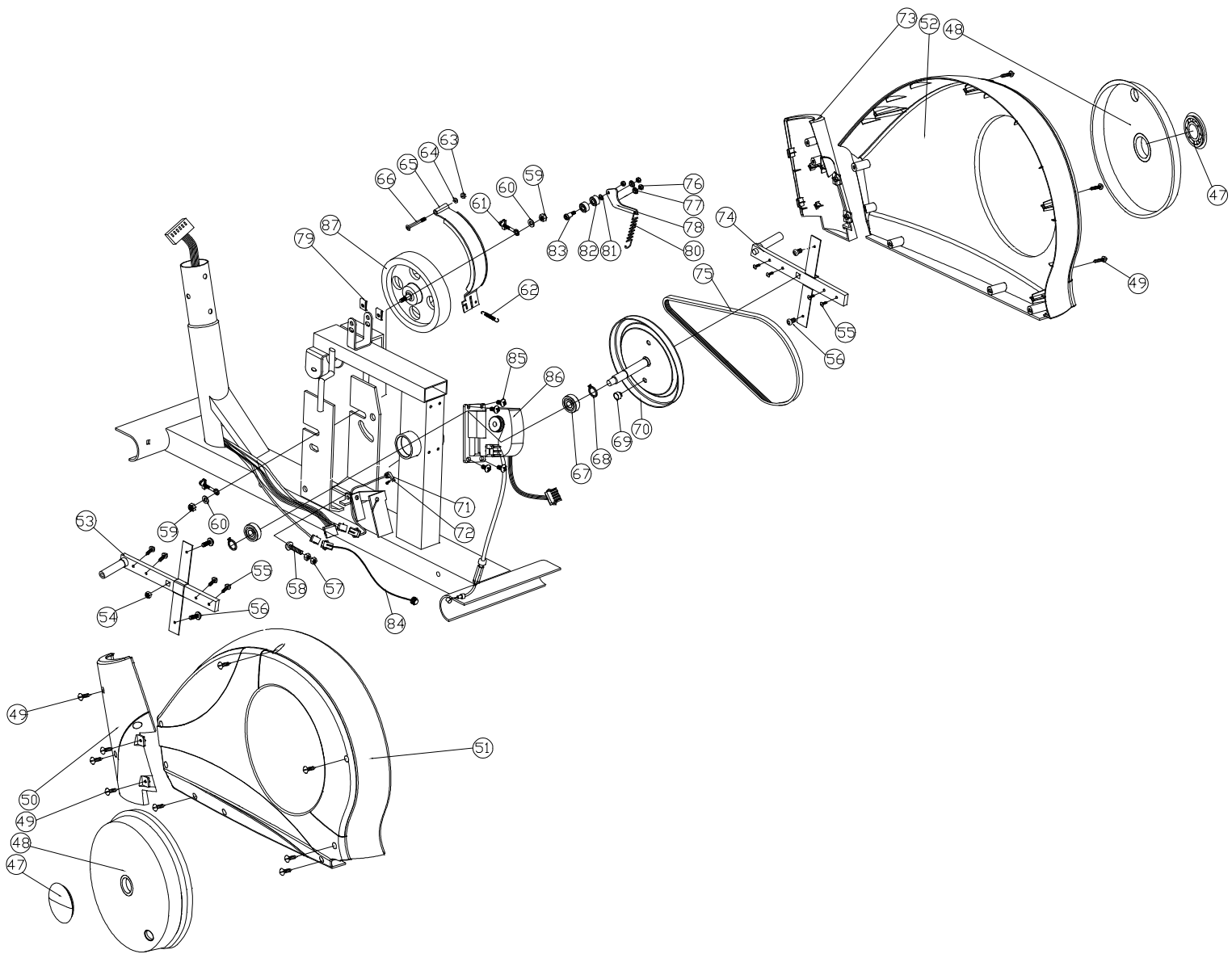














**Woelflistrasse 2
CH-3006 Bern
Switzerland**

© Copyright ENERGETICS 2010