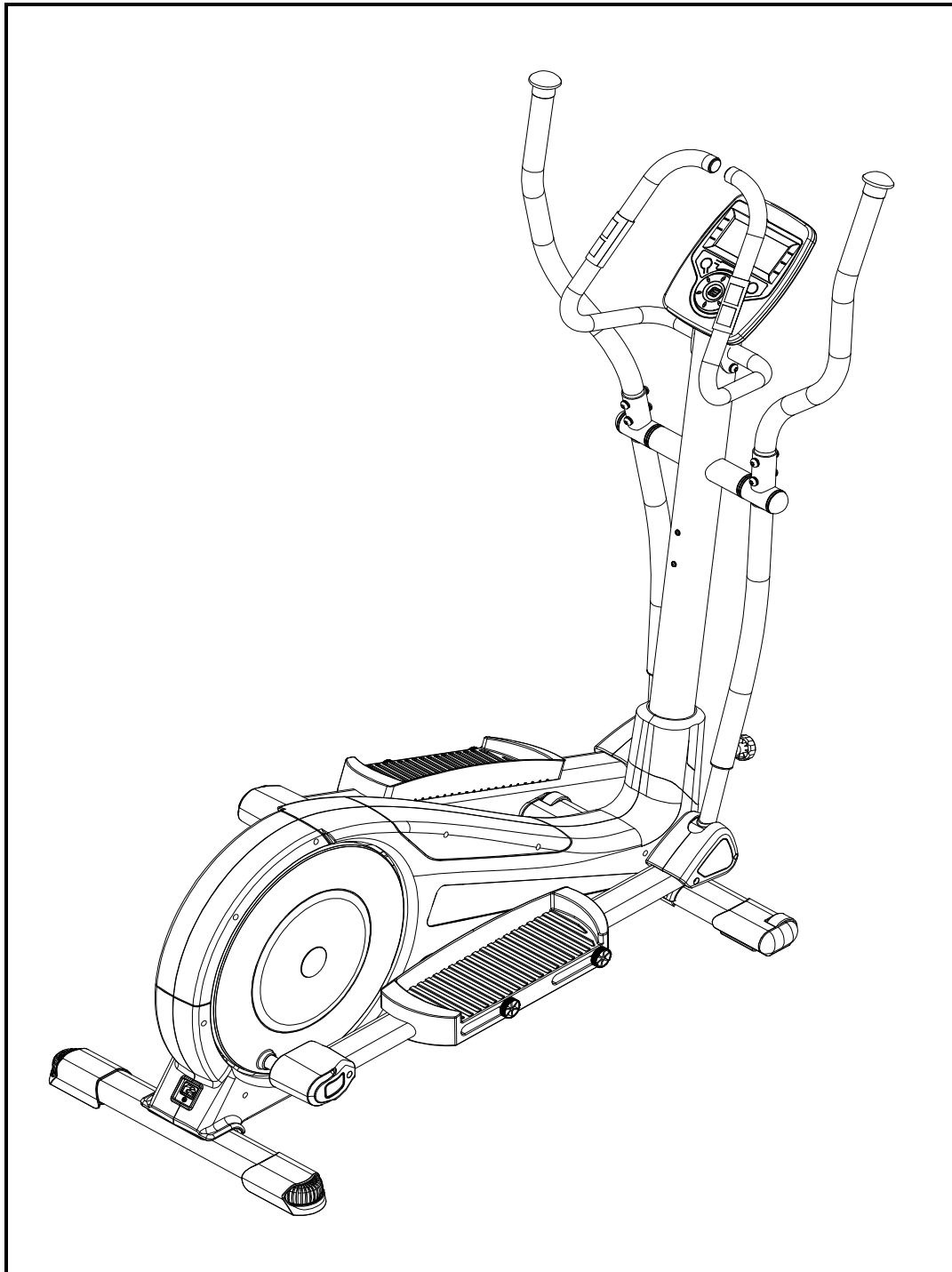
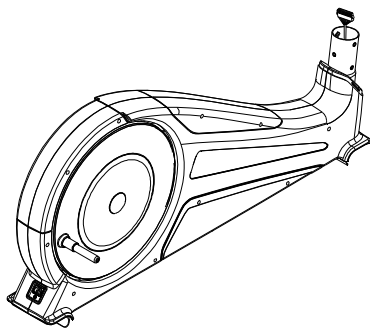


E ***ENERGETICS***

ET 9.1 ERGOMETER

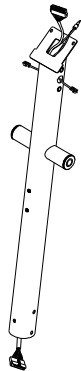


Base Frame



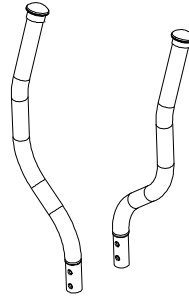
1x

Upright Tube Weldment



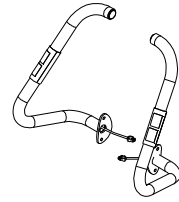
1x

Upper Swivel Handle Bar(L&R)



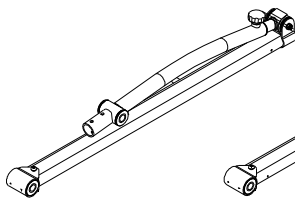
1x

Fix Handlebar(L&R)



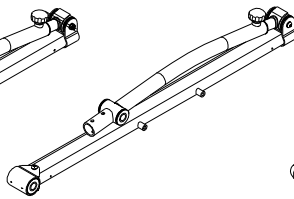
1x

Foot Portfolio(L)



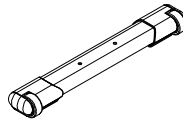
1x

Foot Portfolio(R)



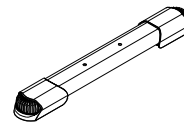
1x

Front Foot



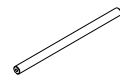
1x

Rear Foot



1x

Axle Support



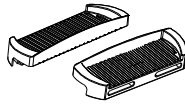
1x

Power Cord



1x

Pedal



1x

Computer



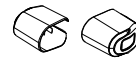
1x

Pedal Front Cover(L&R)



2x

Pedal Rear Cover

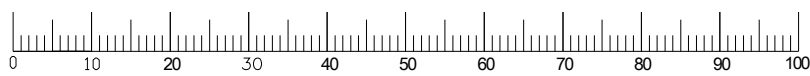


1x

Front Post Cover

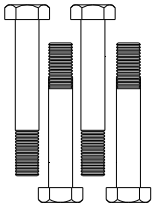


1x

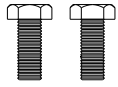


MILLIMETERS

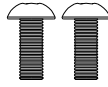
M8x53/4P



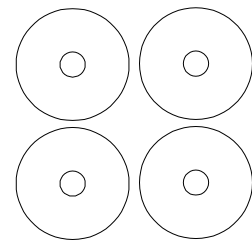
M8x20/2P



M8x20/2P



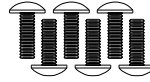
M8x38/4P



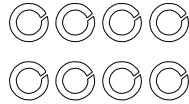
M4x16/2P



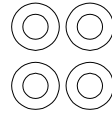
M5x15/6P



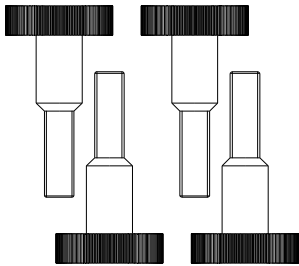
M8/8P



M8x16/4P



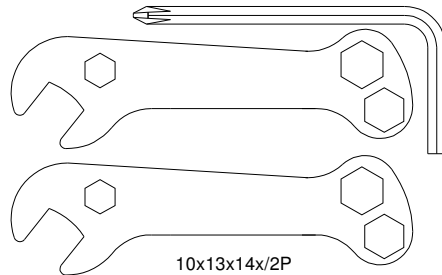
O36*M10/4P



13*13/2P

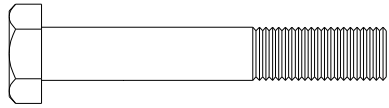


M6/1P



10x13x14x/2P

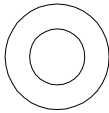
1



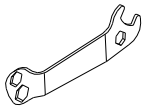
M8x53/2P



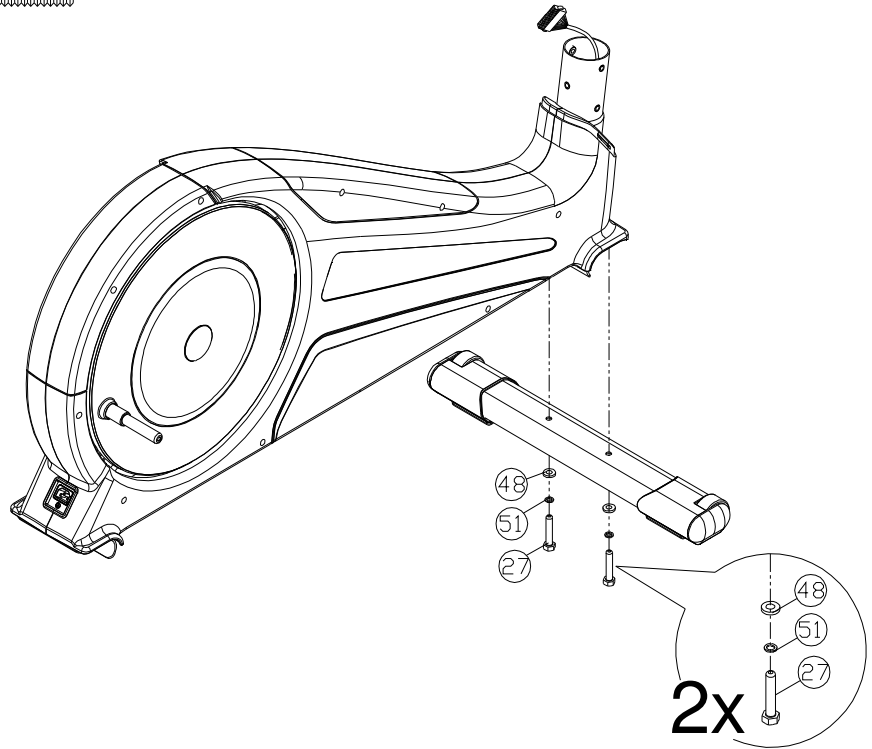
M8/2P



M8x16/2P



10x13x14x15



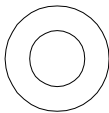
2



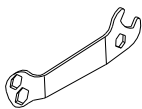
M8x53/2P



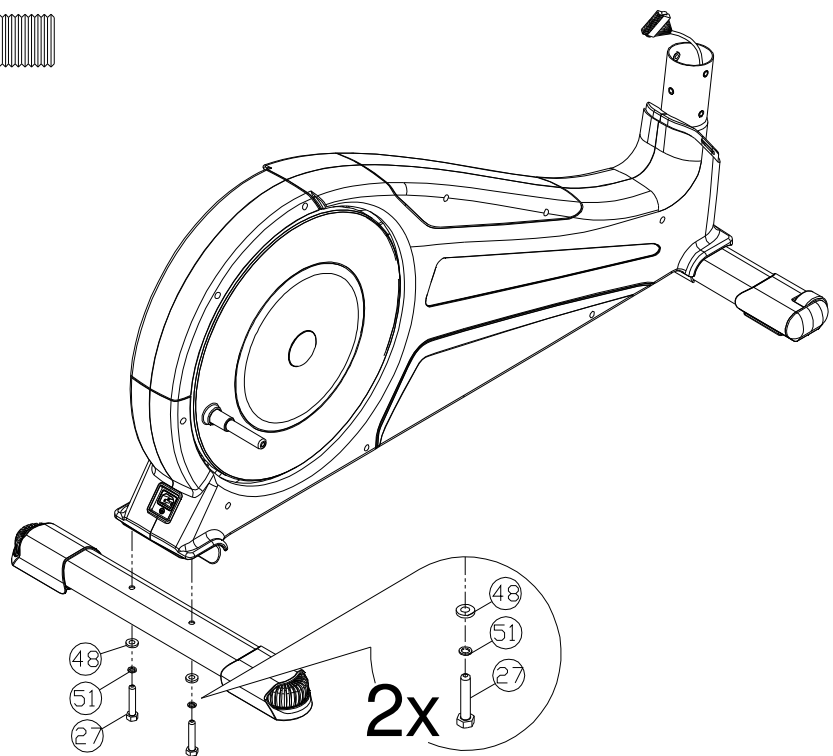
M8/2P



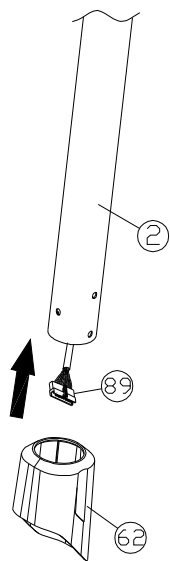
M8x16/2P



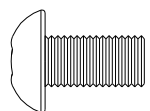
10x13x14x15



3



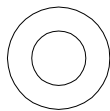
4



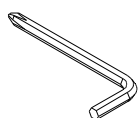
M8x15/6P



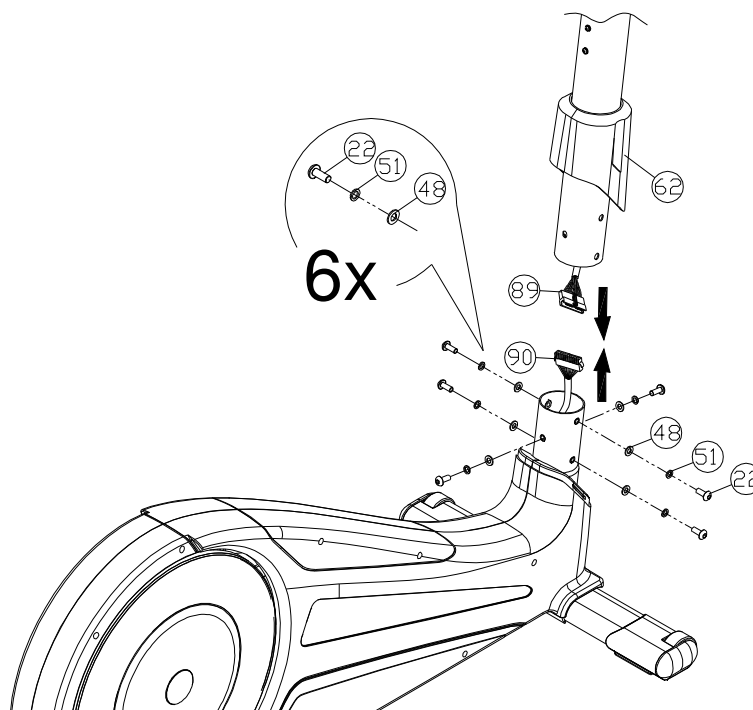
M8/6P



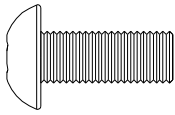
M8x16/6P



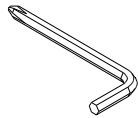
M6



5



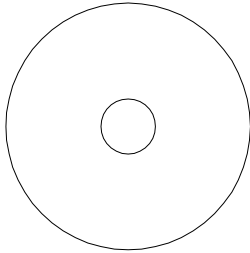
M8x20/2P



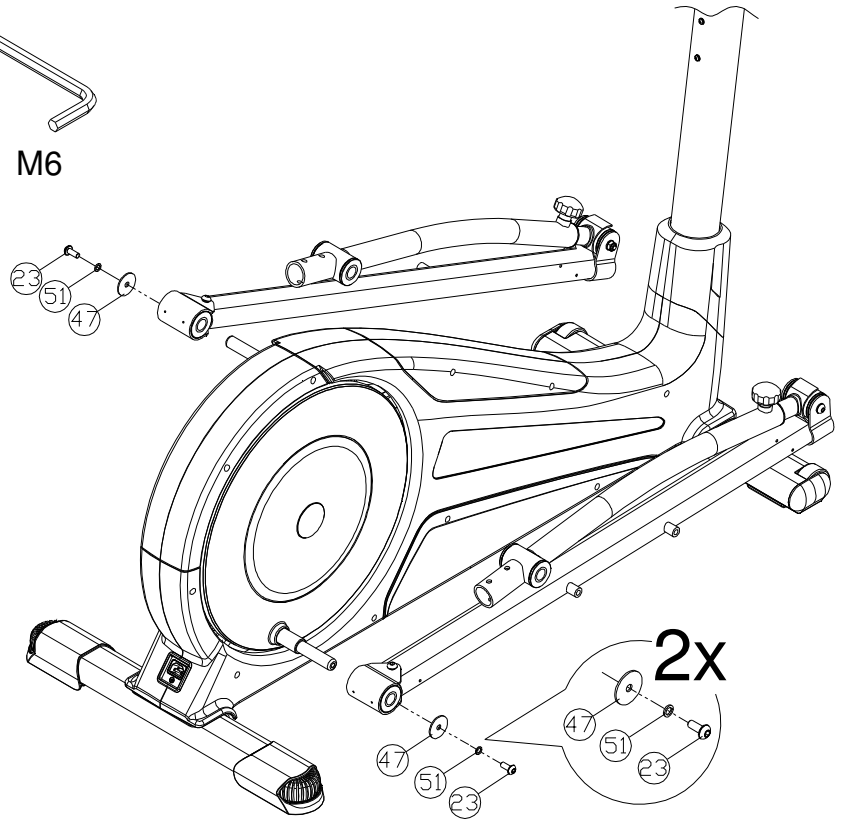
M6



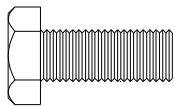
M8/2P



M8x38/2P



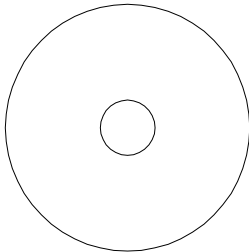
6



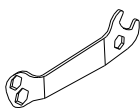
M8x20/2P



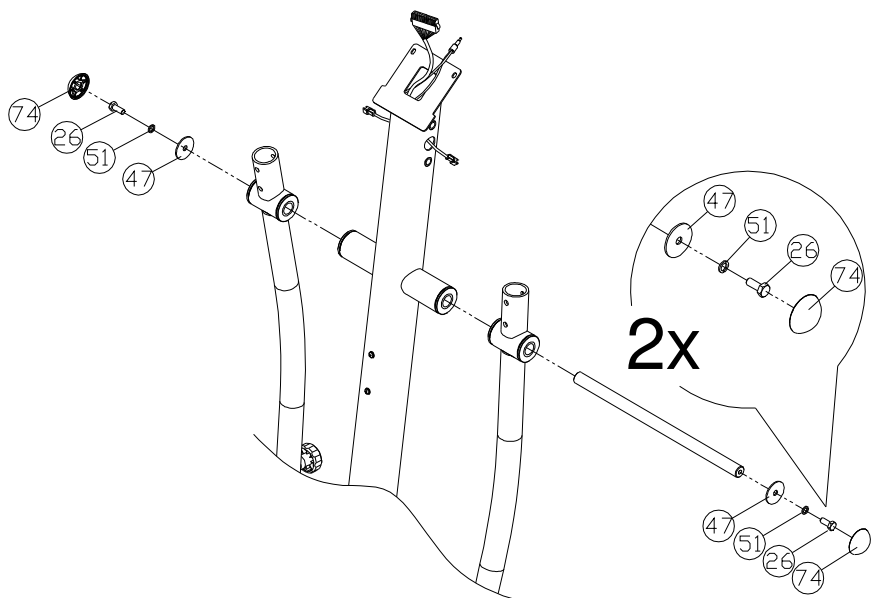
M8/2P

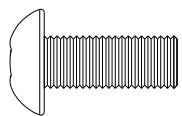


M8x38/2P

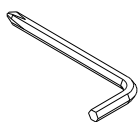


10x13x14x15





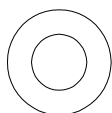
M8x20/8P



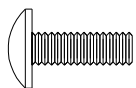
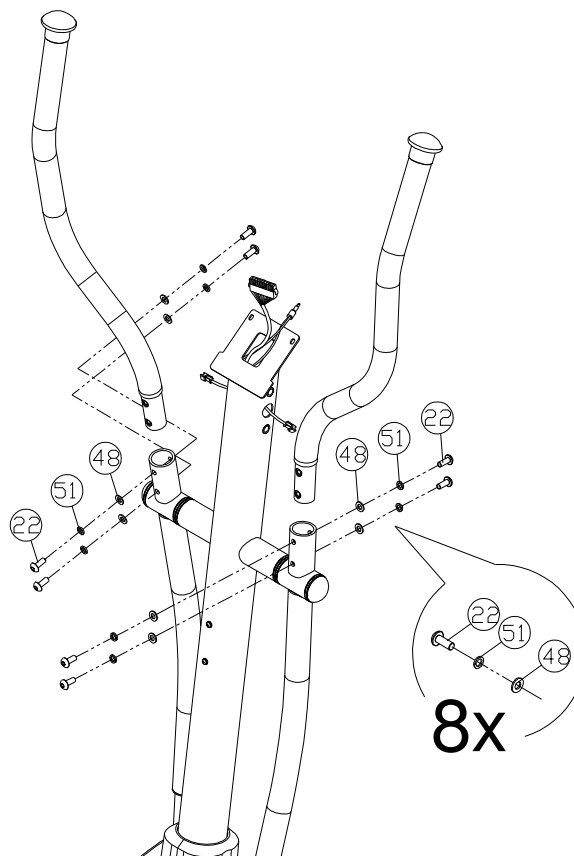
M6



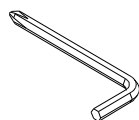
M8/8P



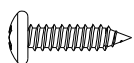
M8x16/8P



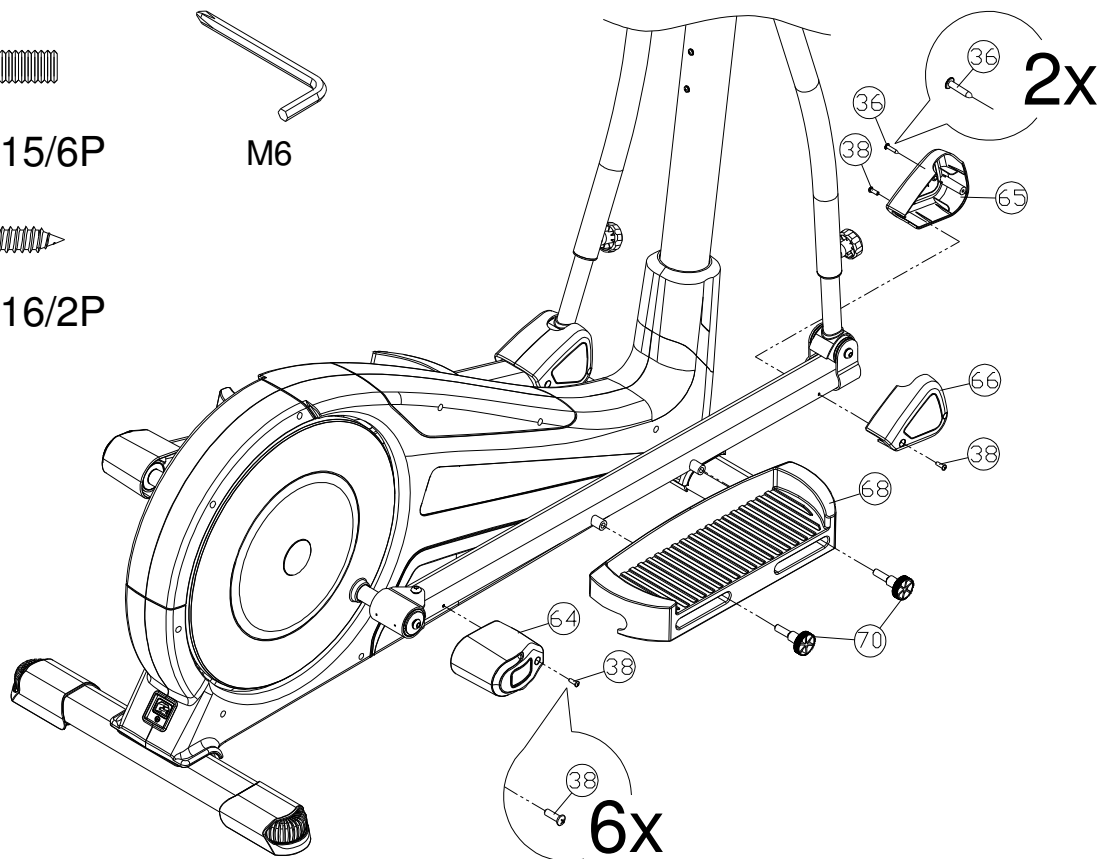
M5x15/6P

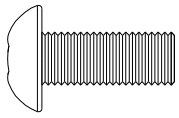


M6



M4x16/2P

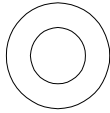




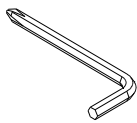
M8x20/4P



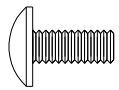
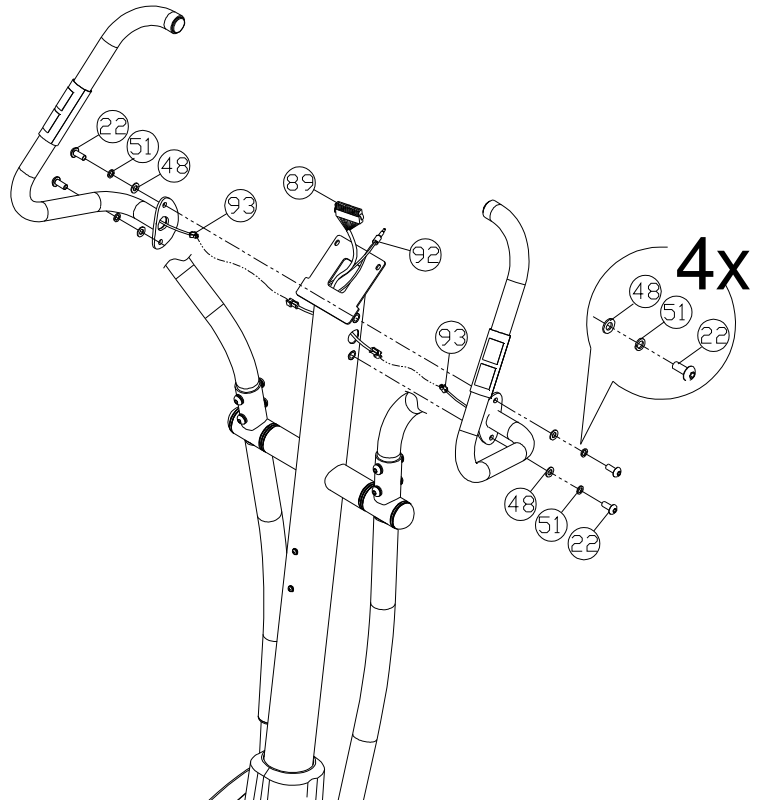
M8/4P



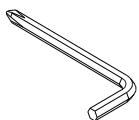
M8x16/4P



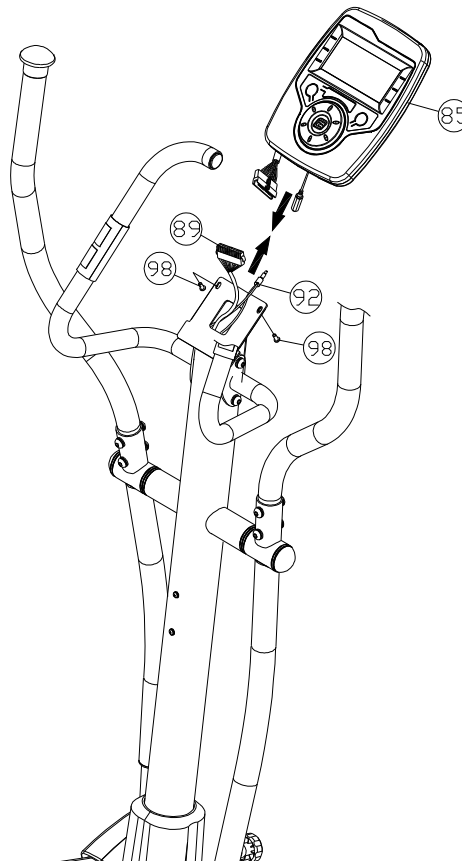
M6



M5x12/2P

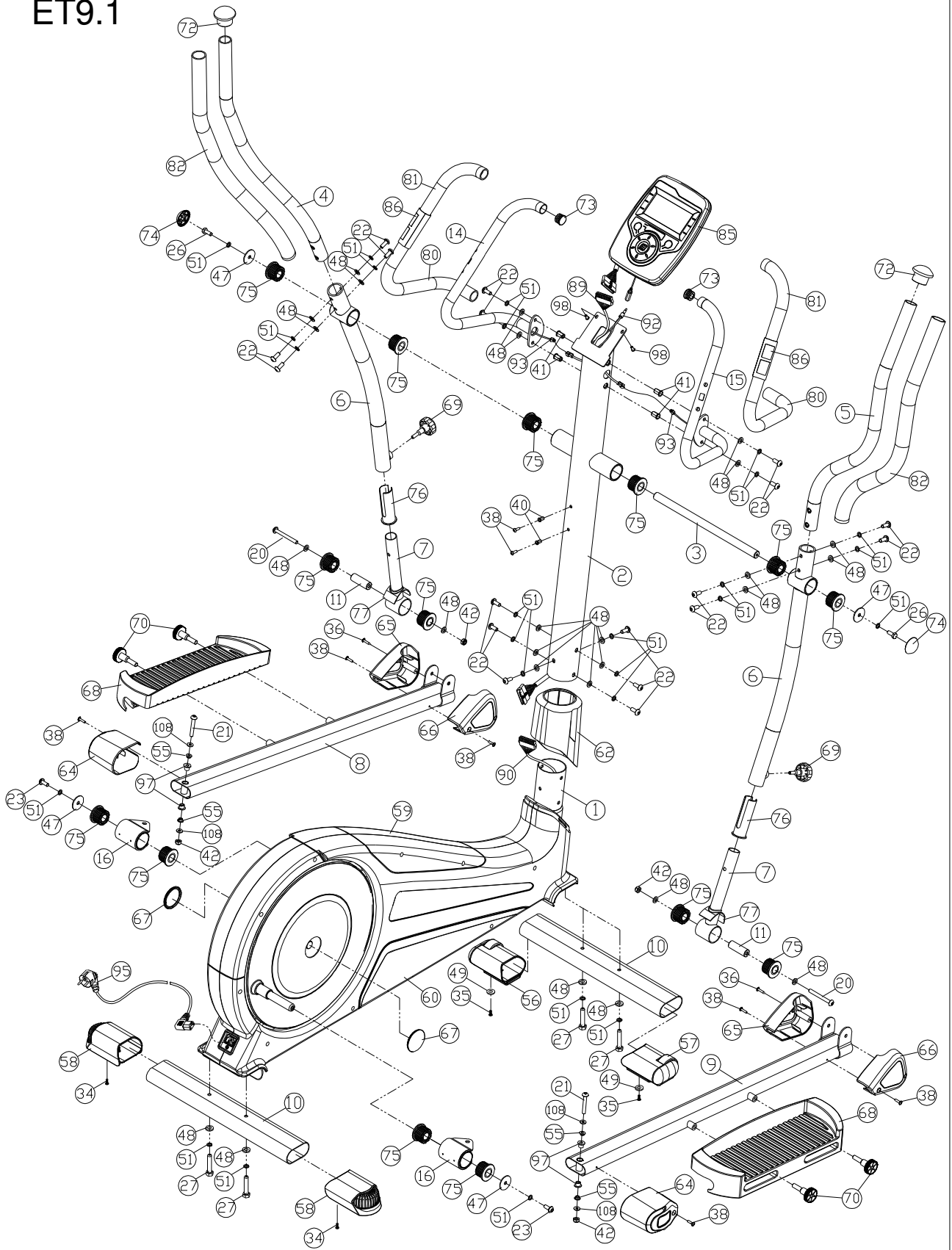


M6

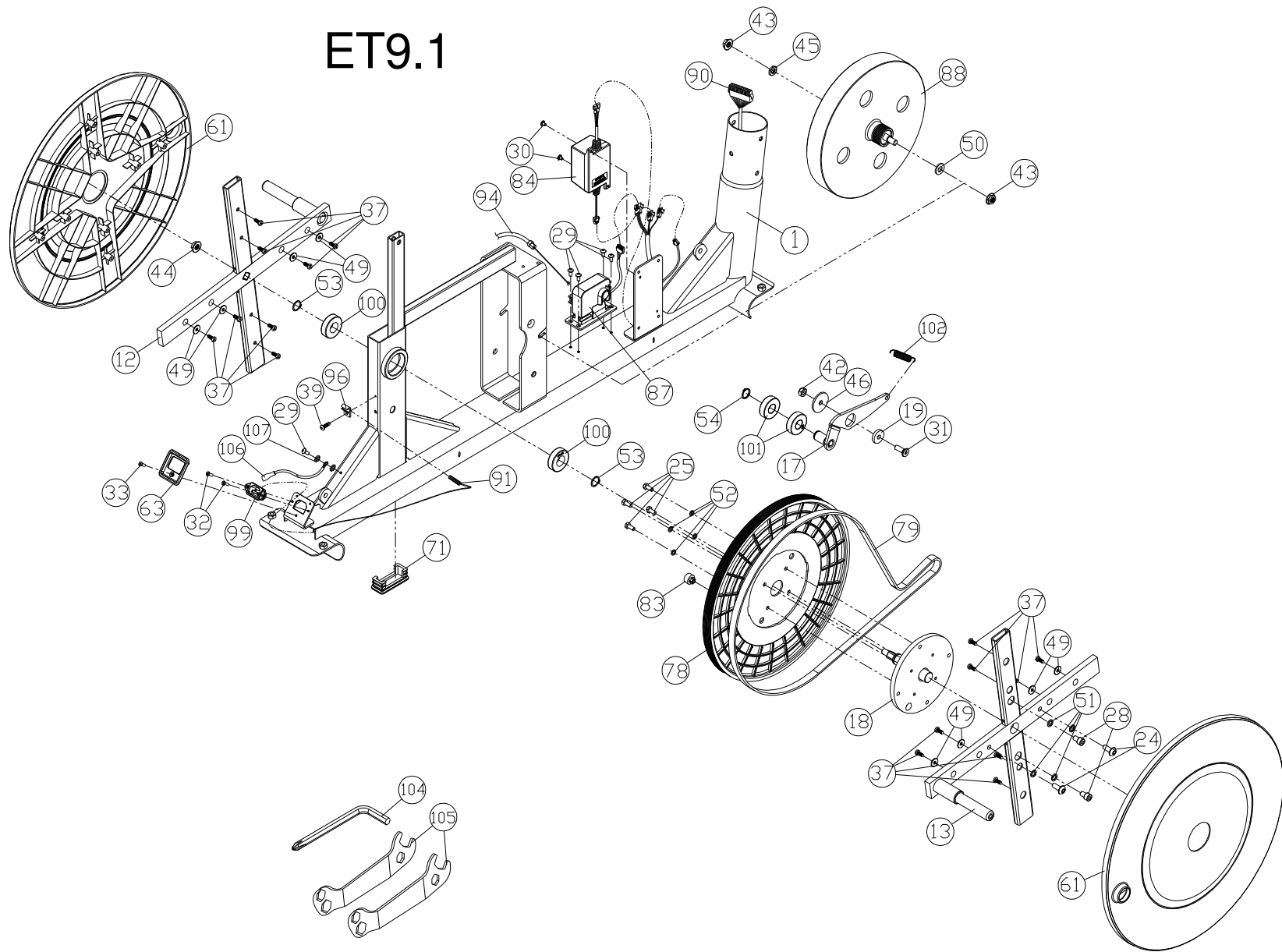


Explosion Drawings

ET9.1



ET9.1





**Woelflistrasse 2
CH-3006 Bern
Switzerland**

© Copyright ENERGETICS 2010