

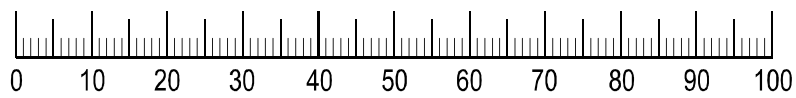
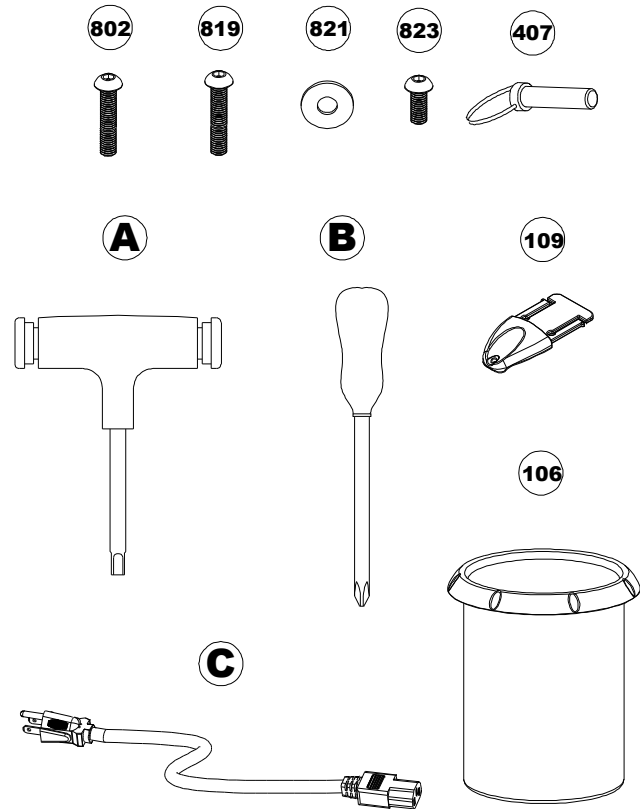
 **ENERGETICS**

POWER RUN 4.0




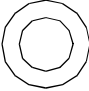

HARDWARE COMPARISON CHART

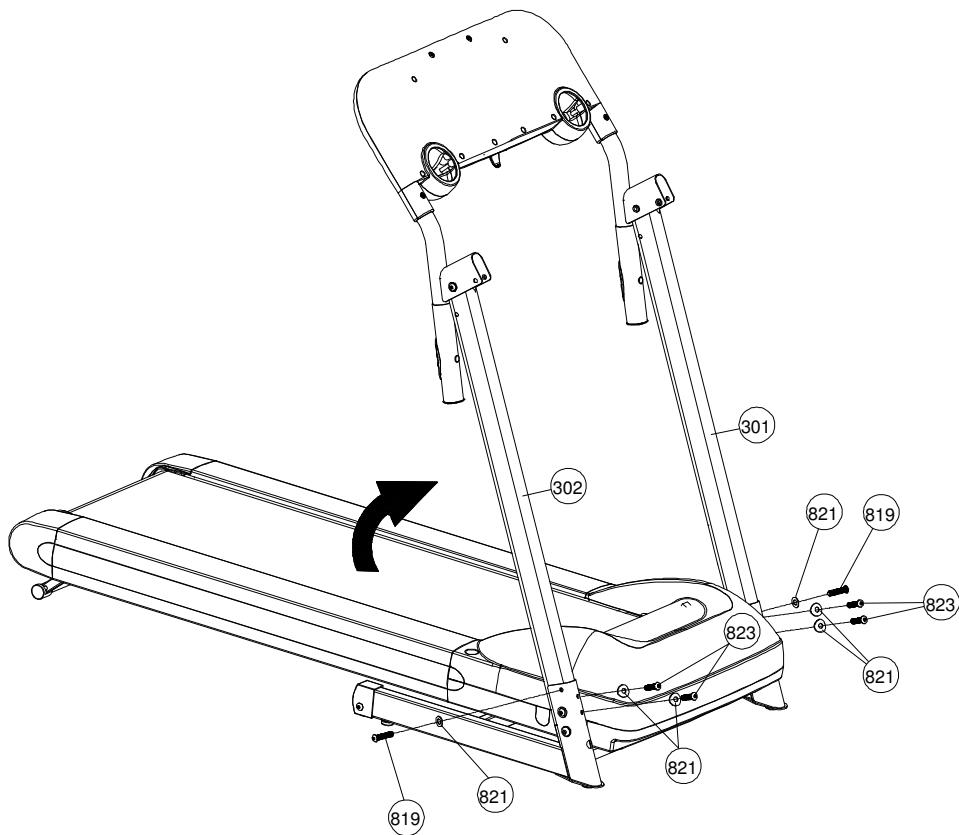
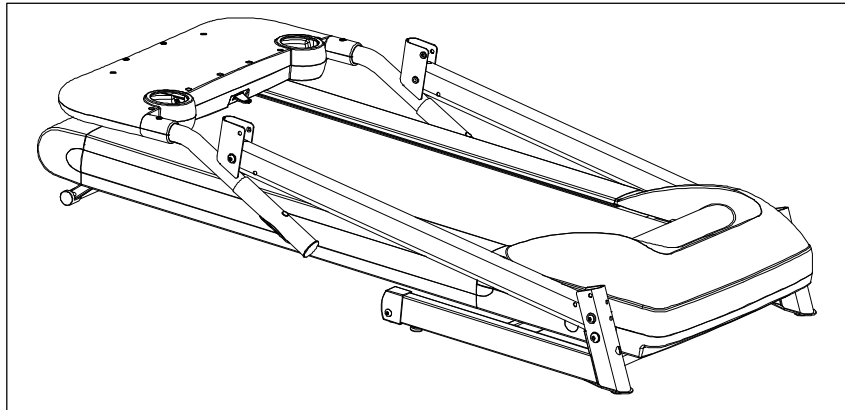
No.	Description	Qty.
106	Water Bottle Holder	2
407	Lock Pin	1
109	Safety Key	1
802	M8 x41mm Bolt	2
819	M8 x43mm Bolt	2
821	Φ8 Washer	8
823	M8 x18mm Bolt	4
A	Allen Wrench 6mm	1
B	Phillips Head Wrench	1
C	Power Cord	1




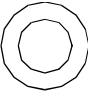
MILLIMETERS

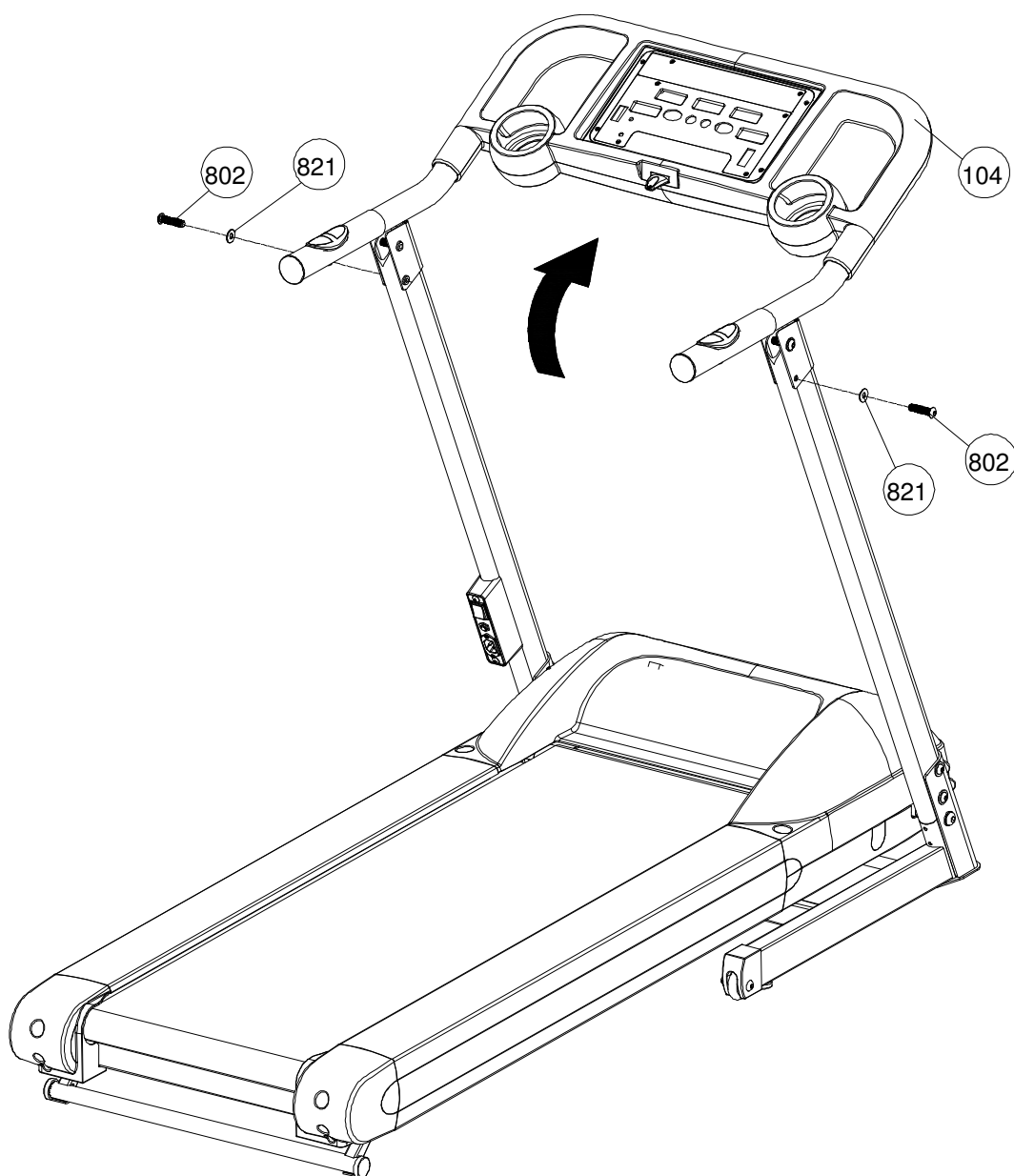
step-1

819	X2	
821	X6	
823	X4	

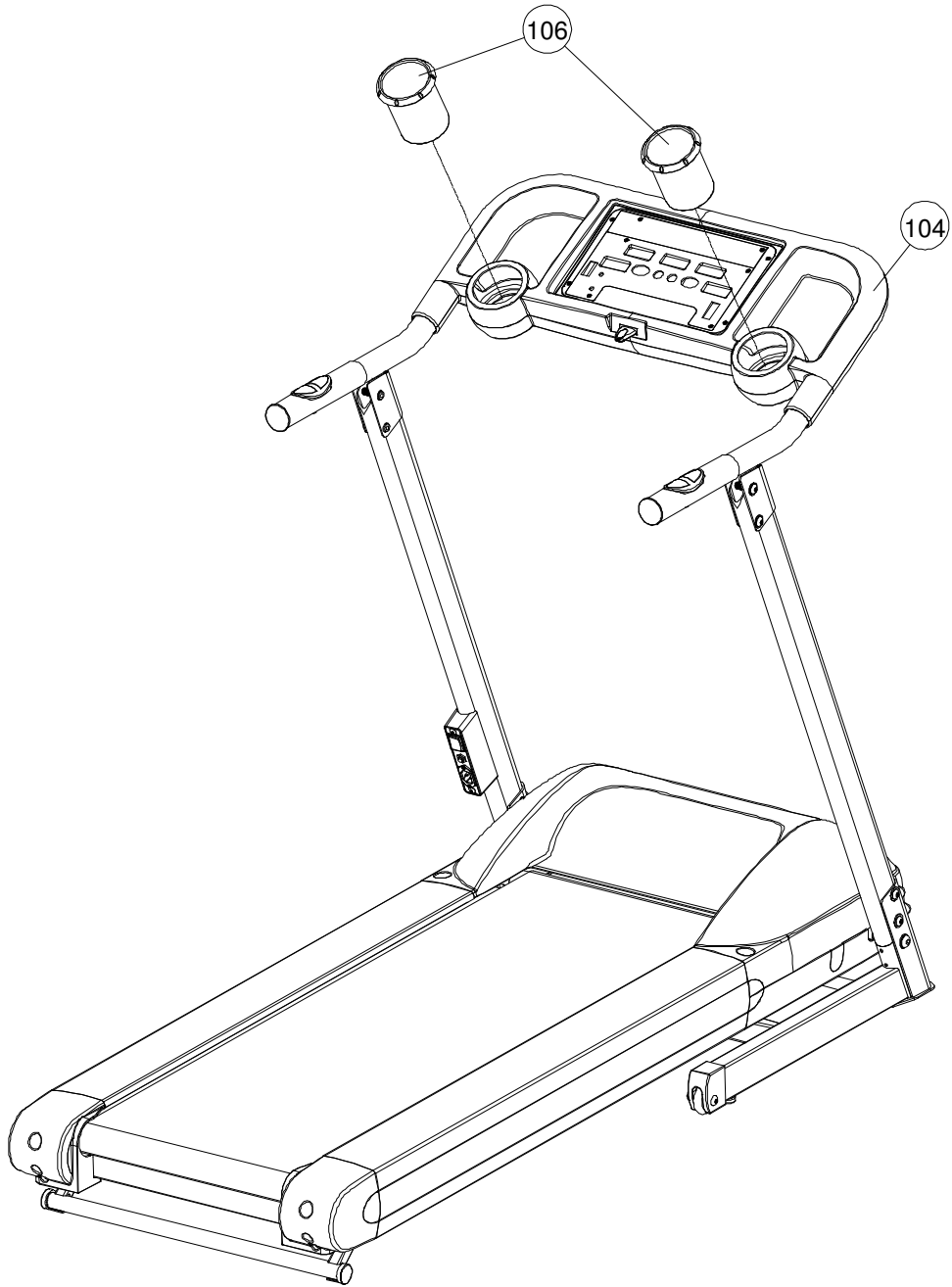
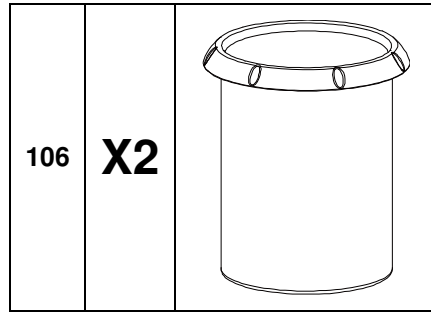


step-2

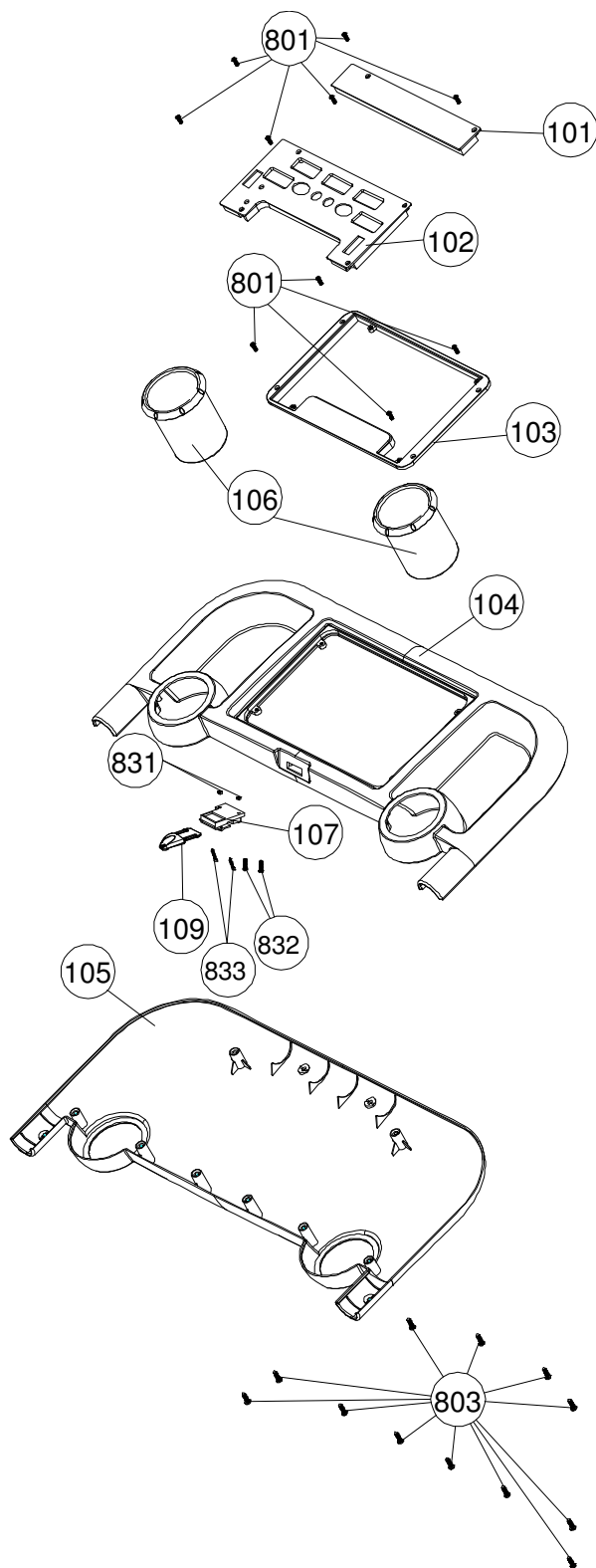
802	X2	
821	X2	



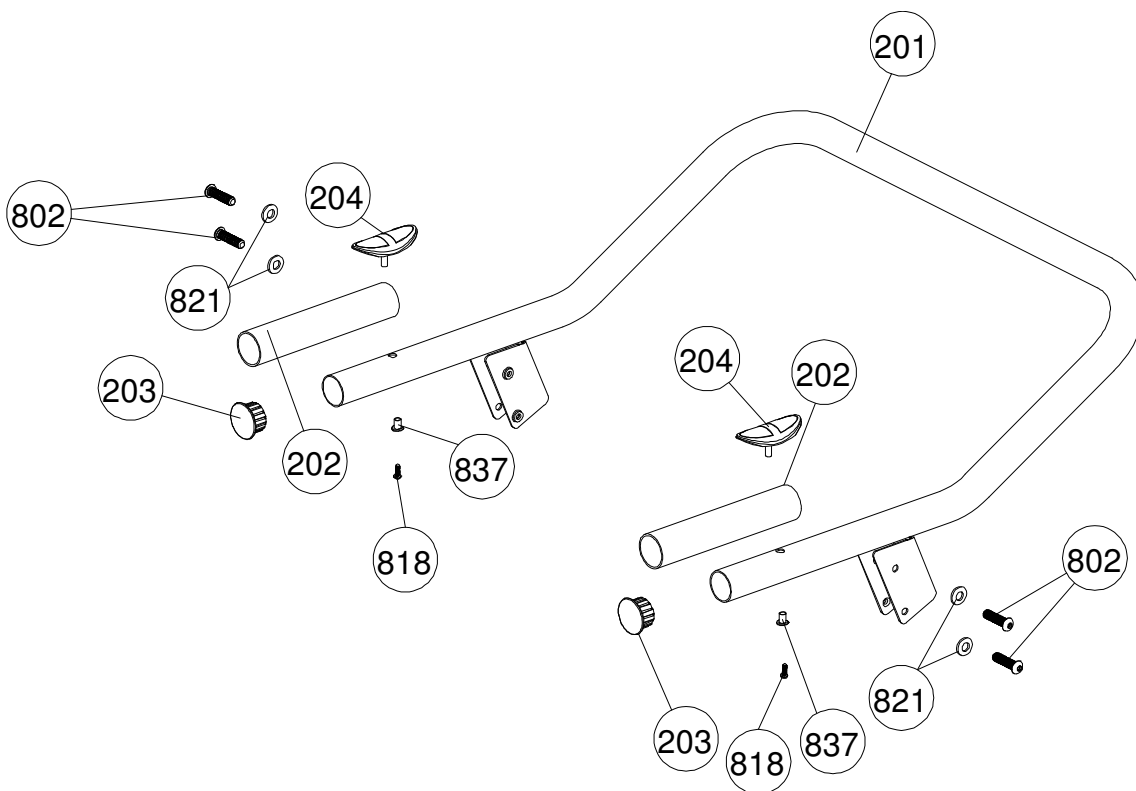
step-3



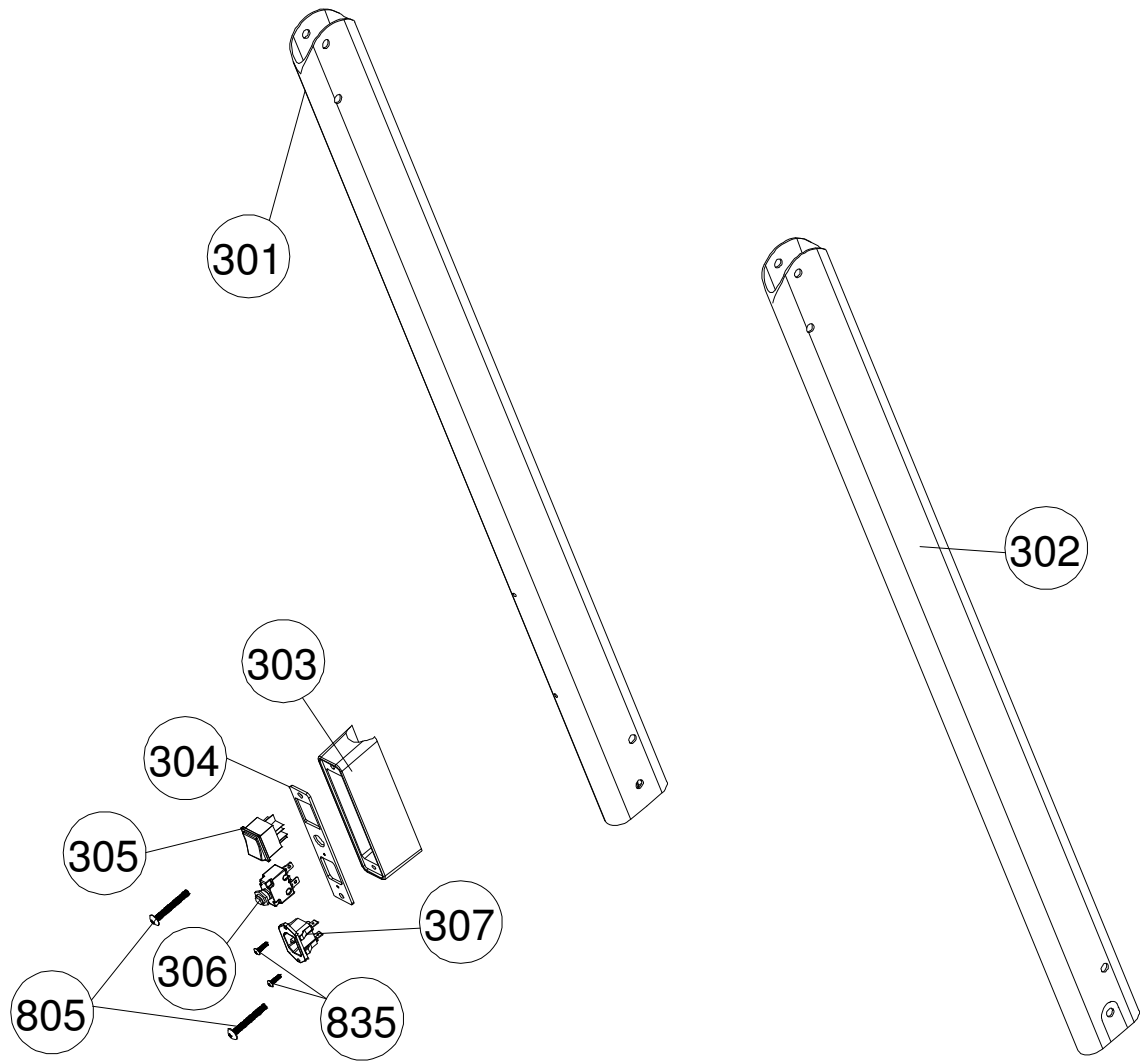
PARTS DIAGRAM



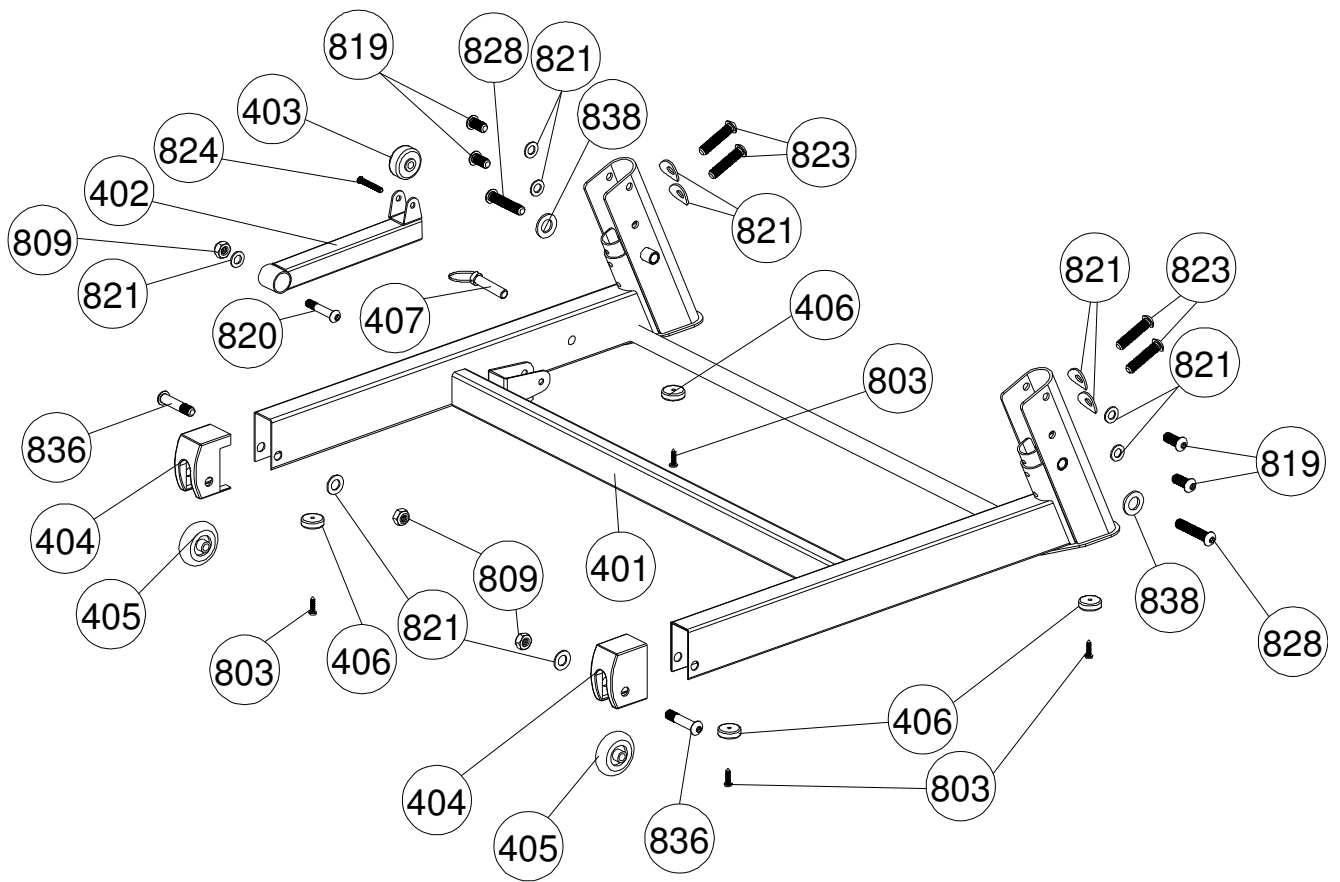
PARTS DIAGRAM



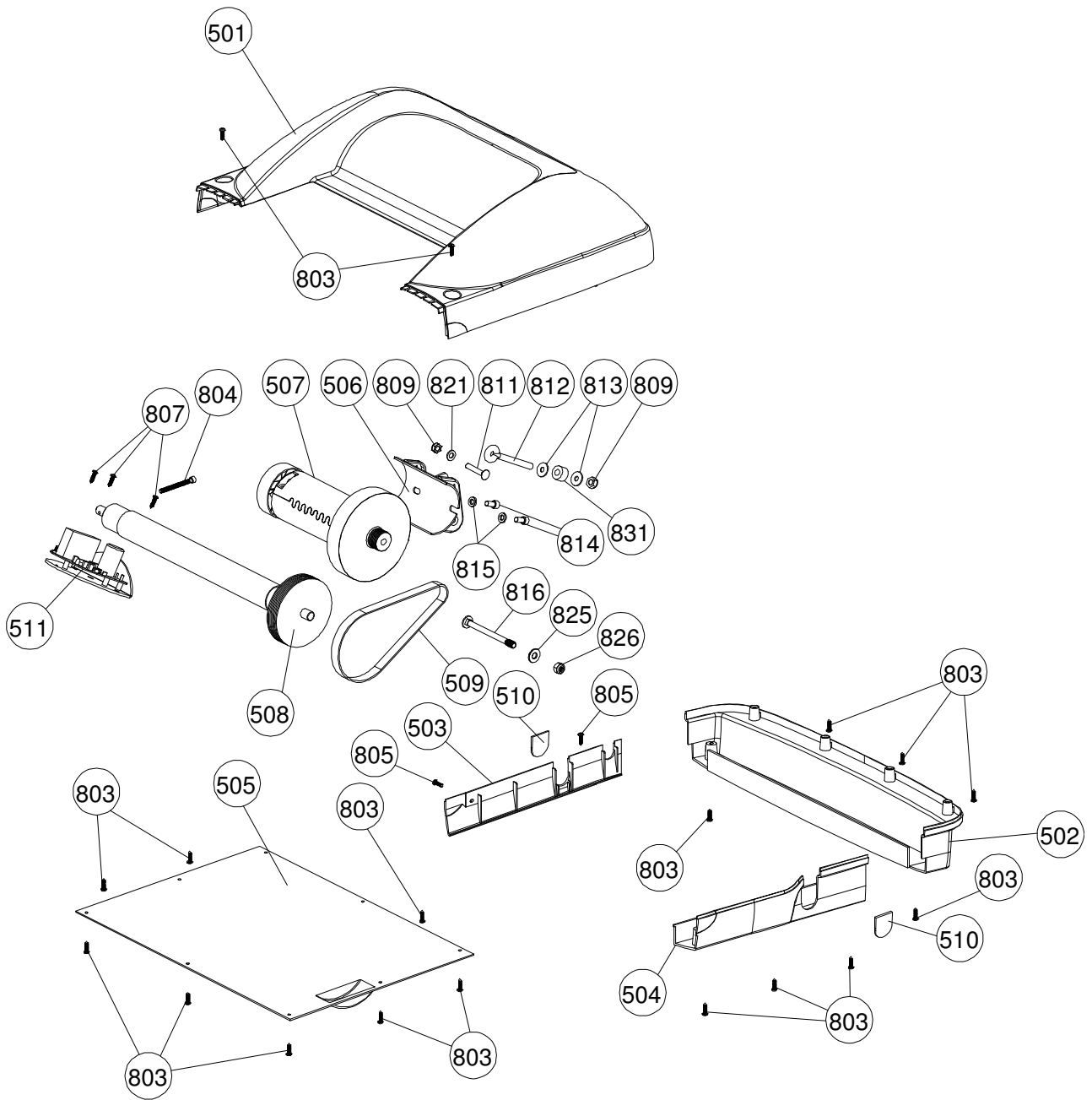
PARTS DIAGRAM



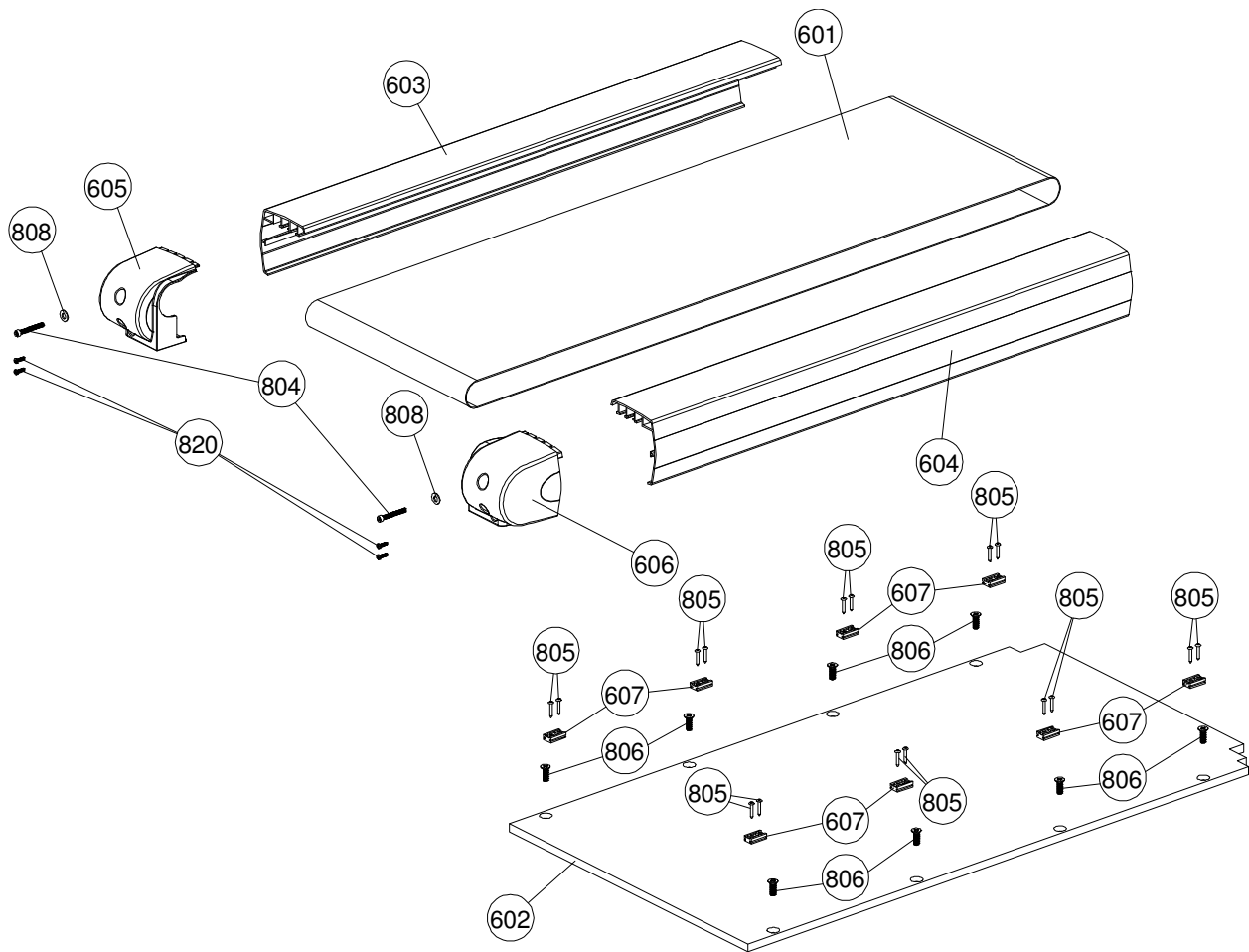
PARTS DIAGRAM



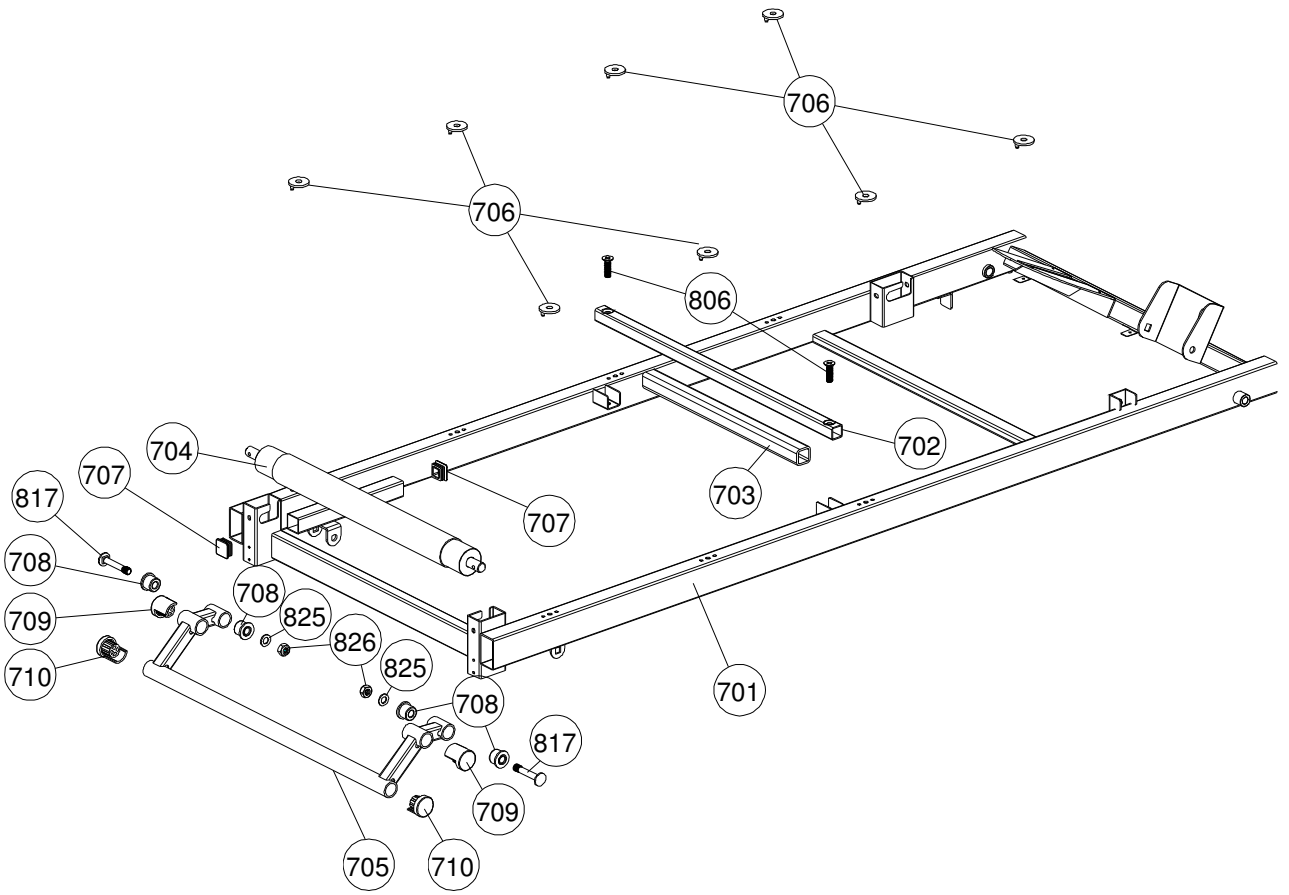
PARTS DIAGRAM



PARTS DIAGRAM



PARTS DIAGRAM





**Woelflistrasse 2
CH-3006 Bern
Switzerland**

© Copyright ENERGETICS 2010