

 **ENERGETICS**

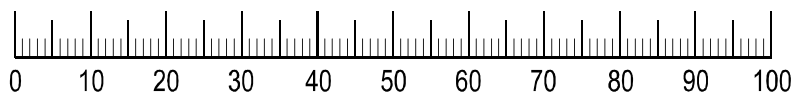
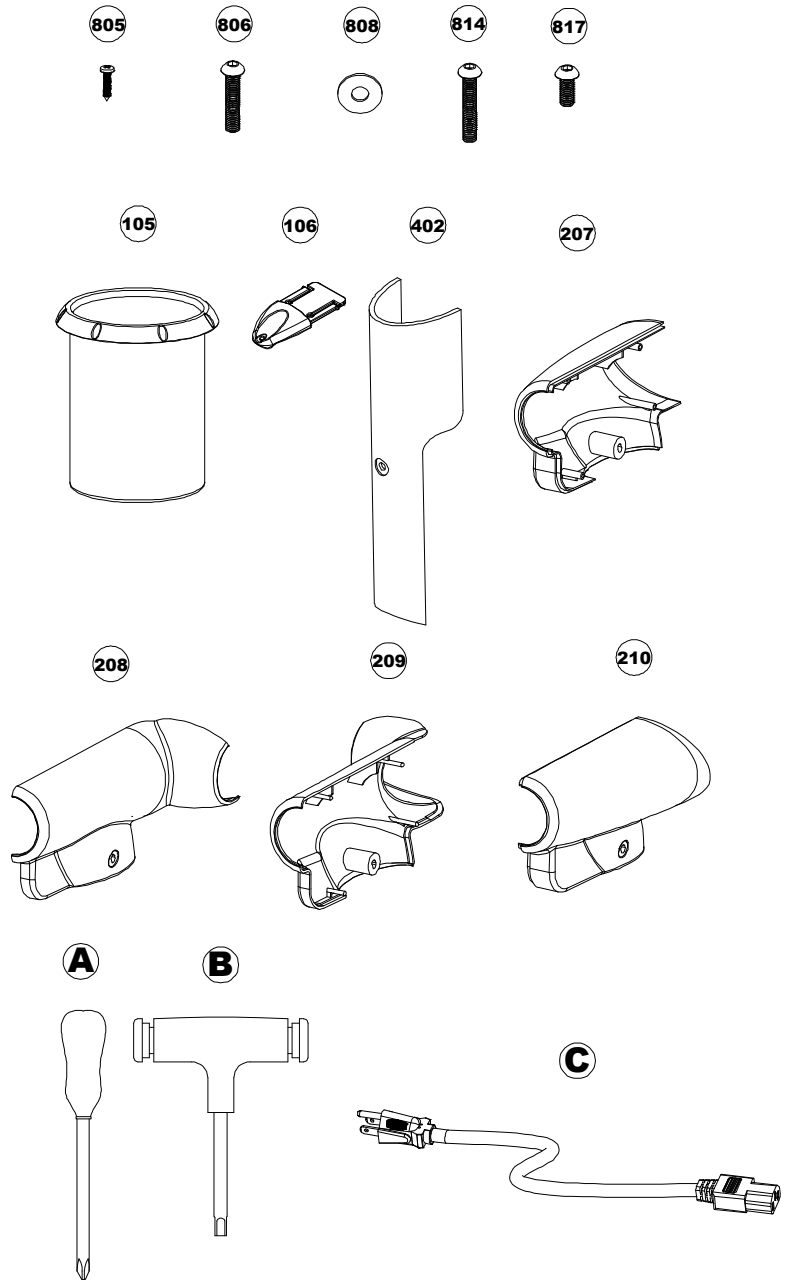
POWER RUN 5.0



HARDWARE COMPARISON CHART


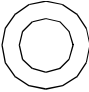

Hardware chart:

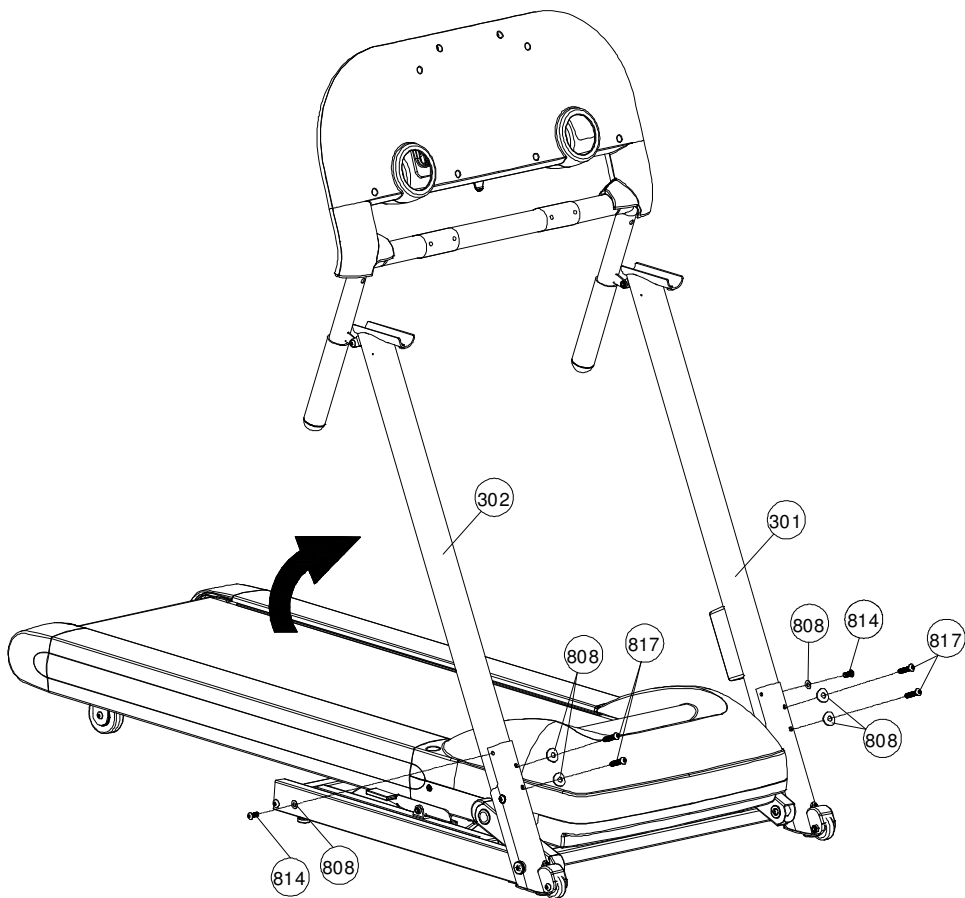
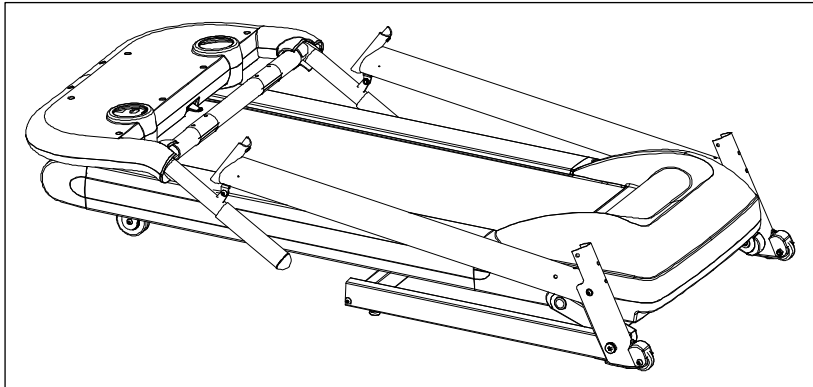
No.	Description	Qty.
805	Φ4x14mm Screw	6
806	M8x47mm Bolt	2
808	Φ8 mm Washer	8
814	M8x52mm Bolt	2
817	M8x18mm Bolt	4
105	Water Bottle Holder	2
106	Safety Key	1
402	Upright-Cover	2
207	Hand Bar Cover-LL	1
208	Hand Bar Cover-LR	1
209	Hand Bar Cover-RL	1
210	Hand Bar Cover-RR	1
A	Allen Wrench 6mm	1
B	Phillips Head Wrench	1
C	Power Cord	1




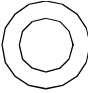

MILLIMETERS

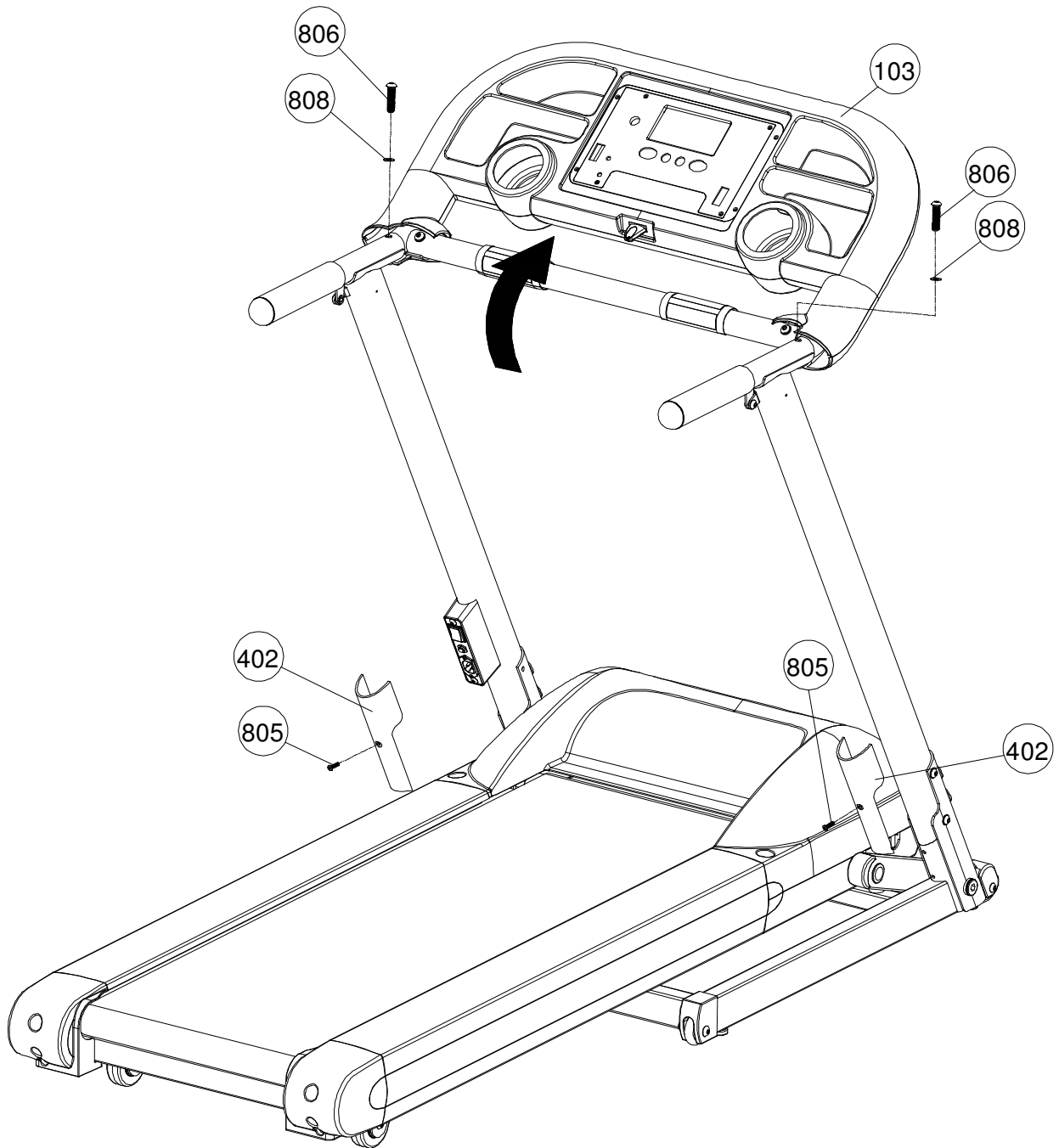
step-1

814	X2	
808	X6	
817	X4	



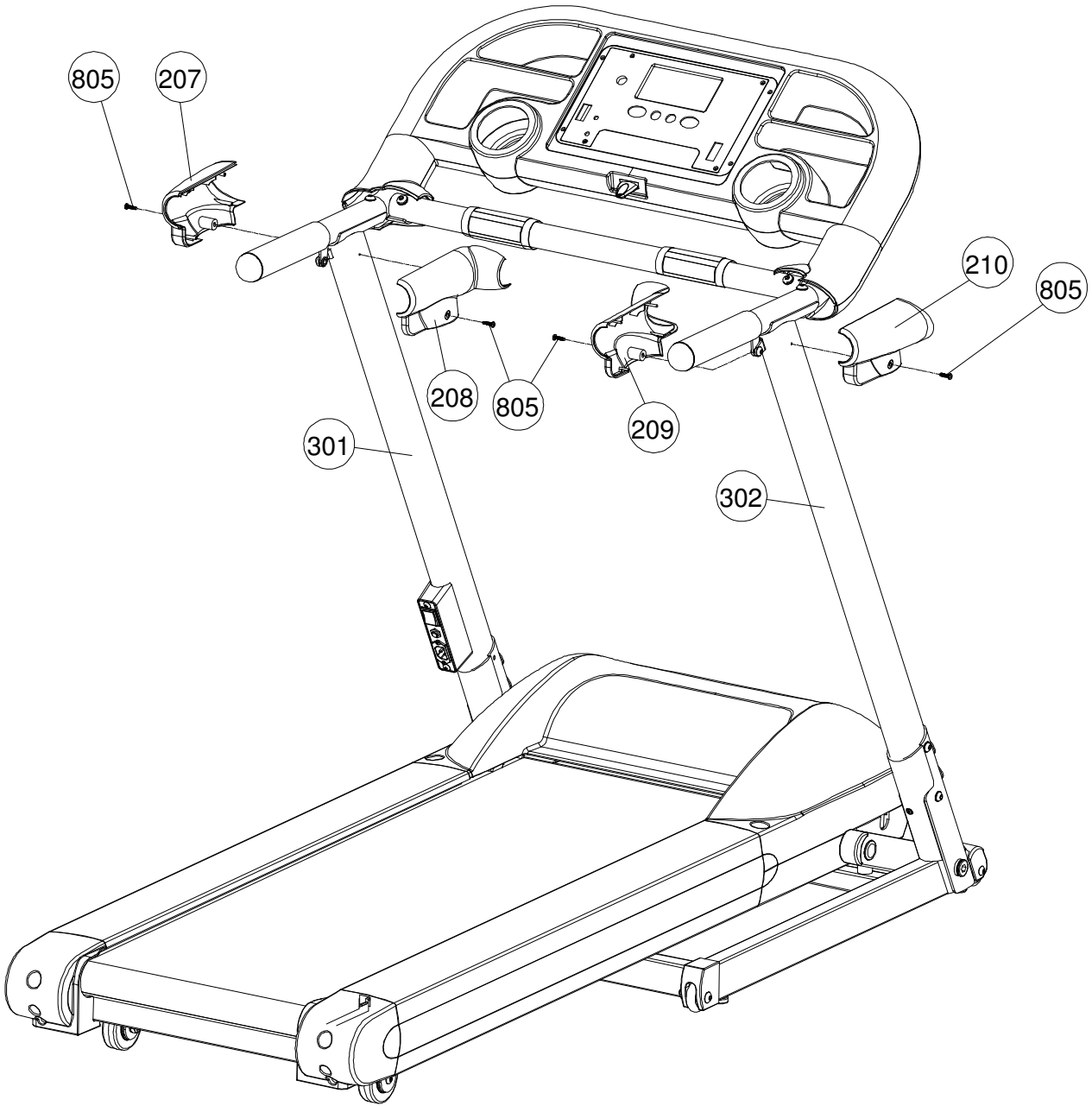
step-2

806	X2	
808	X2	
805	X2	

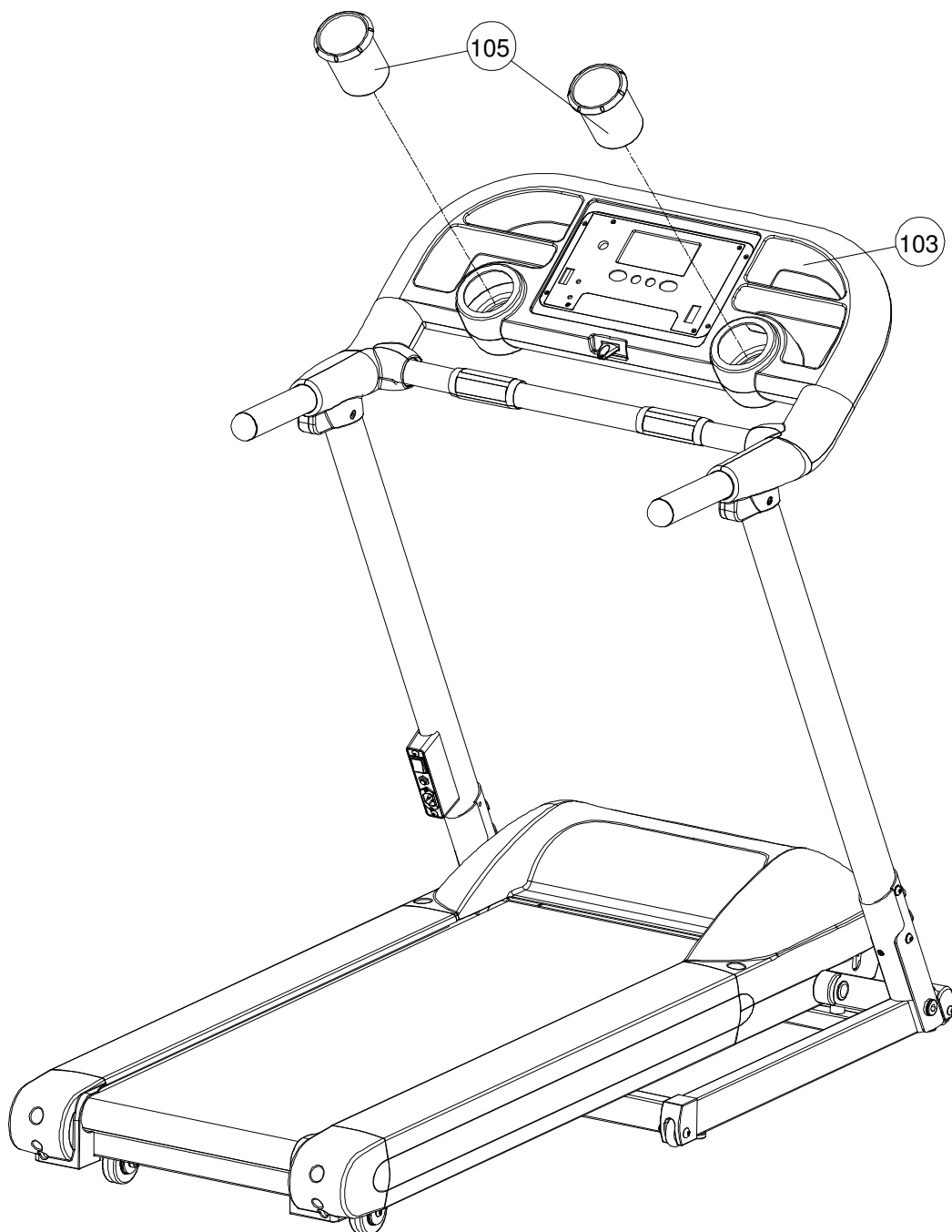
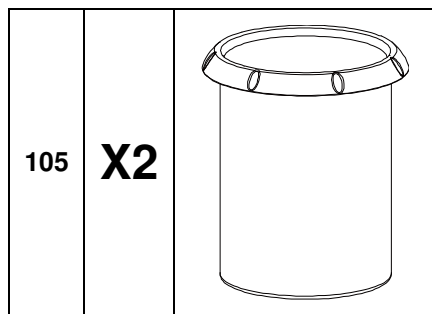


step-3

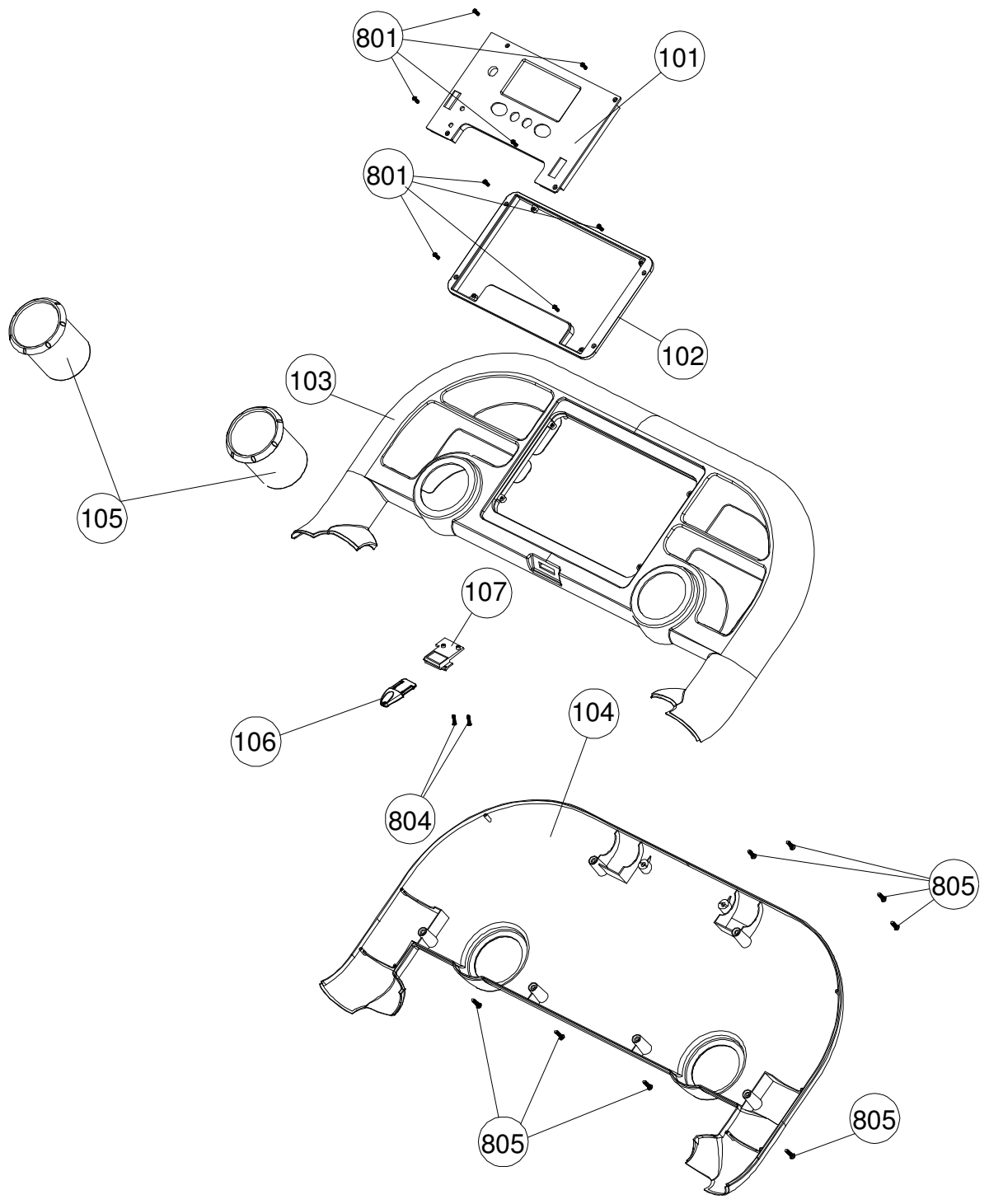
805	X4	
-----	-----------	---



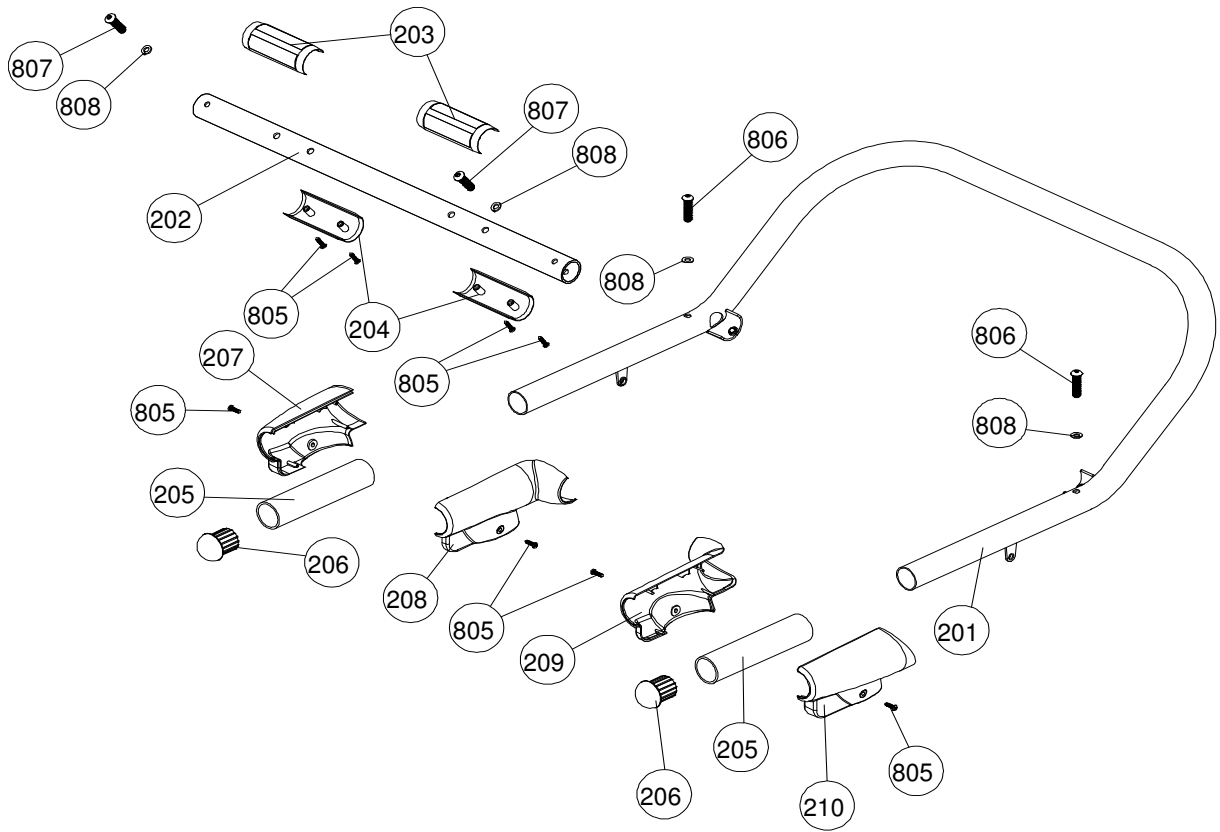
step-4



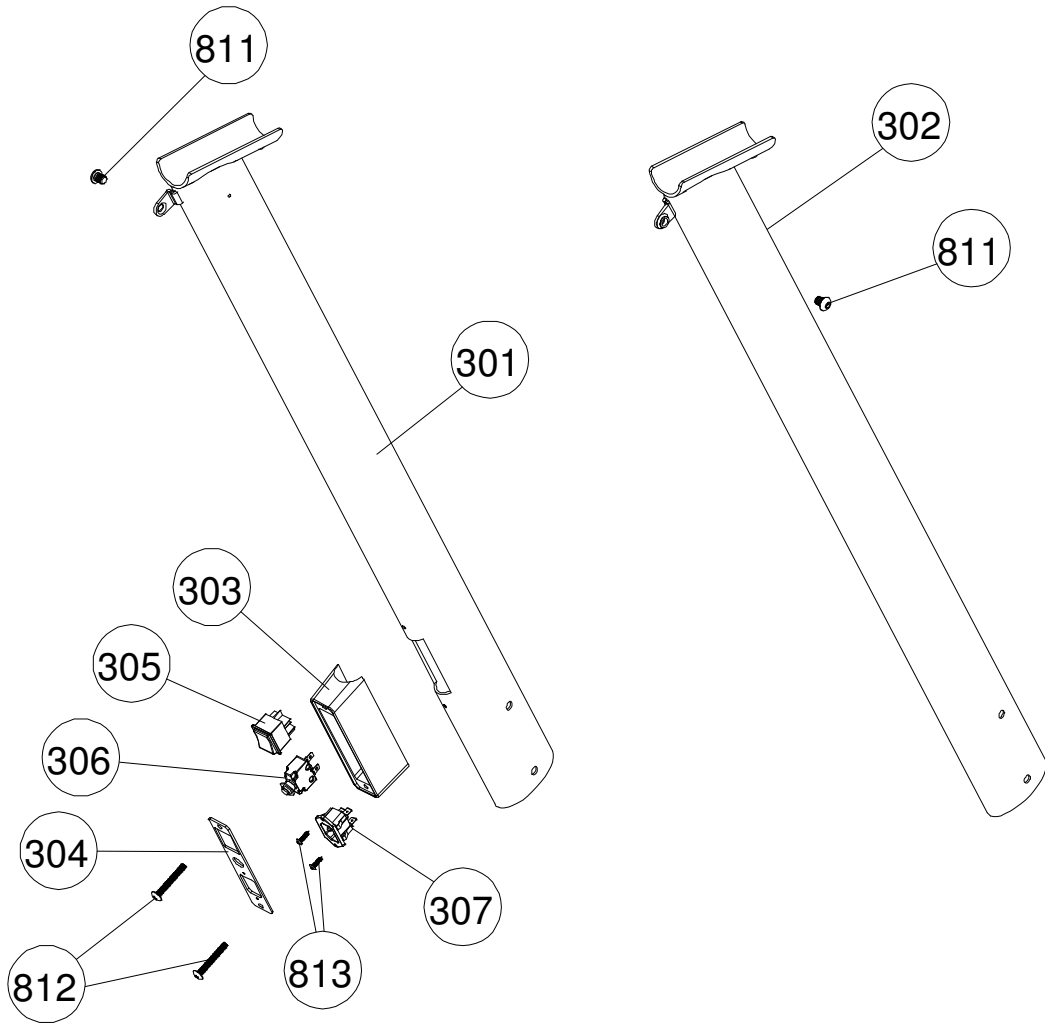
PARTS DIAGRAM



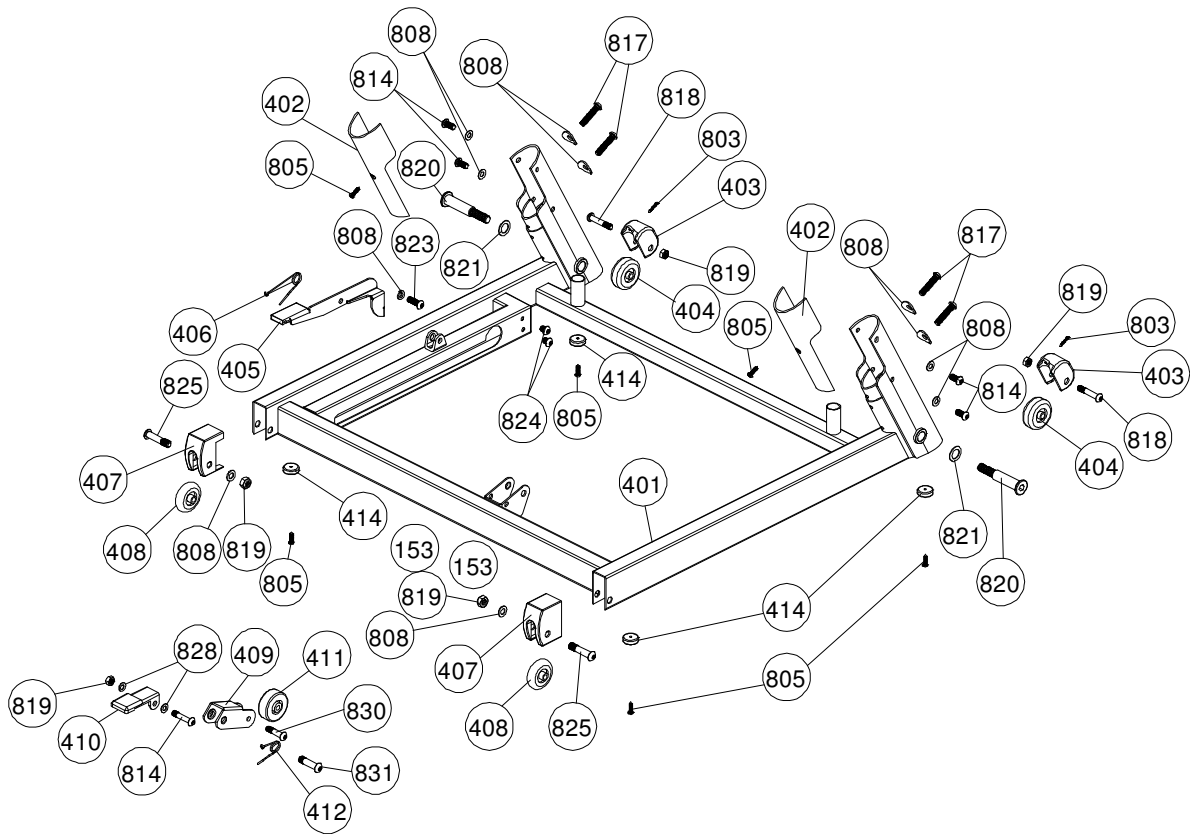
PARTS DIAGRAM



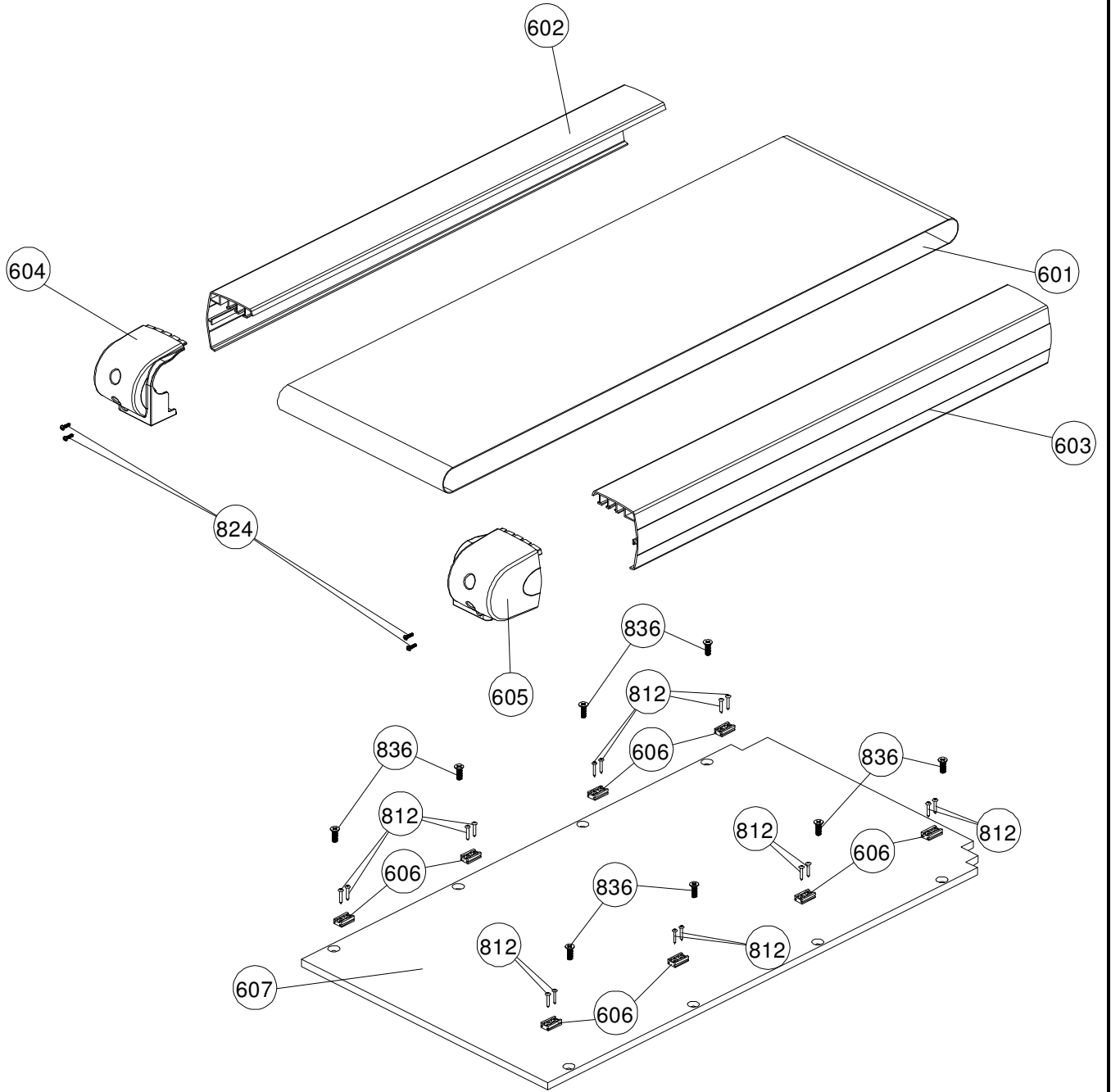
PARTS DIAGRAM



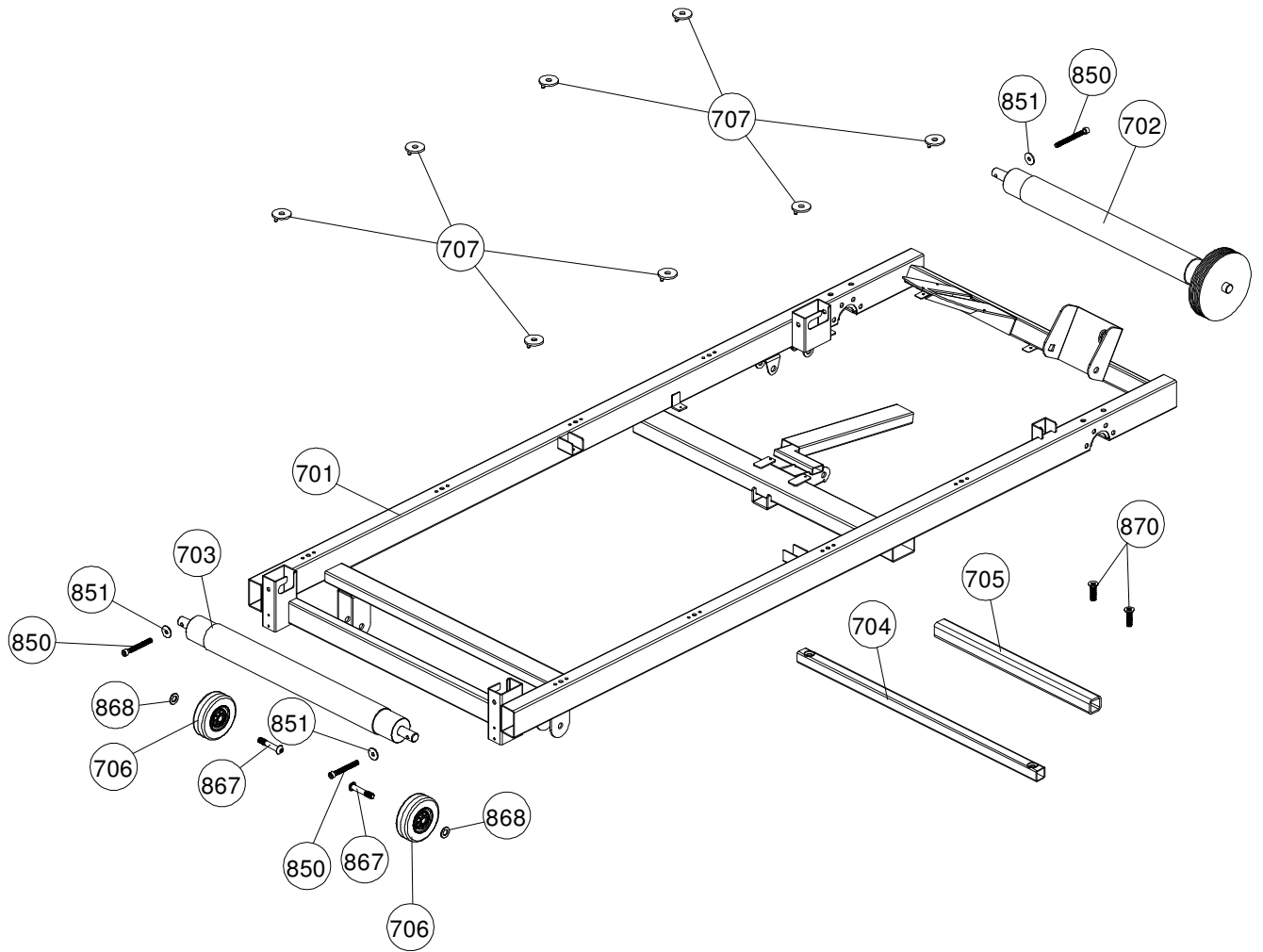
PARTS DIAGRAM



PARTS DIAGRAM



PARTS DIAGRAM





**Woelflistrasse 2
CH-3006 Bern
Switzerland**

© Copyright ENERGETICS 2010