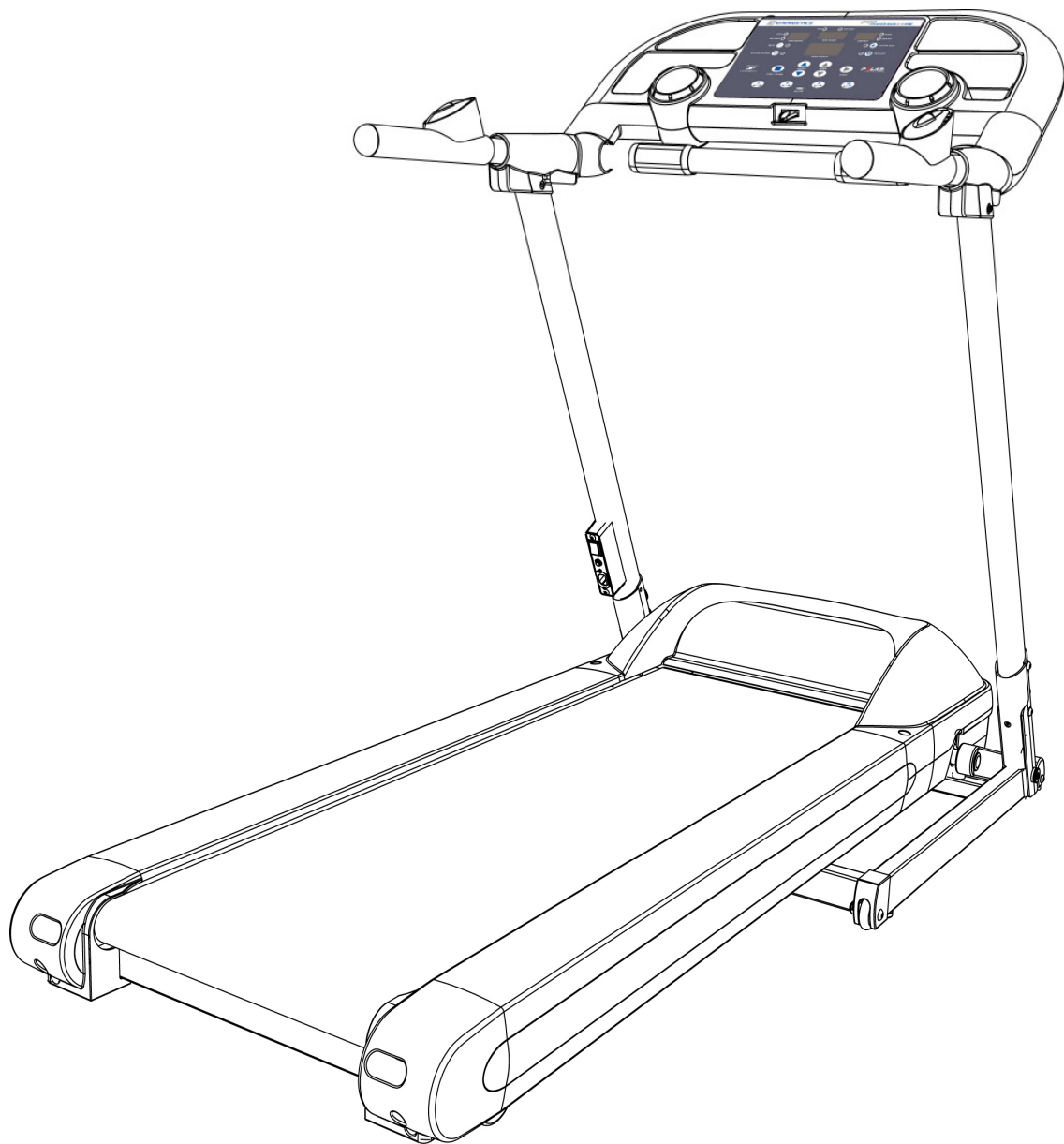


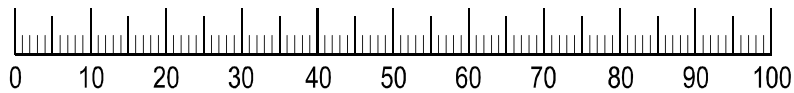
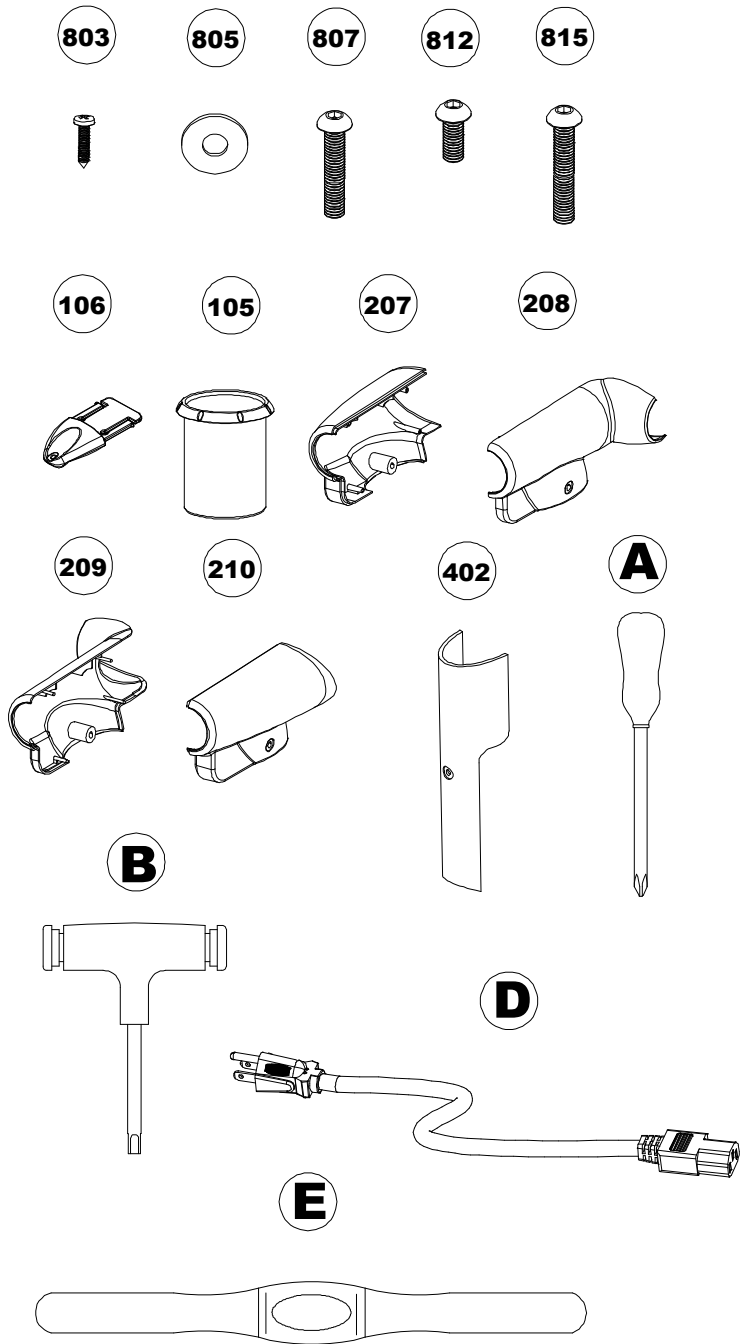
E ***ENERGETICS***

POWER RUN 9.0HRC




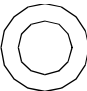

HARDWARE COMPARISON CHART

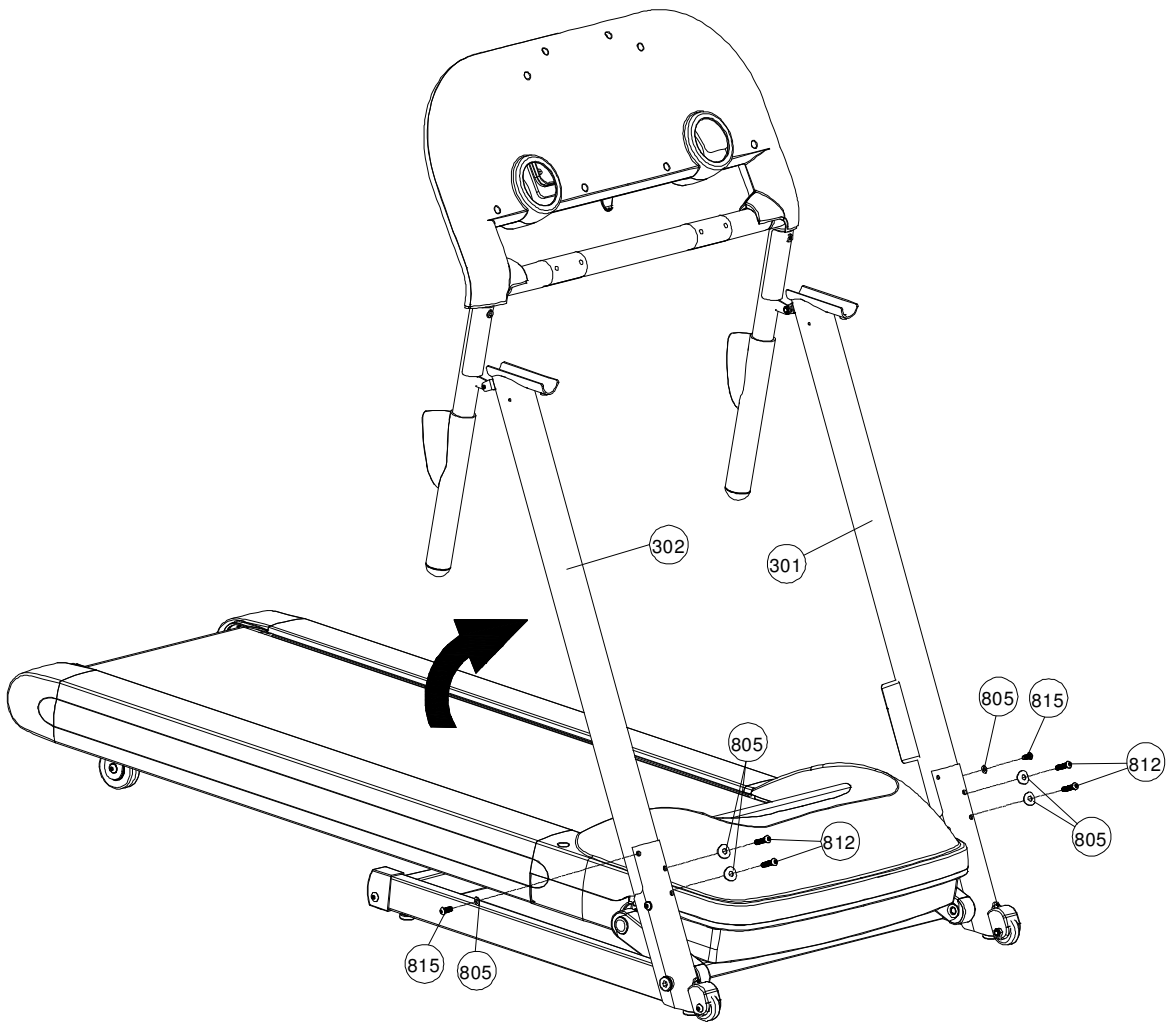
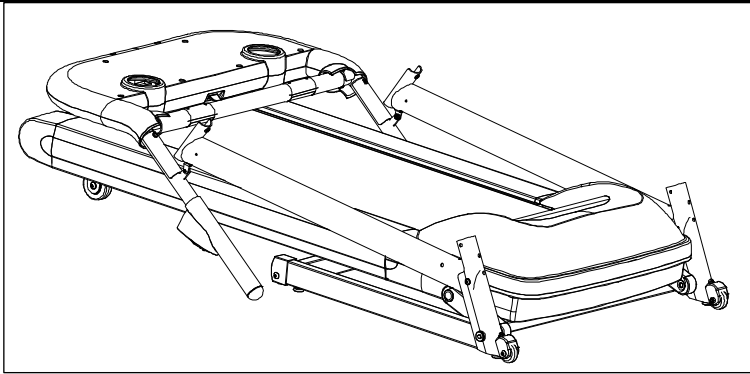
No.	Description	Qty.
803	Φ4x14mm Screw	6
805	Φ8 mm Washer	2
807	M8x47mm Bolt	8
812	M8x18mm Bolt	2
815	M8x52mm Bolt	4
105	Water Bottle Holder	2
106	Safety Key	1
402	Upright-Cover	2
207	Hand Bar Cover-LL	1
208	Hand Bar Cover-LR	1
209	Hand Bar Cover-RL	1
210	Hand Bar Cover-RR	1
A	Allen Wrench 6mm	1
B	Phillips Head Wrench	1
D	Power Cord	1
E	Chest Belt	1




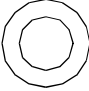

MILLIMETERS

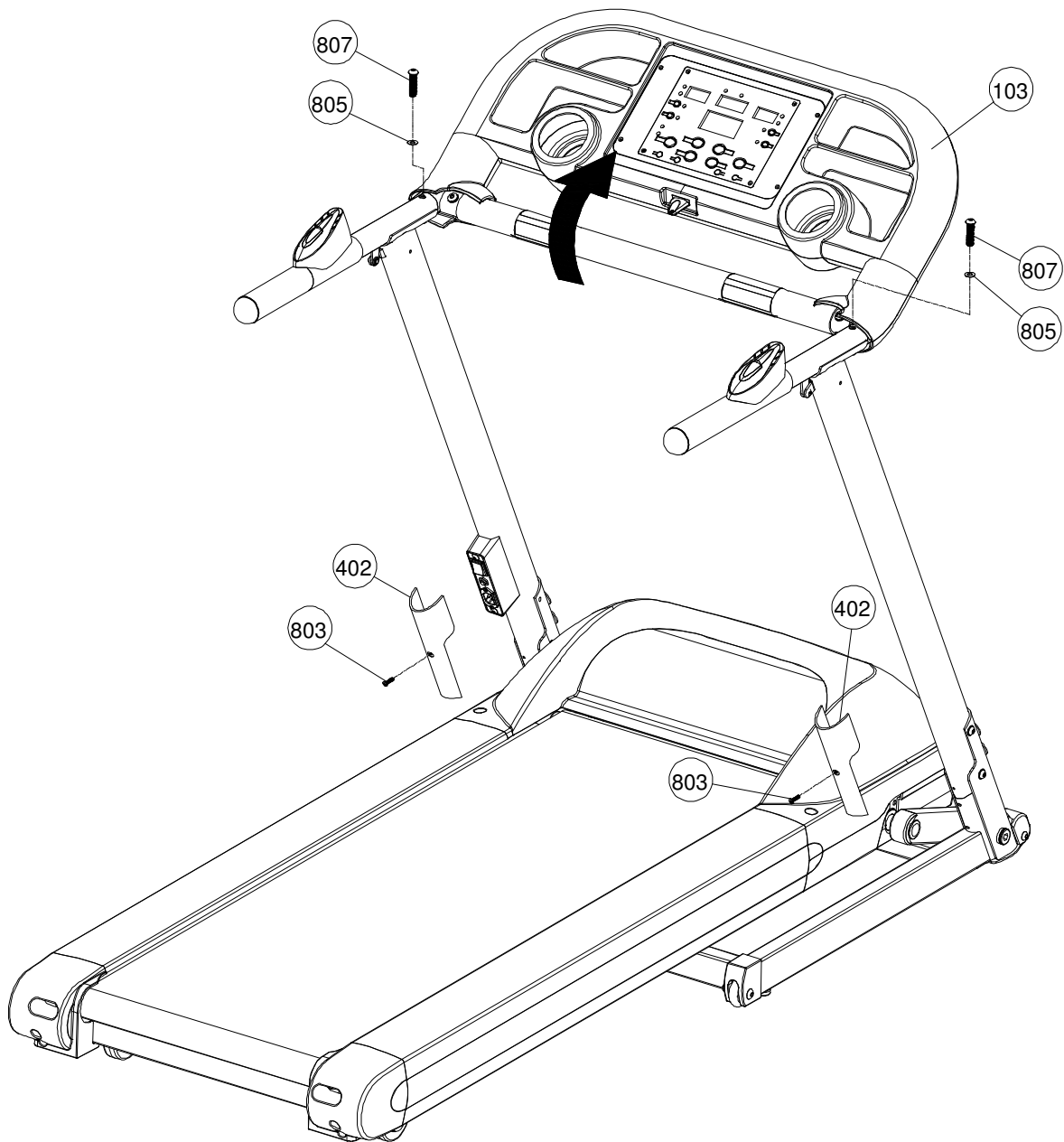
step-1

815	X2	
805	X6	
812	X4	



step-2

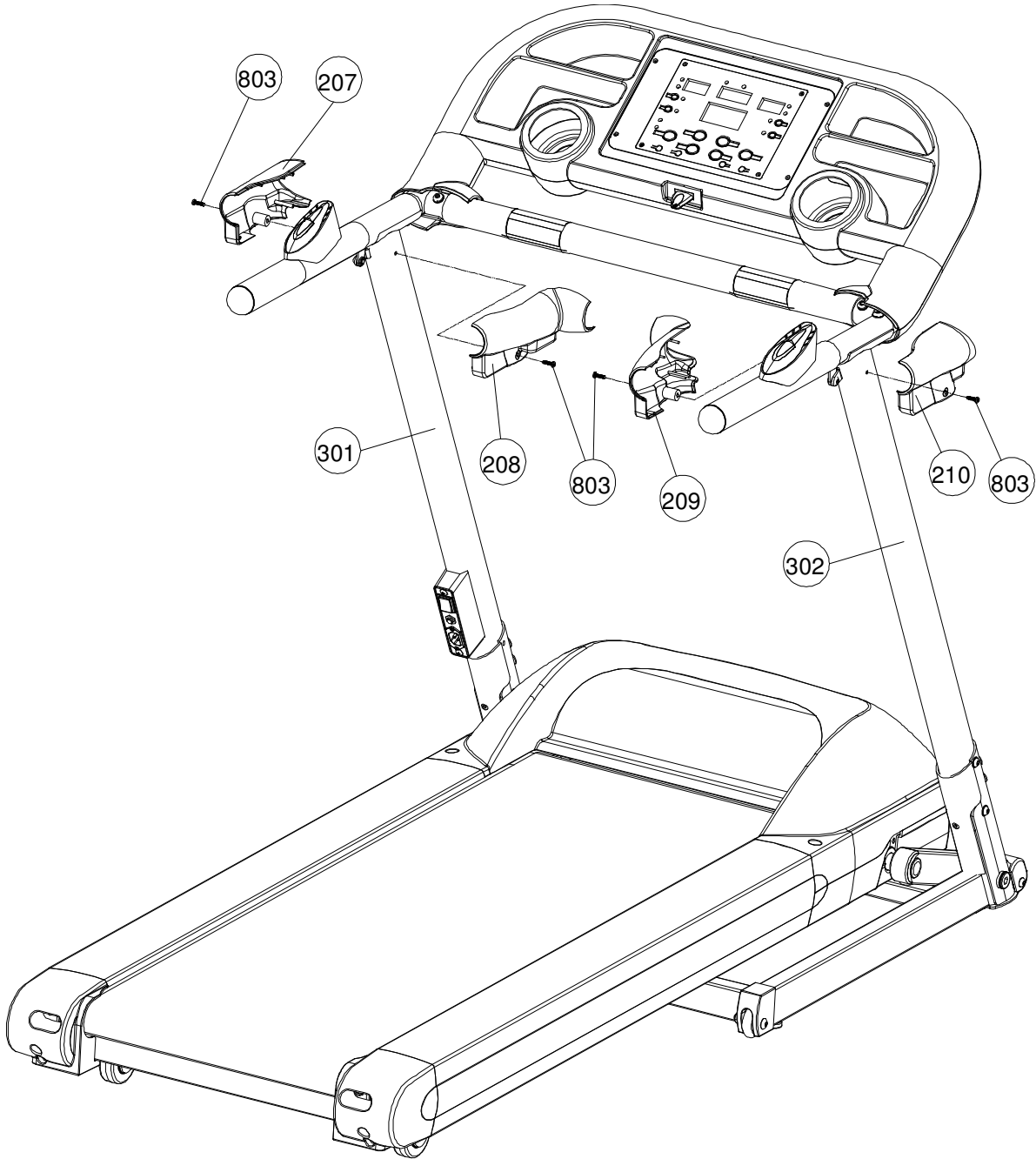
807	X2	
805	X2	
803	X2	



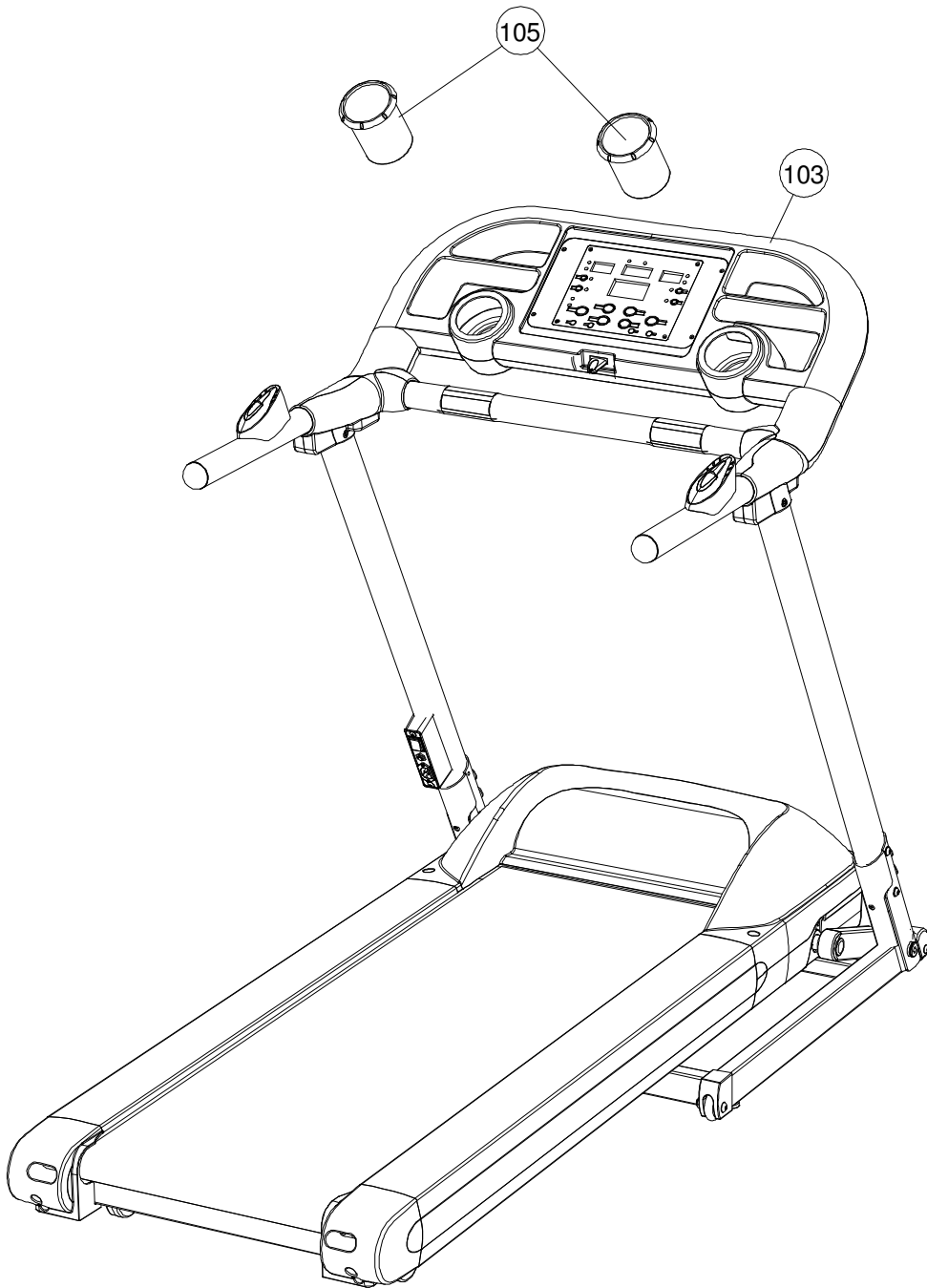
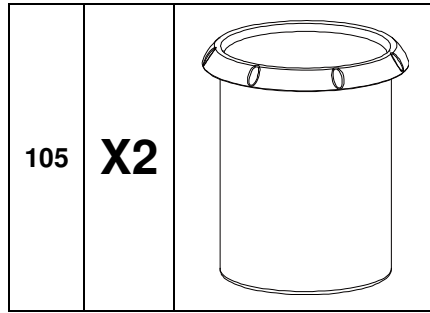
step-3

803

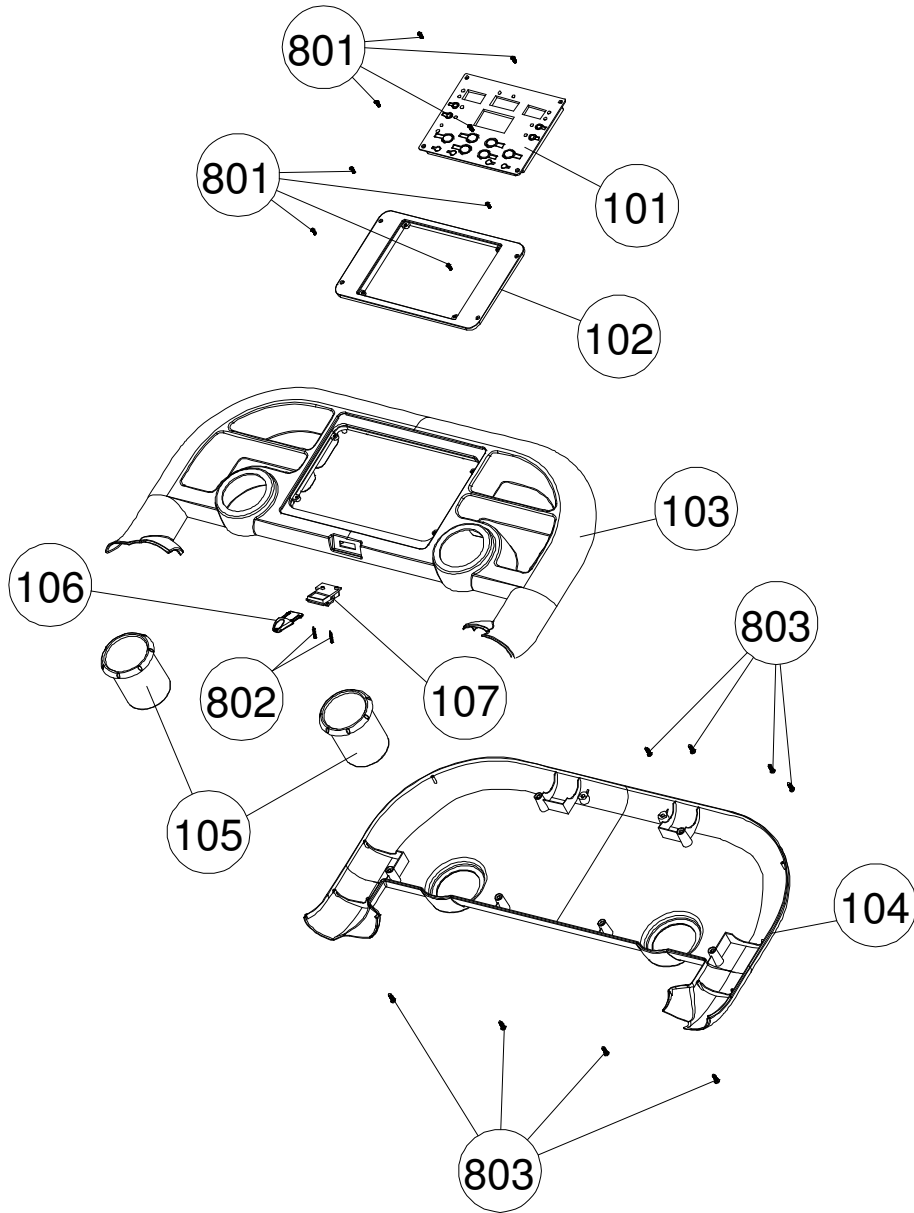
X4



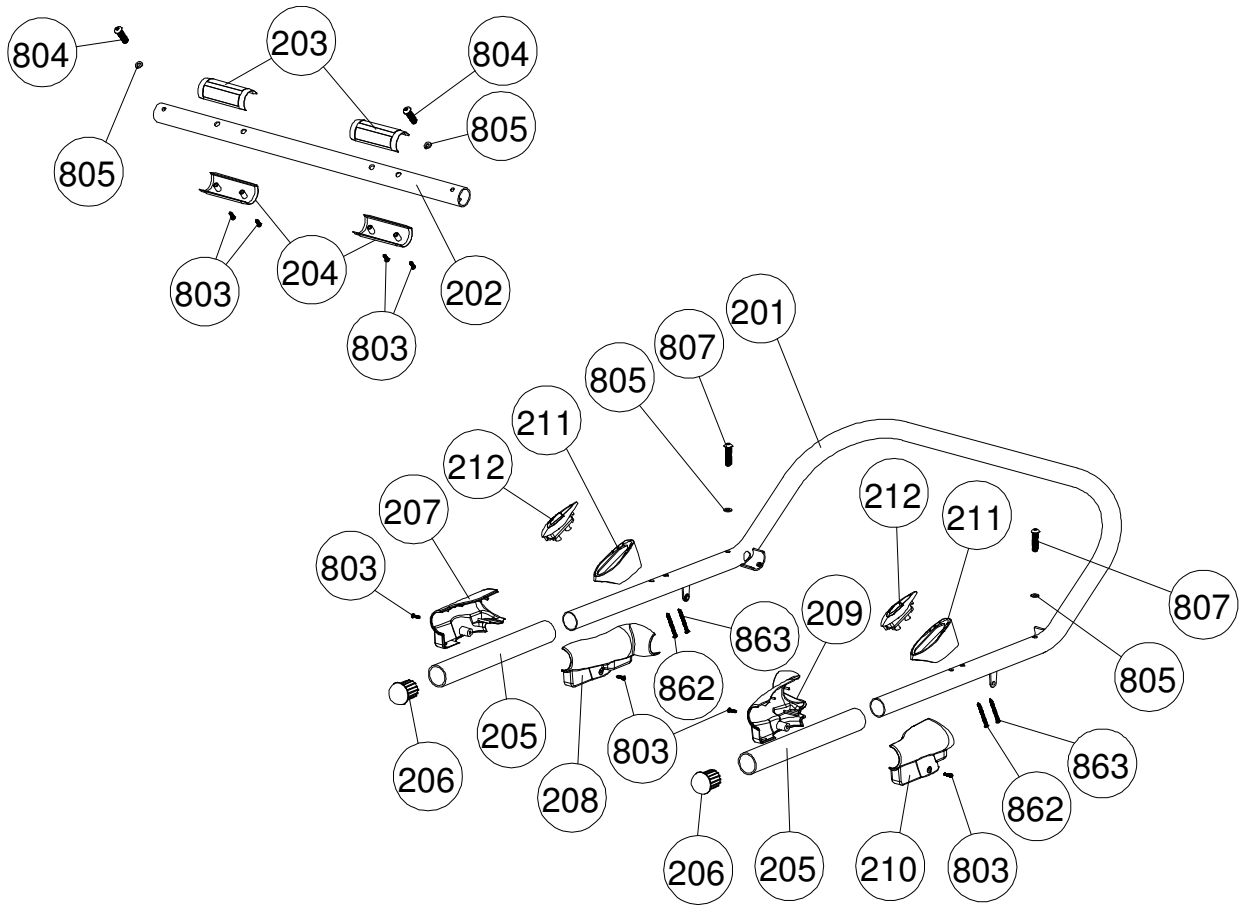
step-4



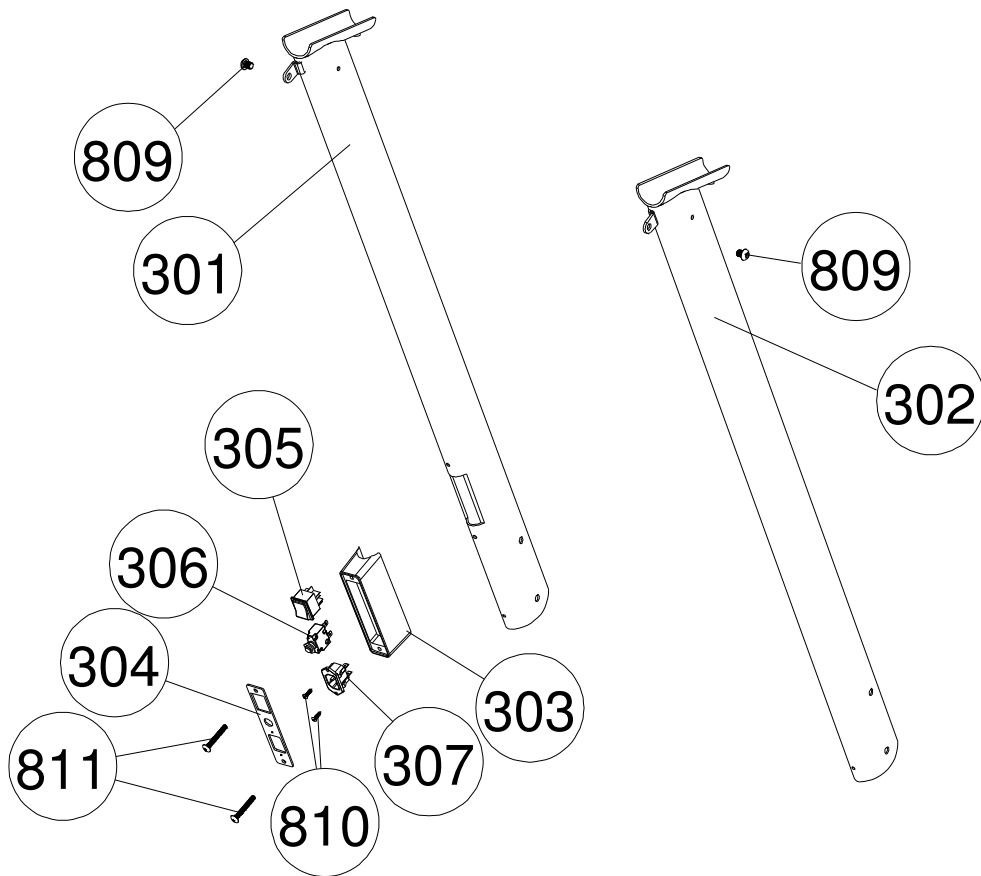
PARTS DIAGRAM



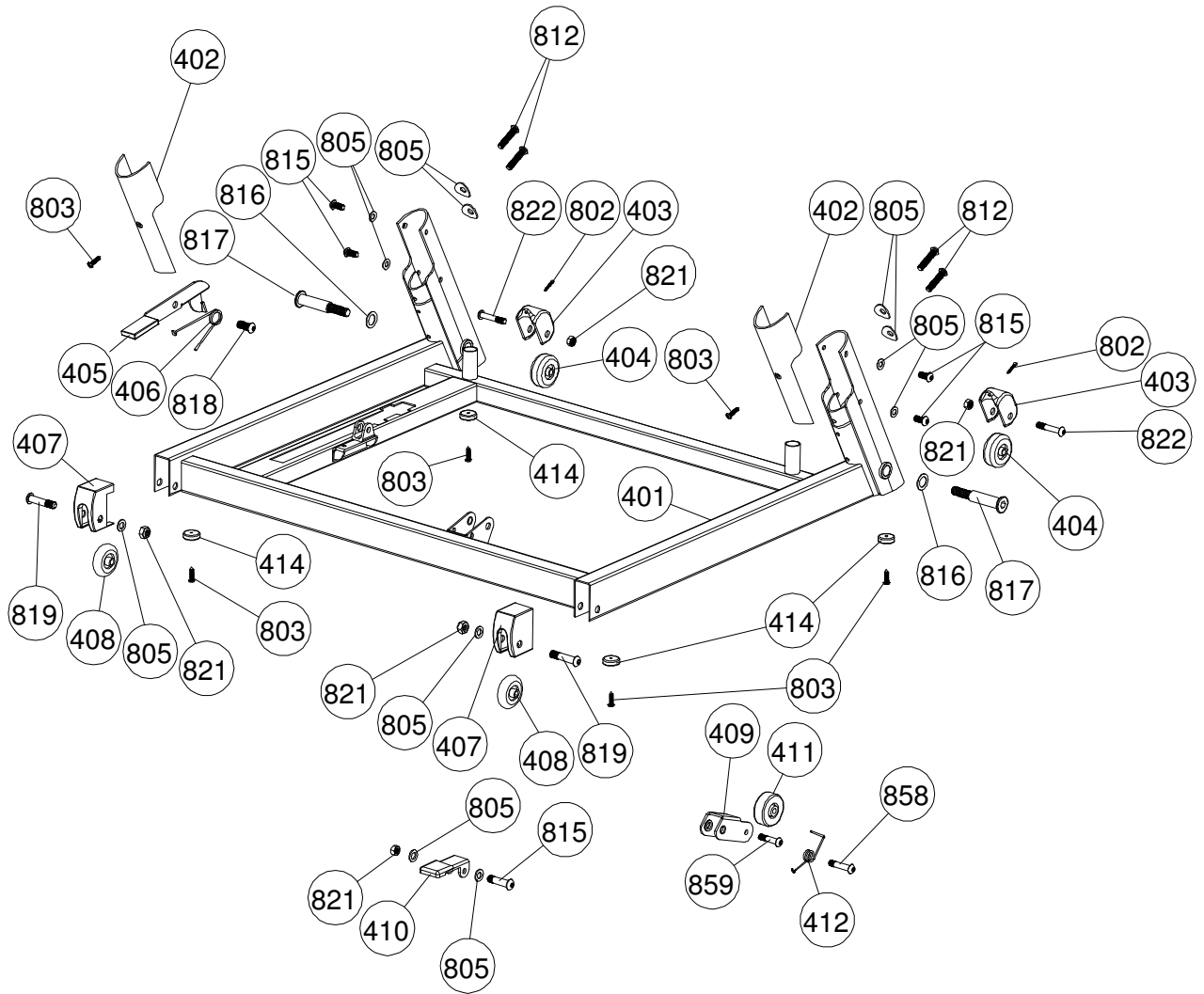
PARTS DIAGRAM



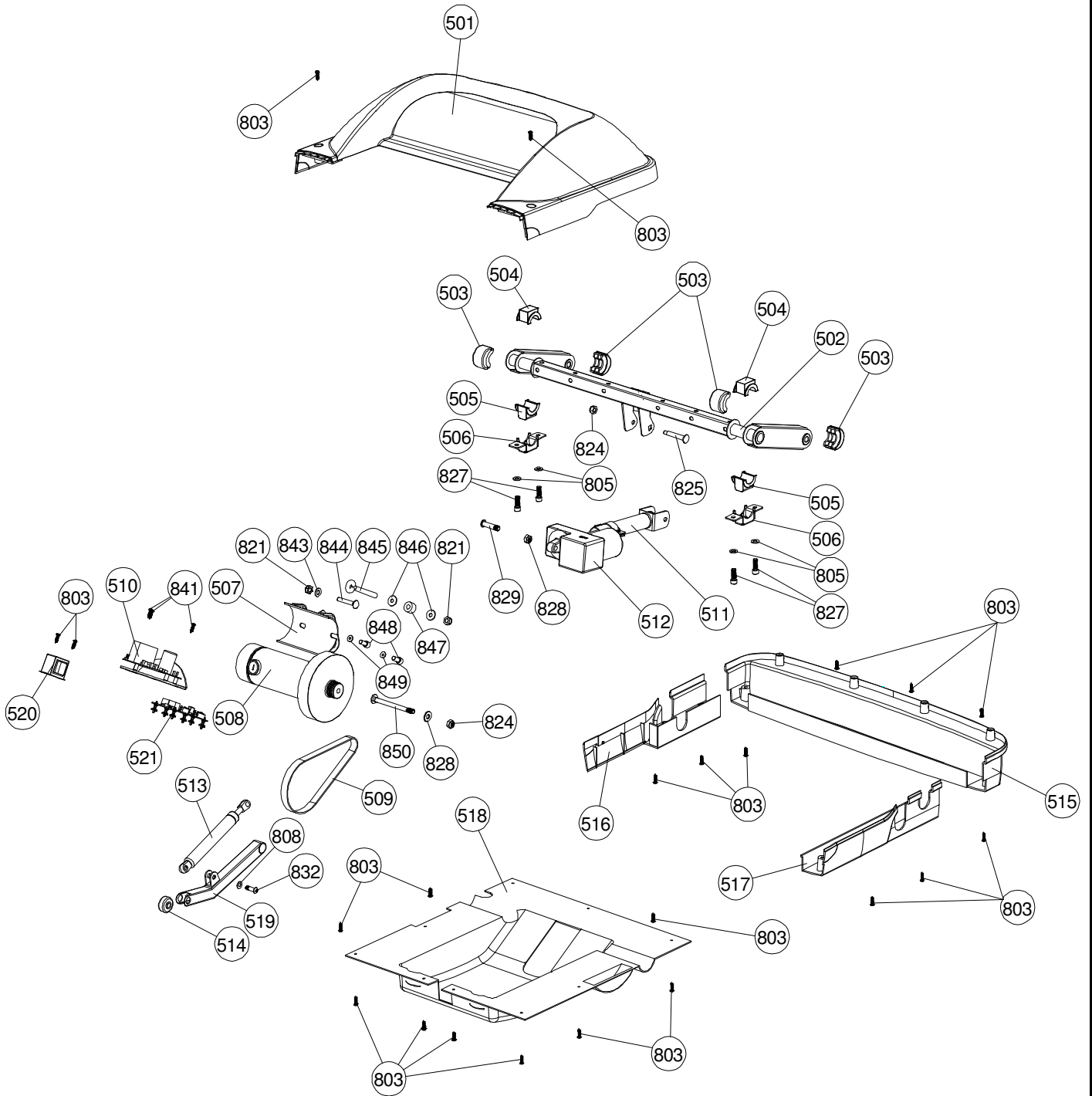
PARTS DIAGRAM



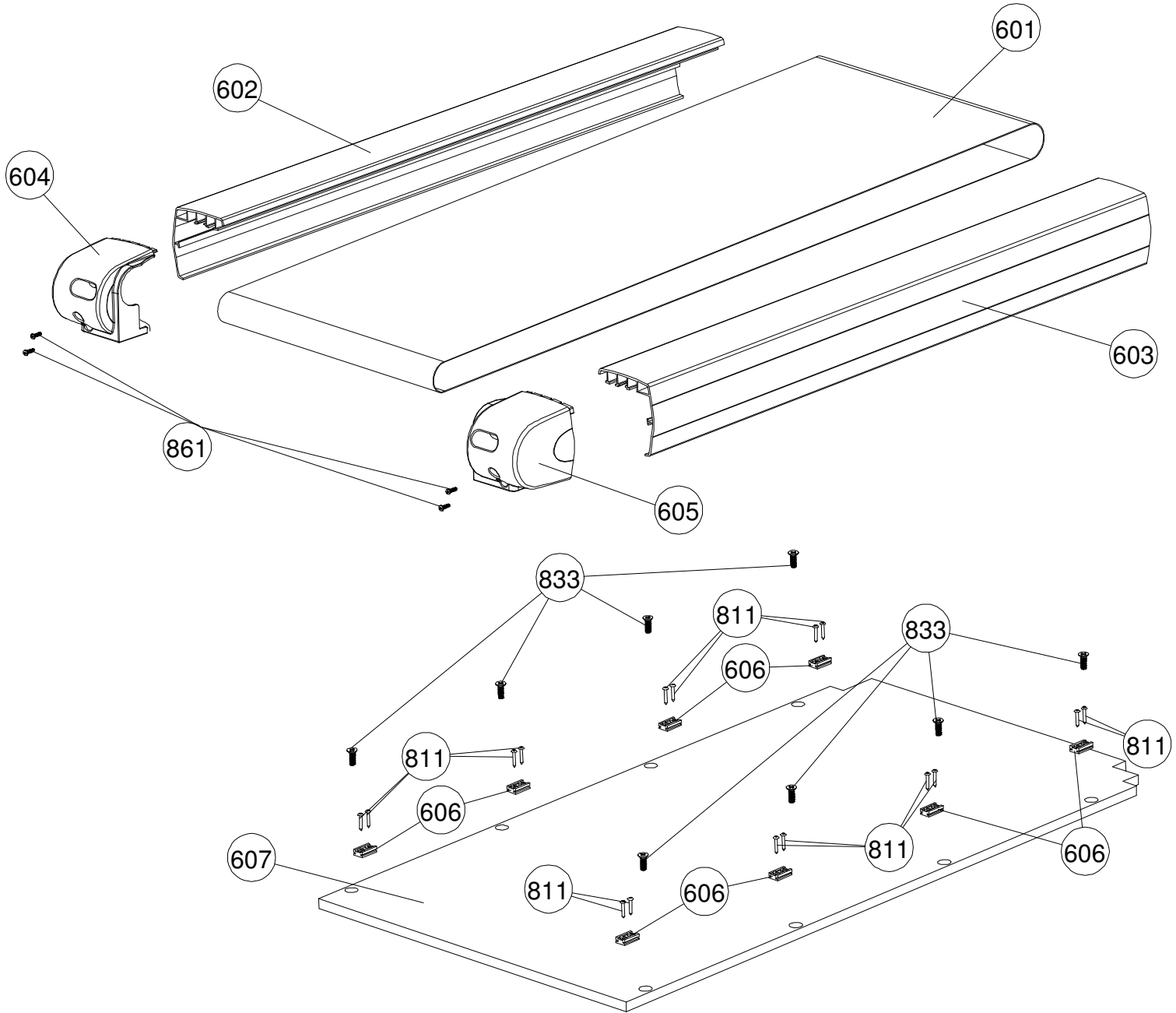
PARTS DIAGRAM



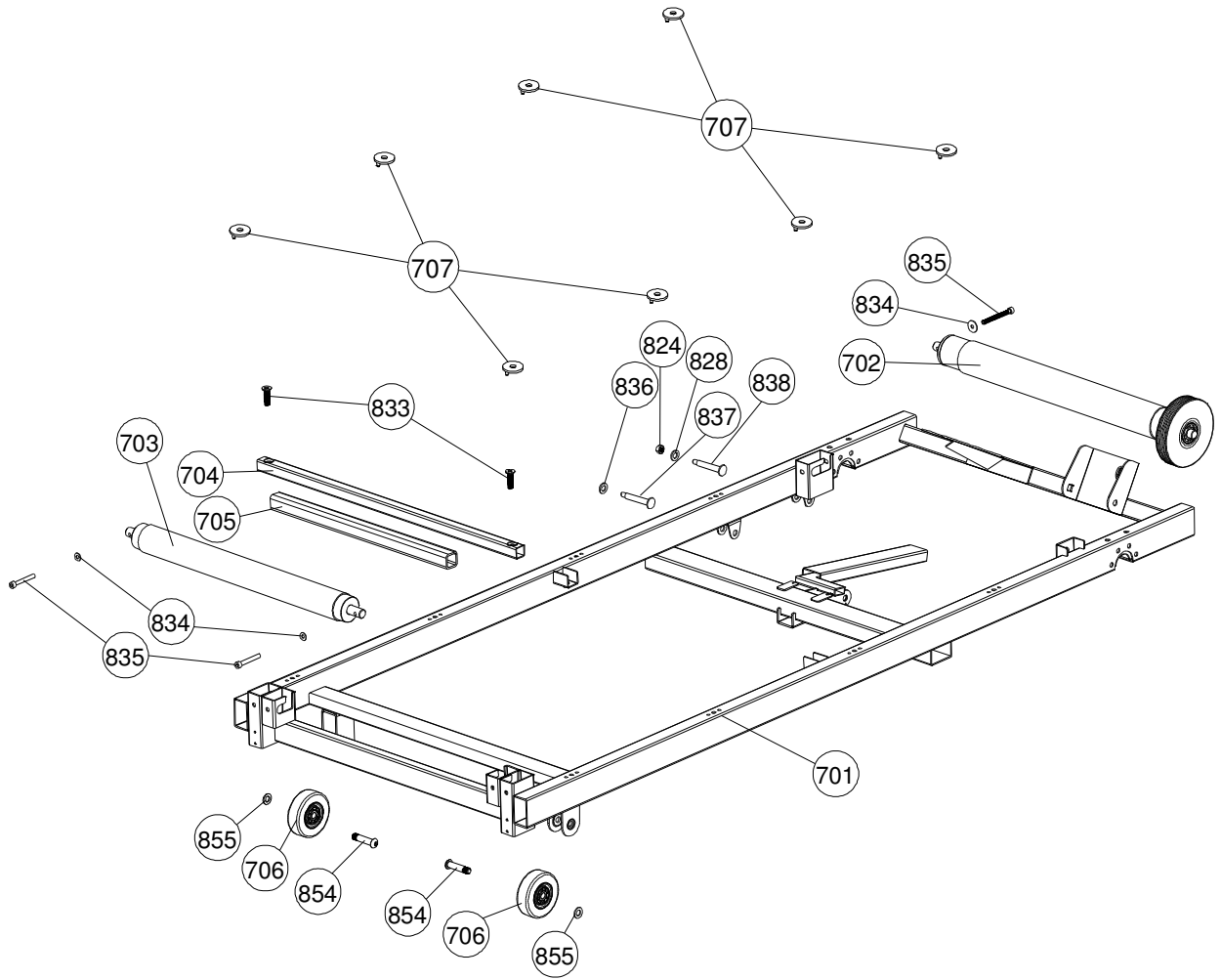
PARTS DIAGRAM



PARTS DIAGRAM



PARTS DIAGRAM





**Woelflistrasse 2
CH-3006 Bern
Switzerland**

© Copyright ENERGETICS 2010