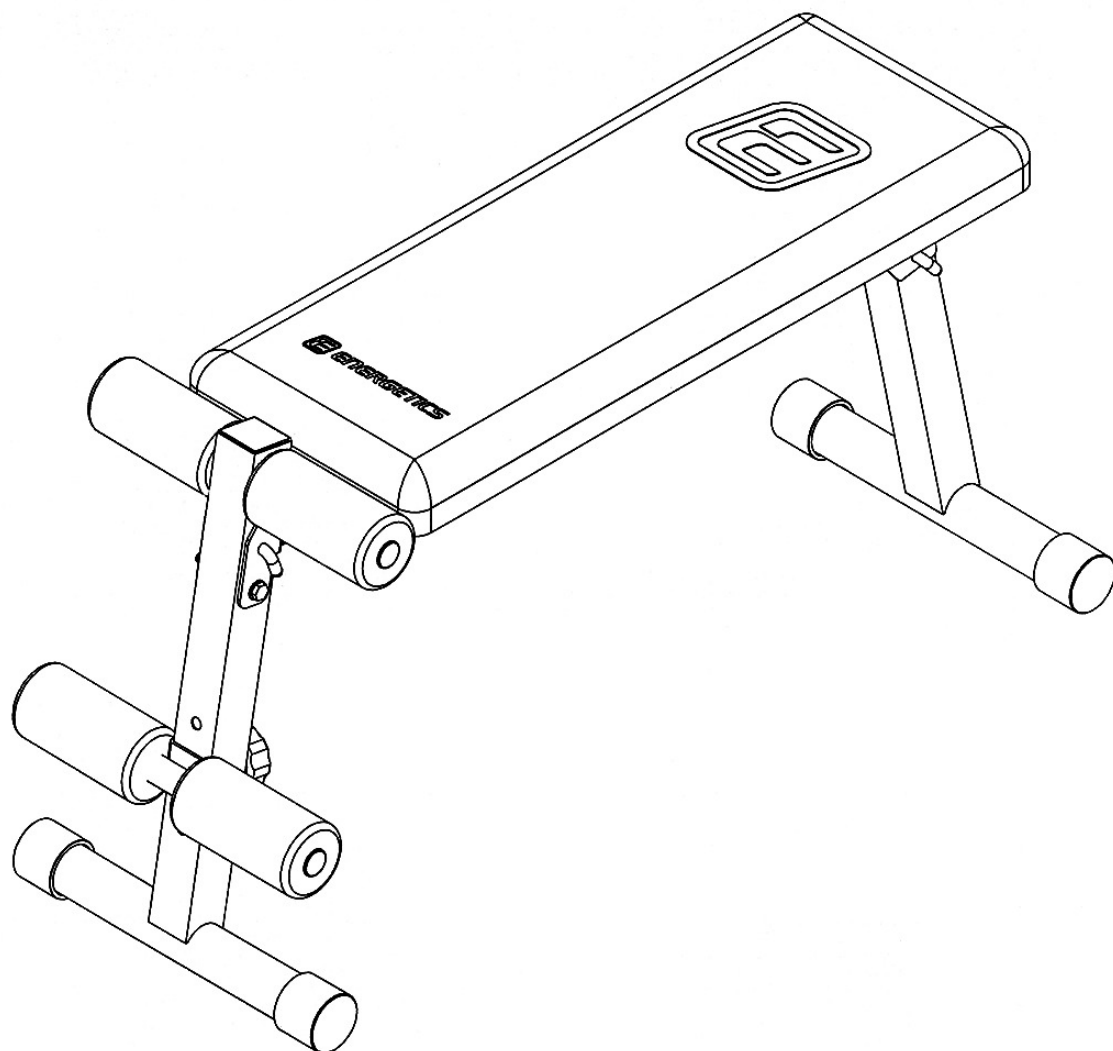
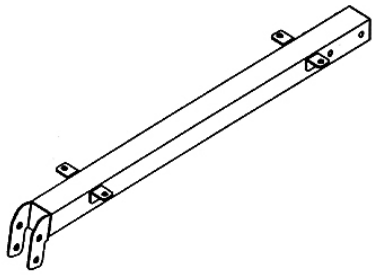


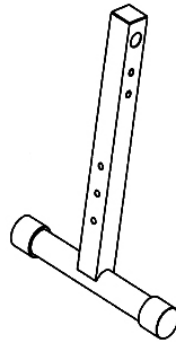
E **ENERGETICS**

Light Bench 1.1

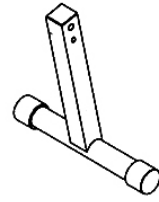




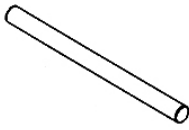
1



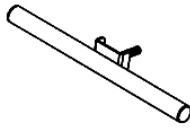
2



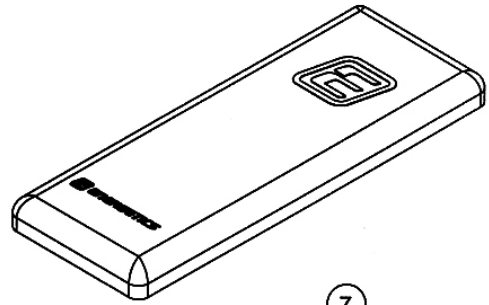
3



4



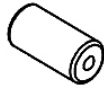
5



7



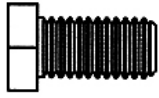
8



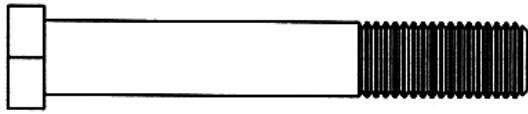
10



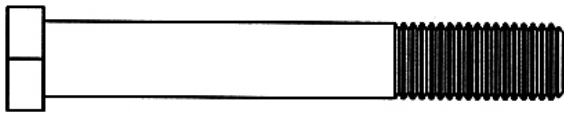
11



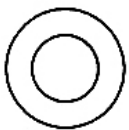
17



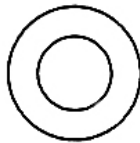
16



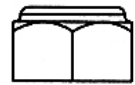
15



20

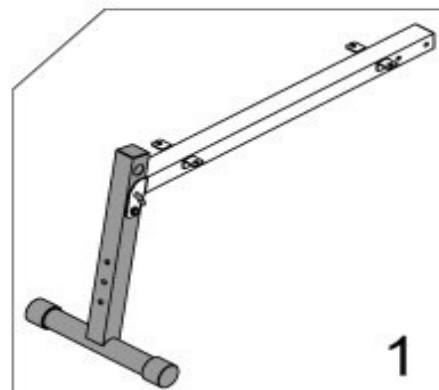
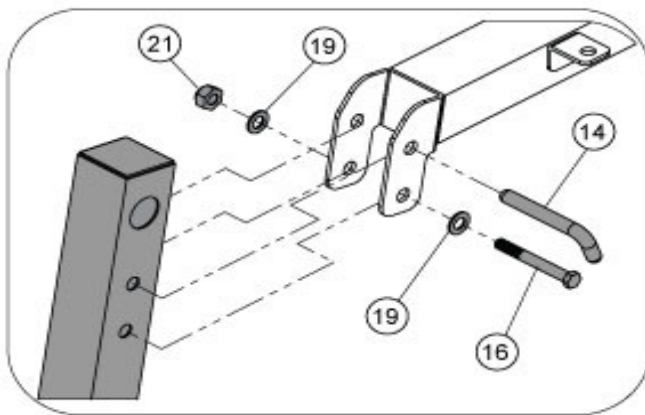
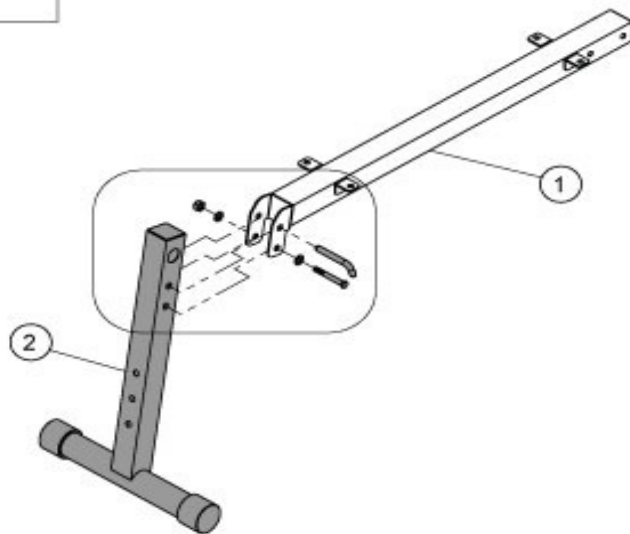
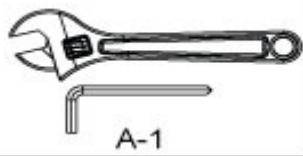





19

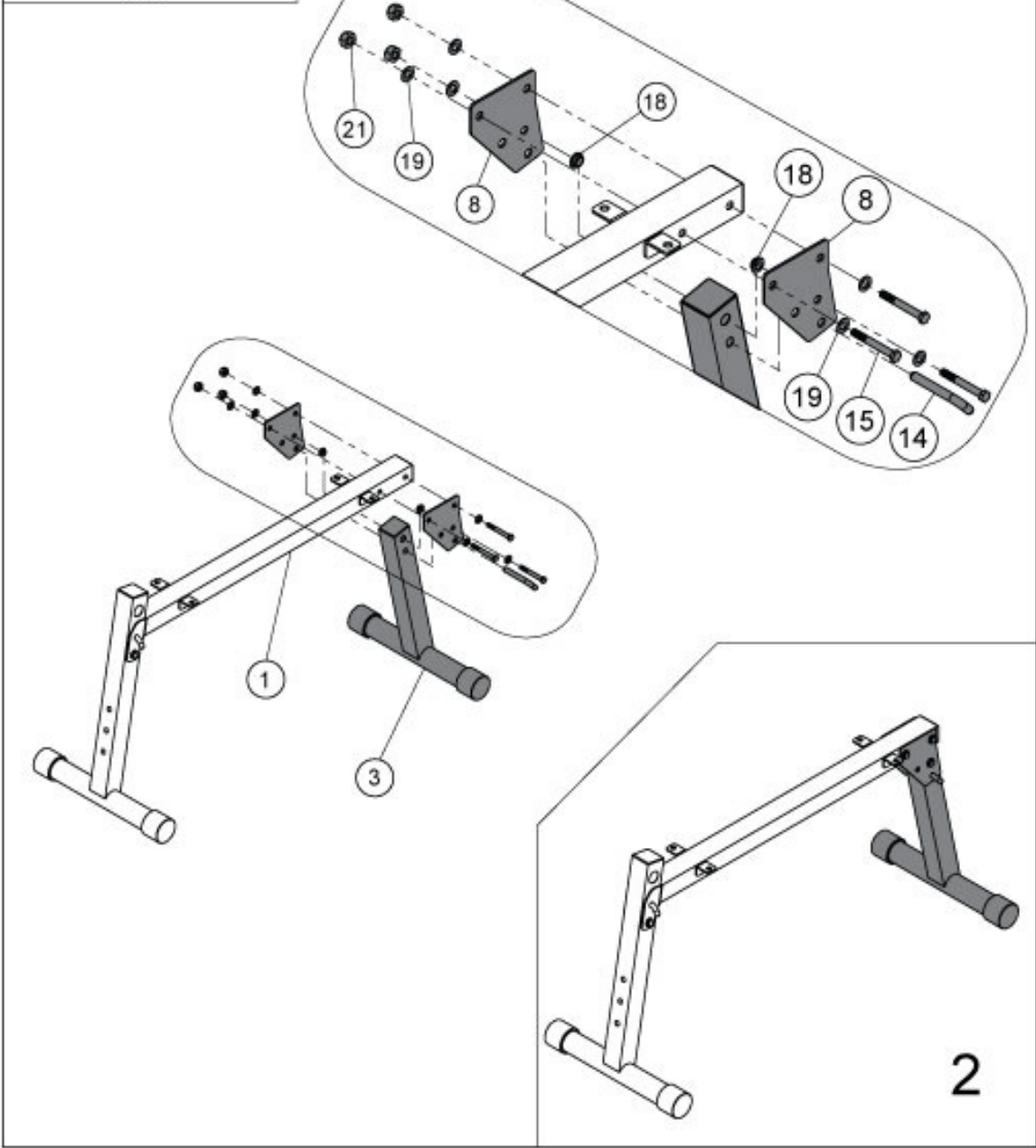


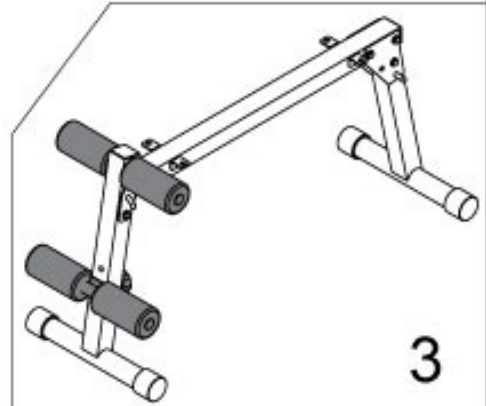
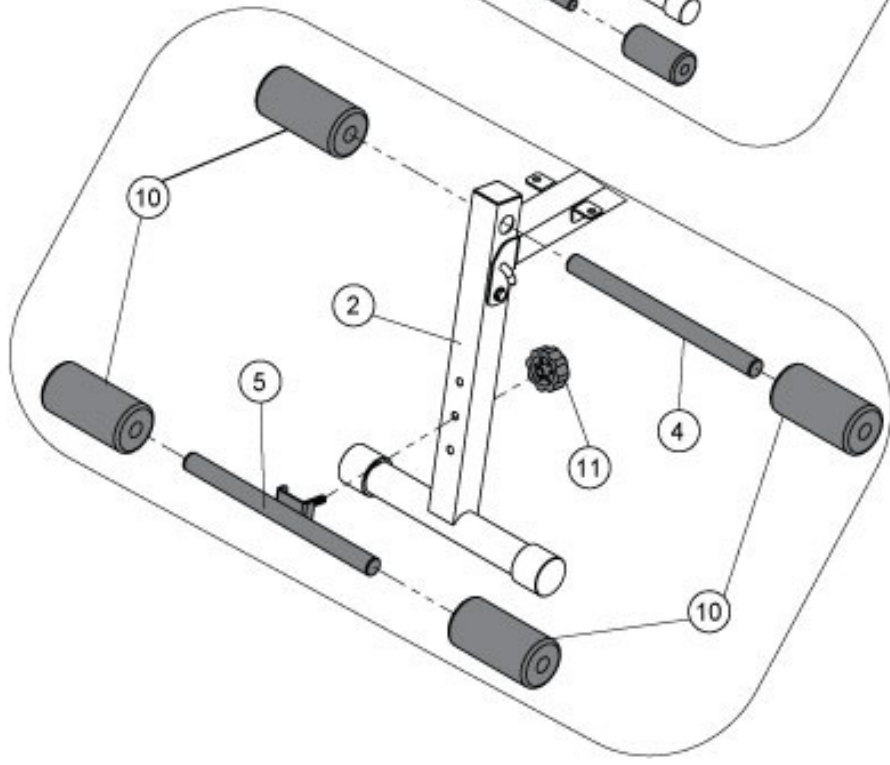
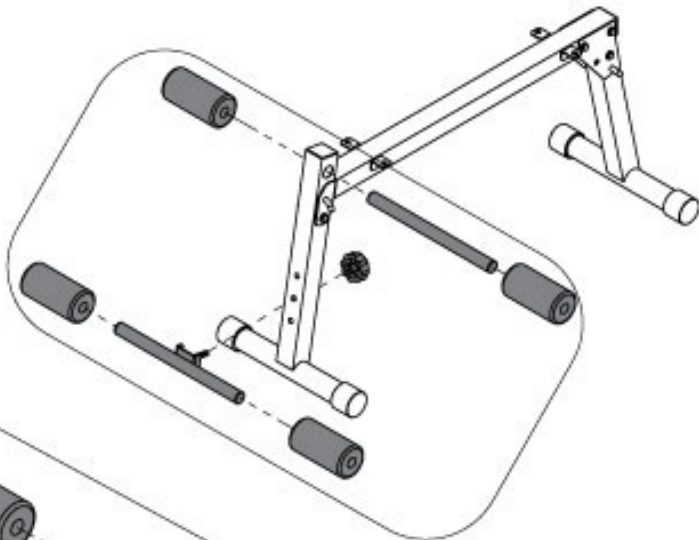
21

| | | | |
|----|---|---|-----------|
| 19 |  | 2 | φ20xφ10.5 |
| 21 |   | 1 | M10 |
| 16 |  | 1 | M10x65mm |



| | | | |
|----|---|---|-----------|
| 19 |  | 6 | φ20xφ10.5 |
| 21 |  | 3 | M10 |
| 15 |  | 3 | M10x75mm |





20



4 $\phi 16 \times \phi 8.4$

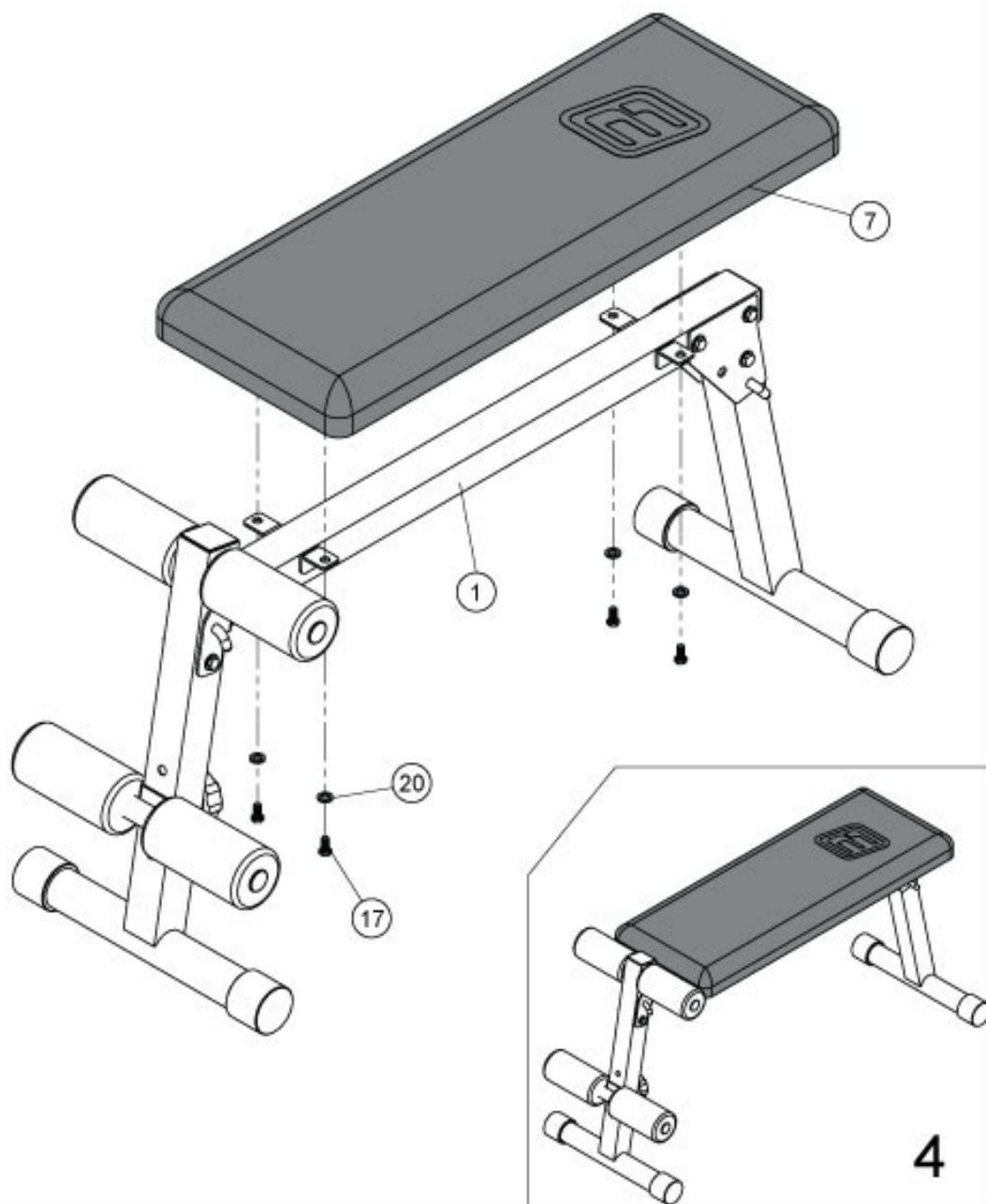
17

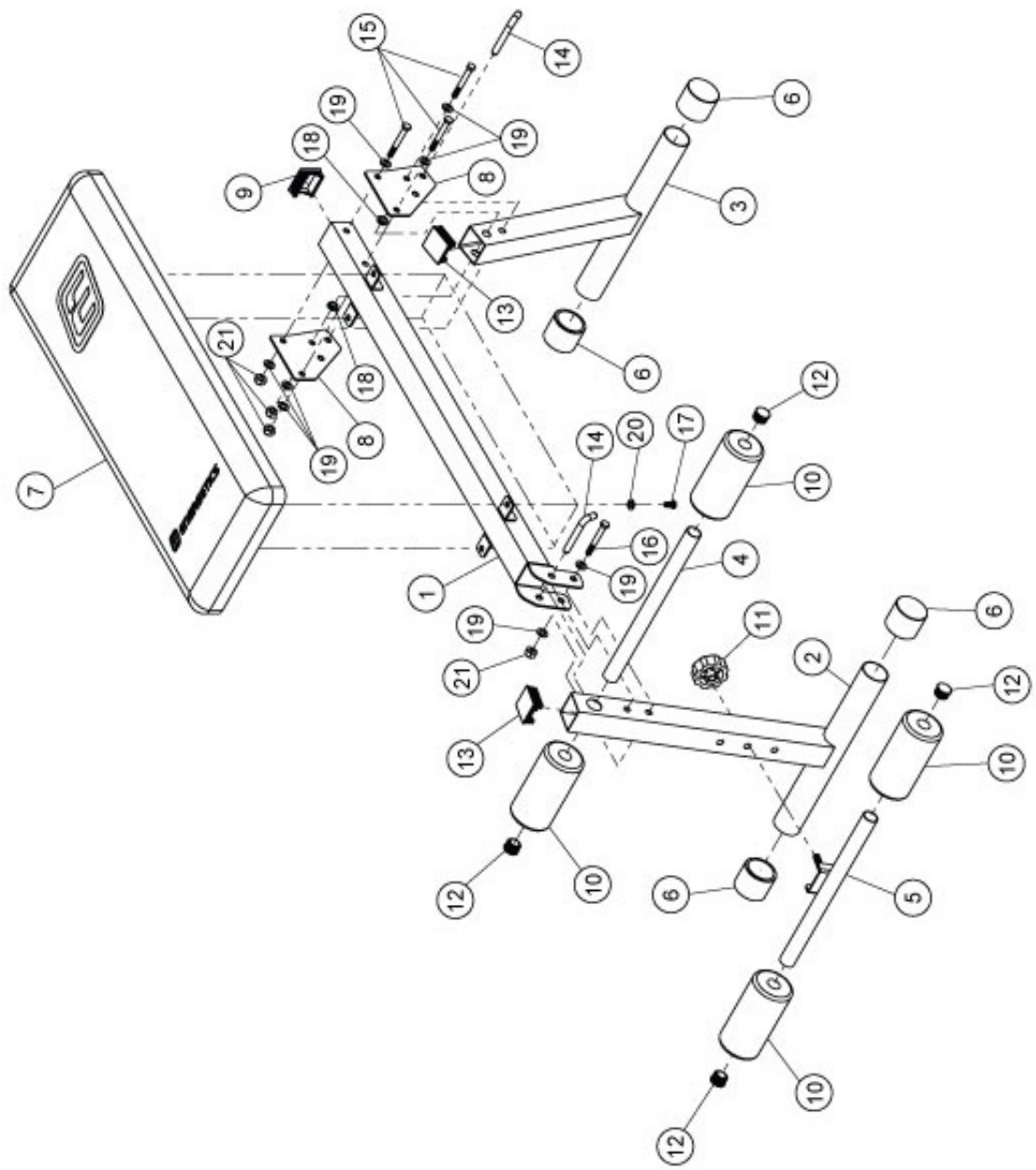


4 M8x16mm



A-1







**Woelflistrasse 2
CH-3006 Bern
Switzerland**

www.energetics.eu

© Copyright ENERGETICS 2012