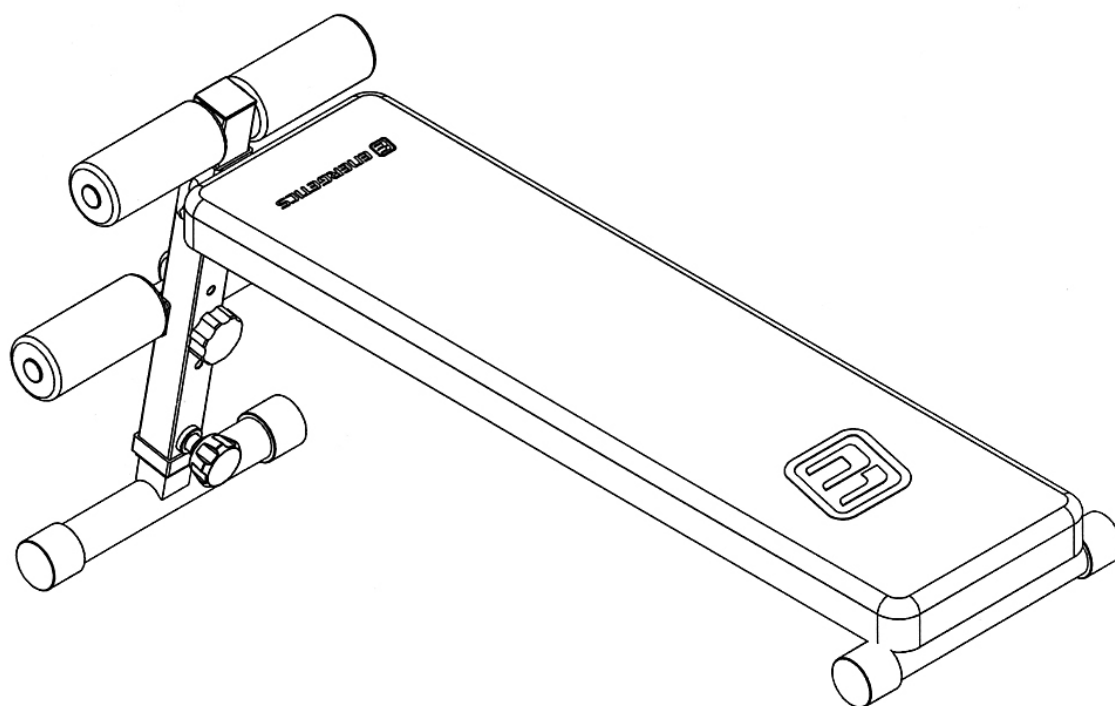
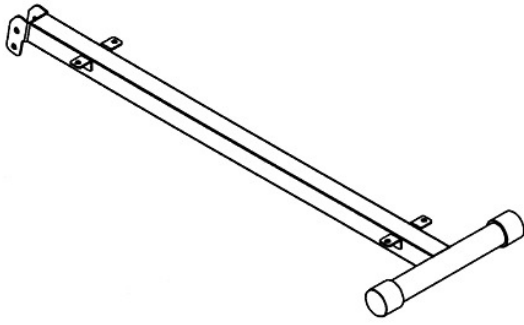


**E** **ENERGETICS**

## Light Bench 4.1

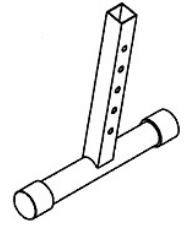




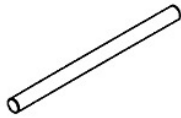
1



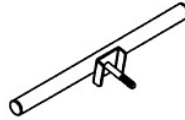
2



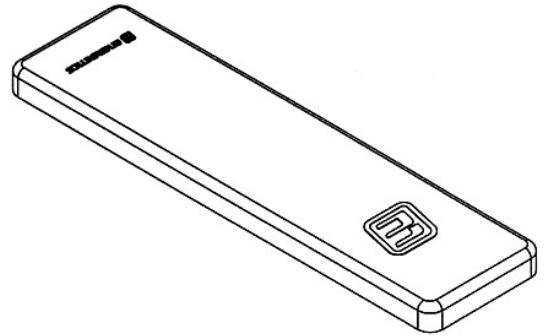
3



4



5



7



8



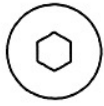
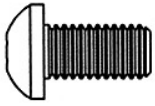
9



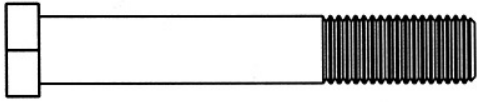
10



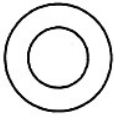
14



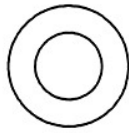
16



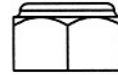
15



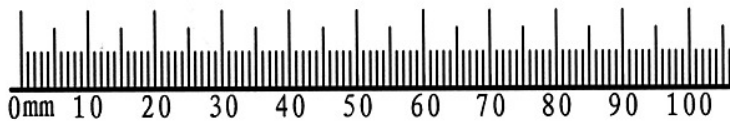
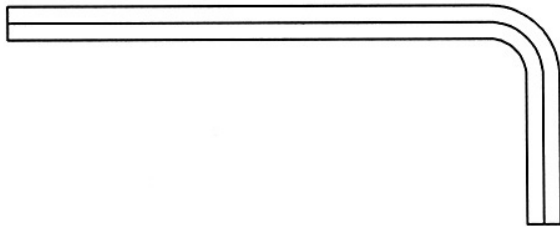
18



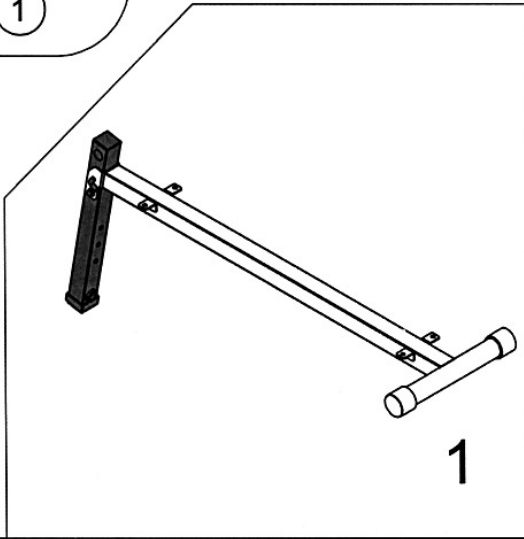
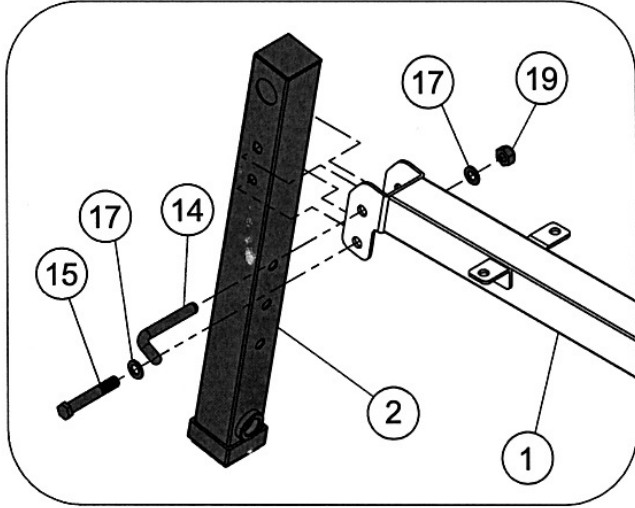
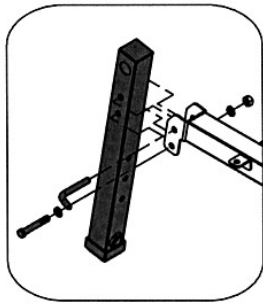
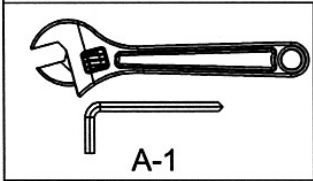
17

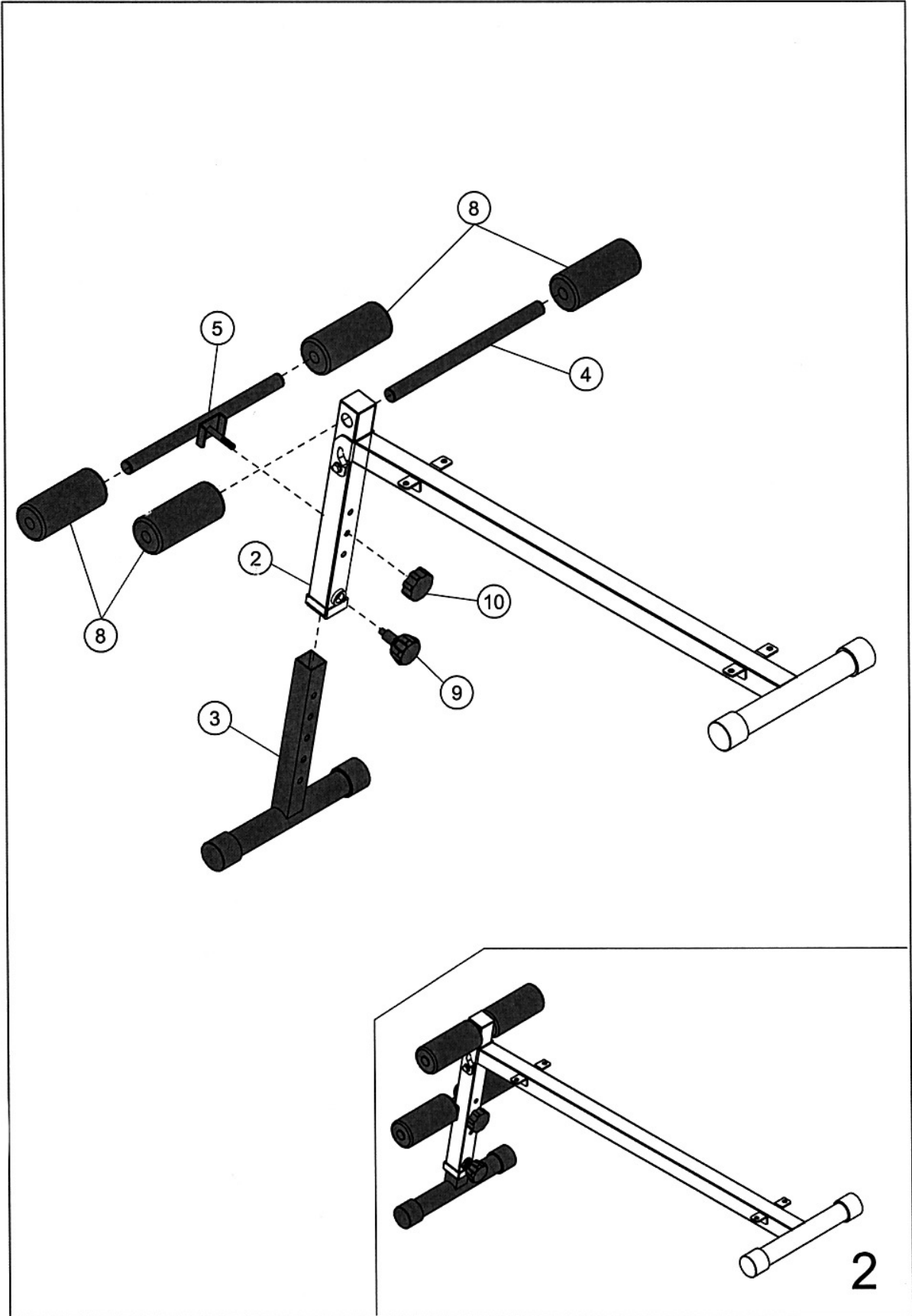


19



17		2	φ20xφ10.5
19		1	M10
15		1	M10x65mm





18

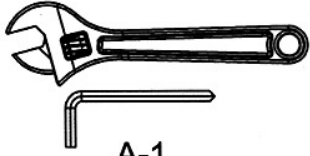


4  $\phi 16 \times \phi 8.4$

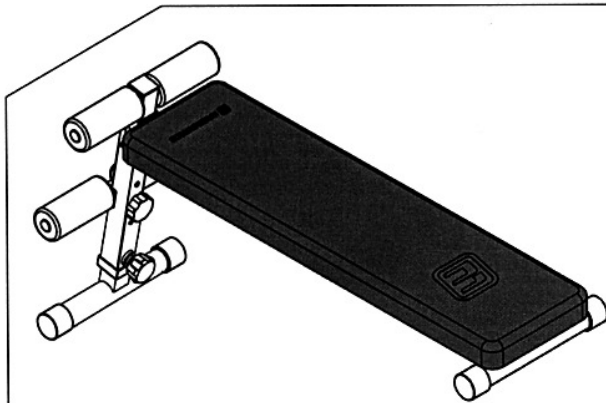
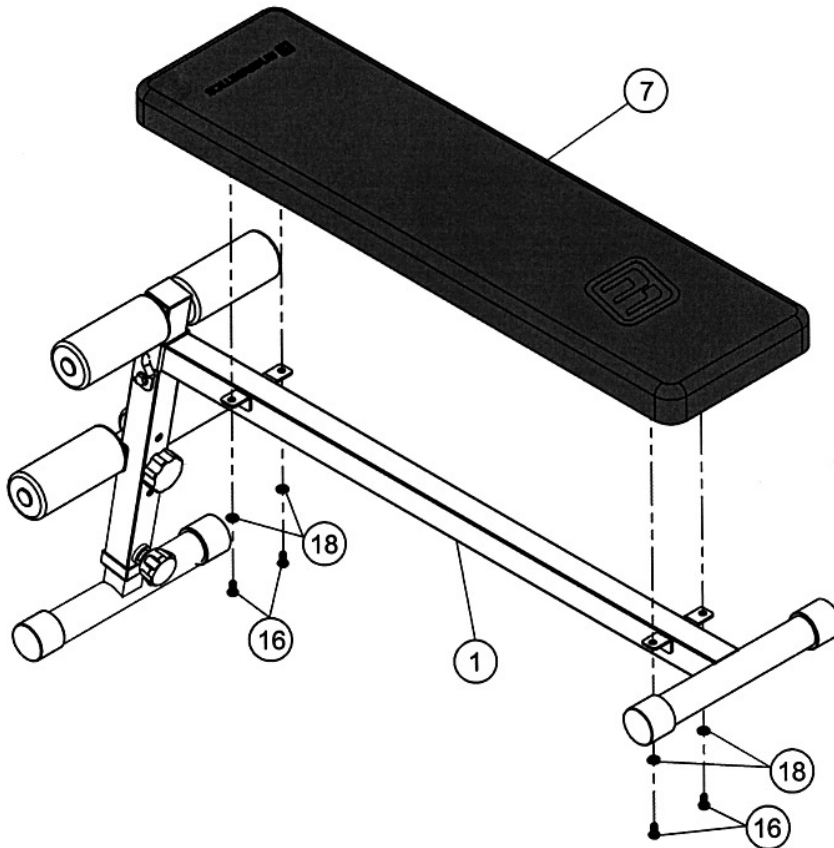
16



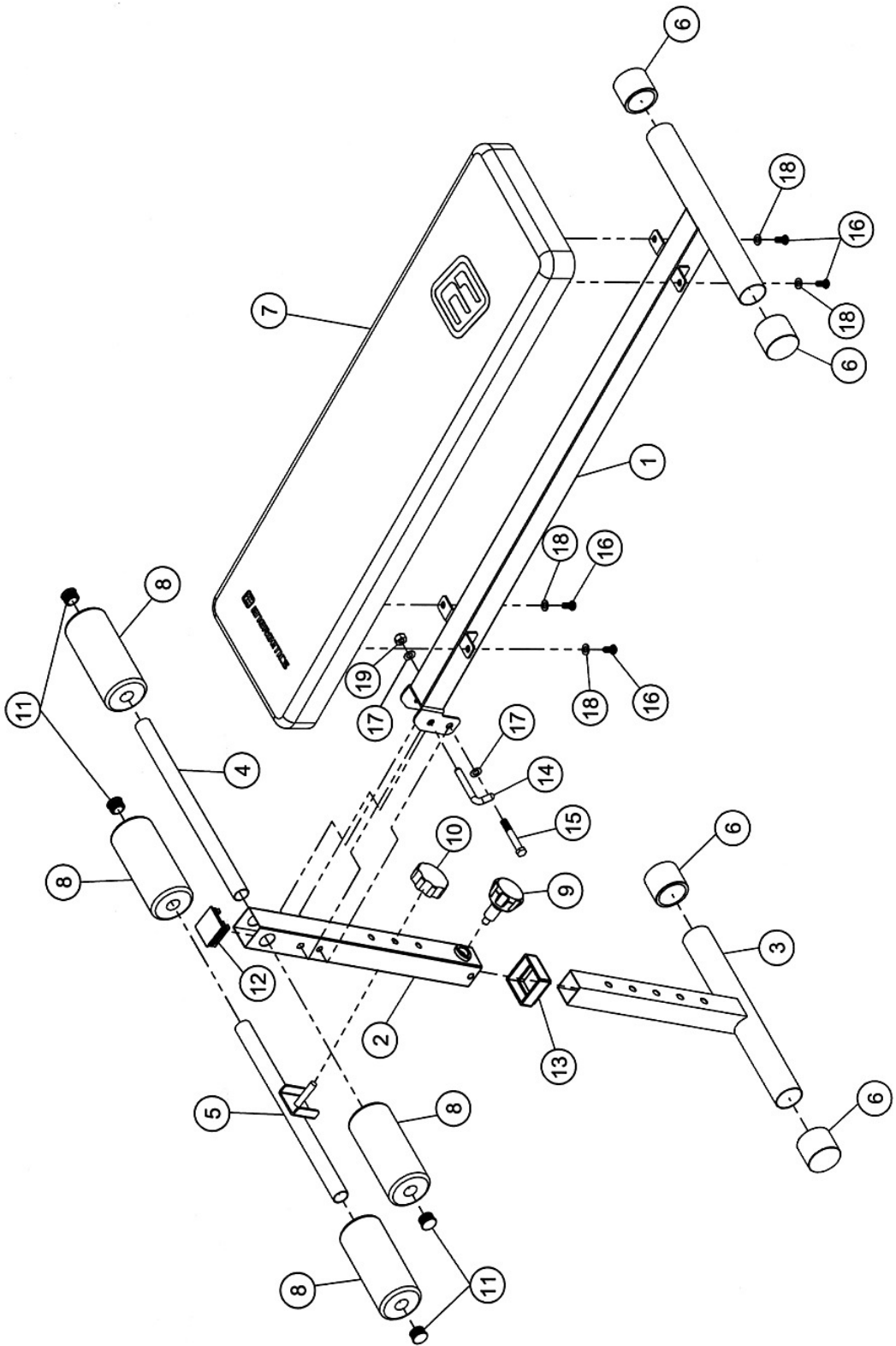
4 M8x16mm



A-1



3





**Woelflistrasse 2  
CH-3006 Bern  
Switzerland**

**[www.energetics.eu](http://www.energetics.eu)**

**© Copyright ENERGETICS 2012**