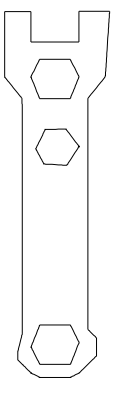


ENERGETICS

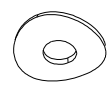
CT 4.6 Power Magnetic





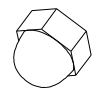
1x

Screw driver



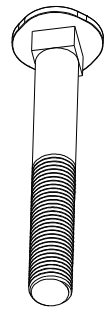
4x

$\Phi 10 * \Phi 22$



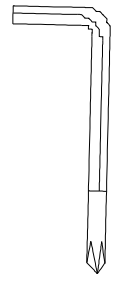
4x

M10



4x

M10*75



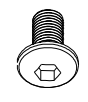
1x

Allen Wrench



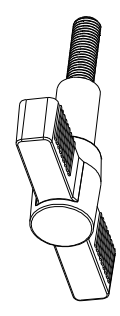
4x

$\Phi 8 * \Phi 20$



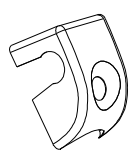
4x

M8*16



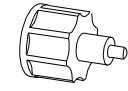
1x

T Type knob



1x

Plastic cover



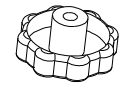
1x

Quick release knob



1x

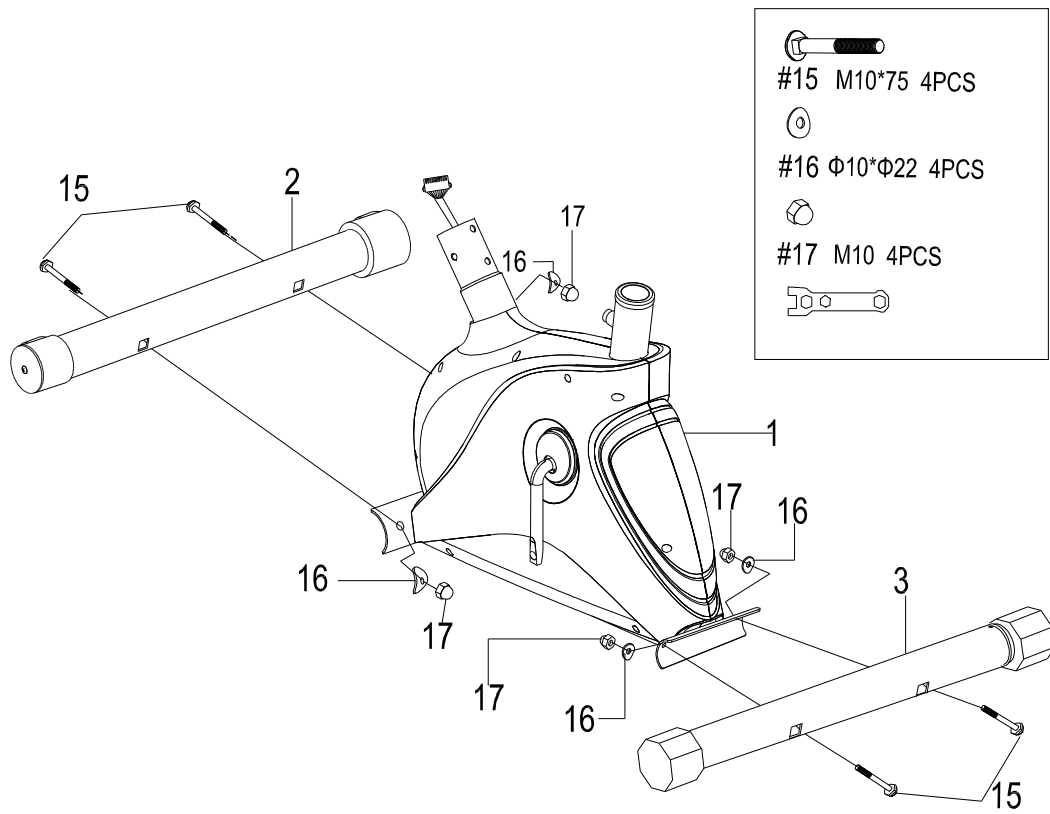
$\Phi 8 * \Phi 17$



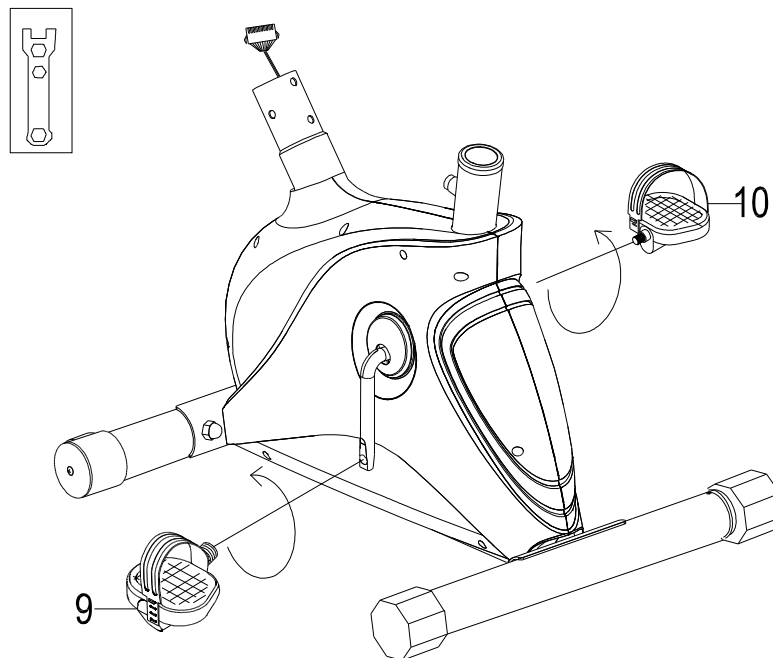
1x

Knob

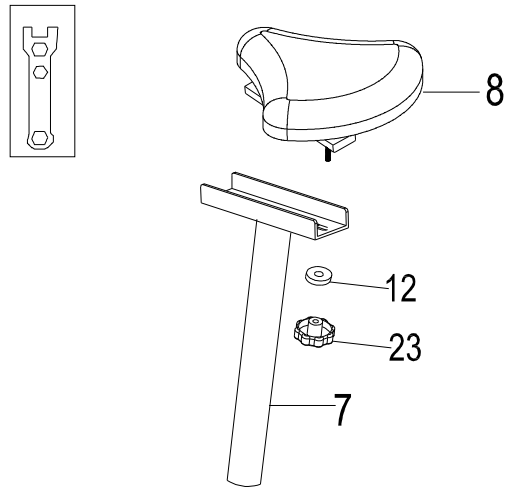
1.



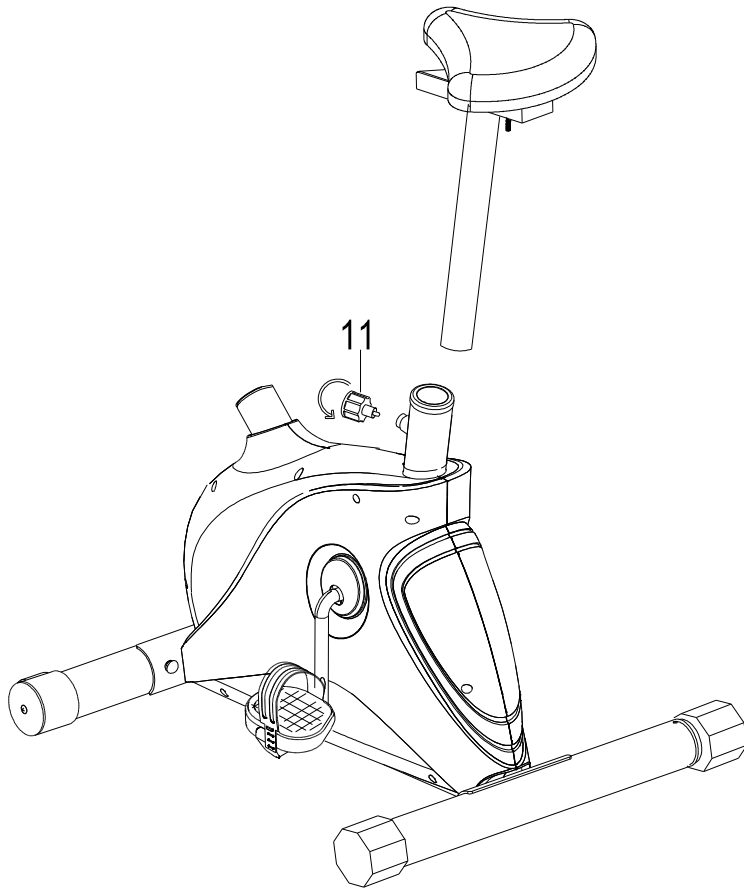
2.



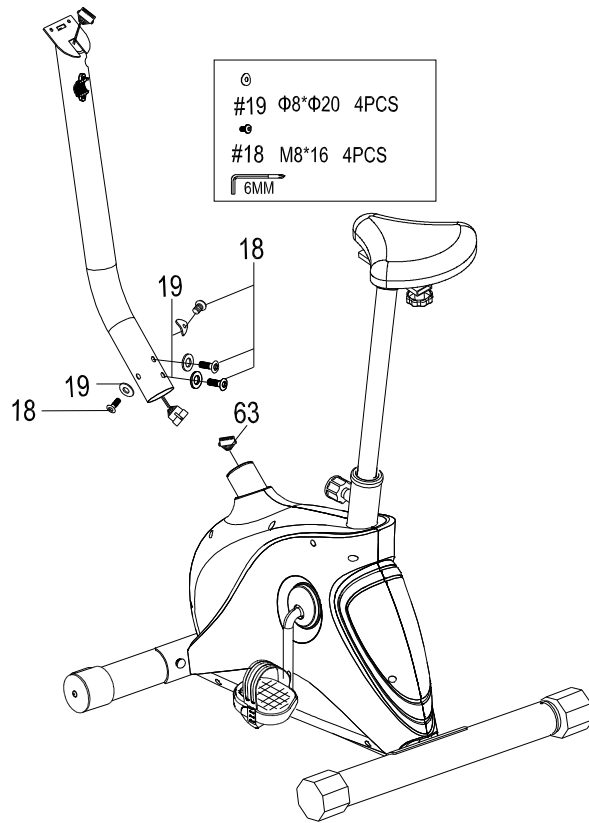
3.



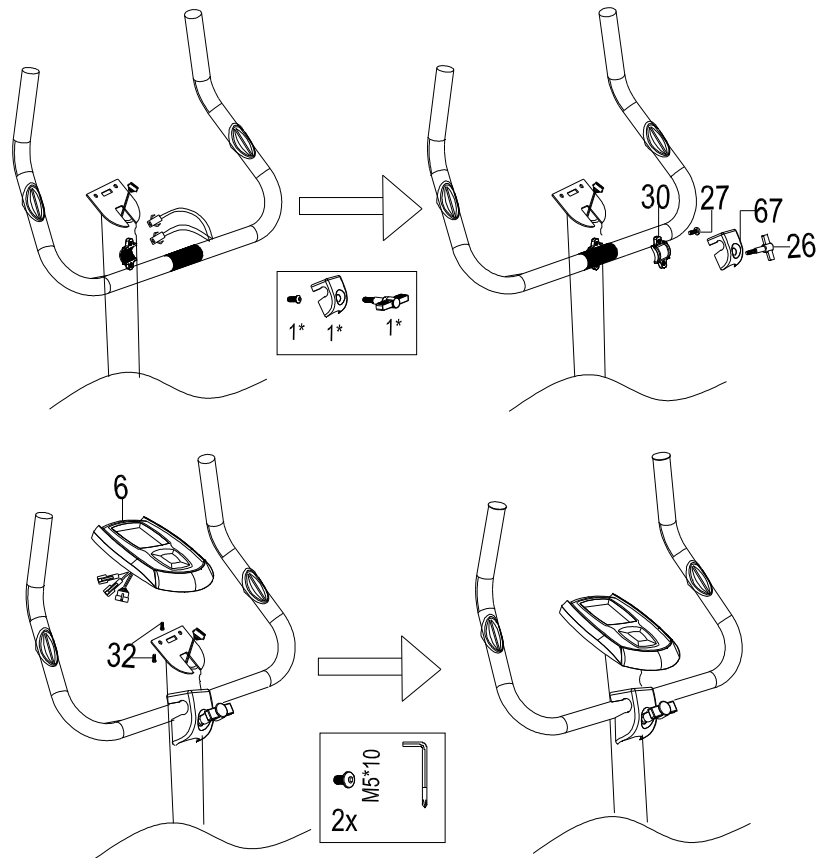
4.



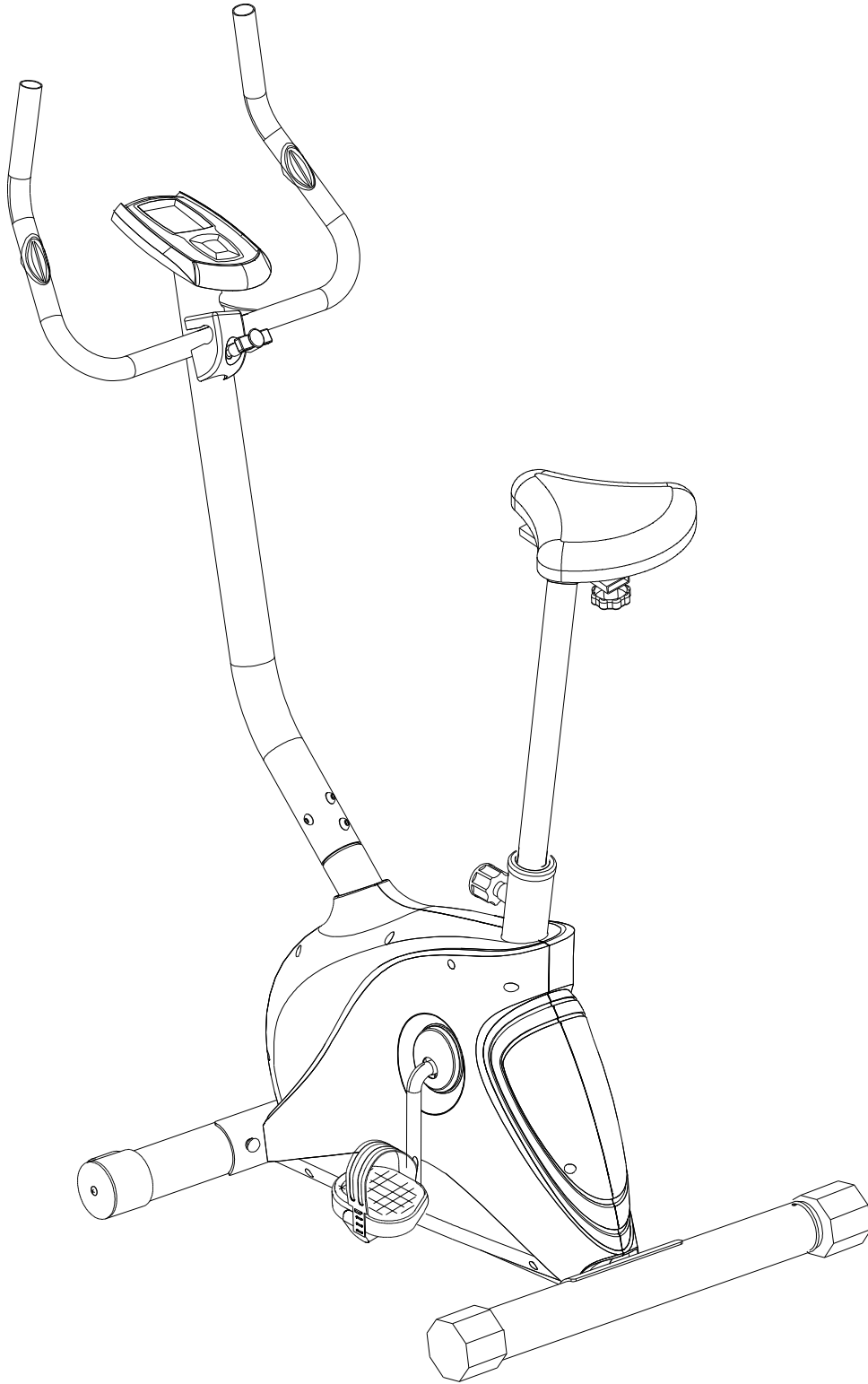
5.

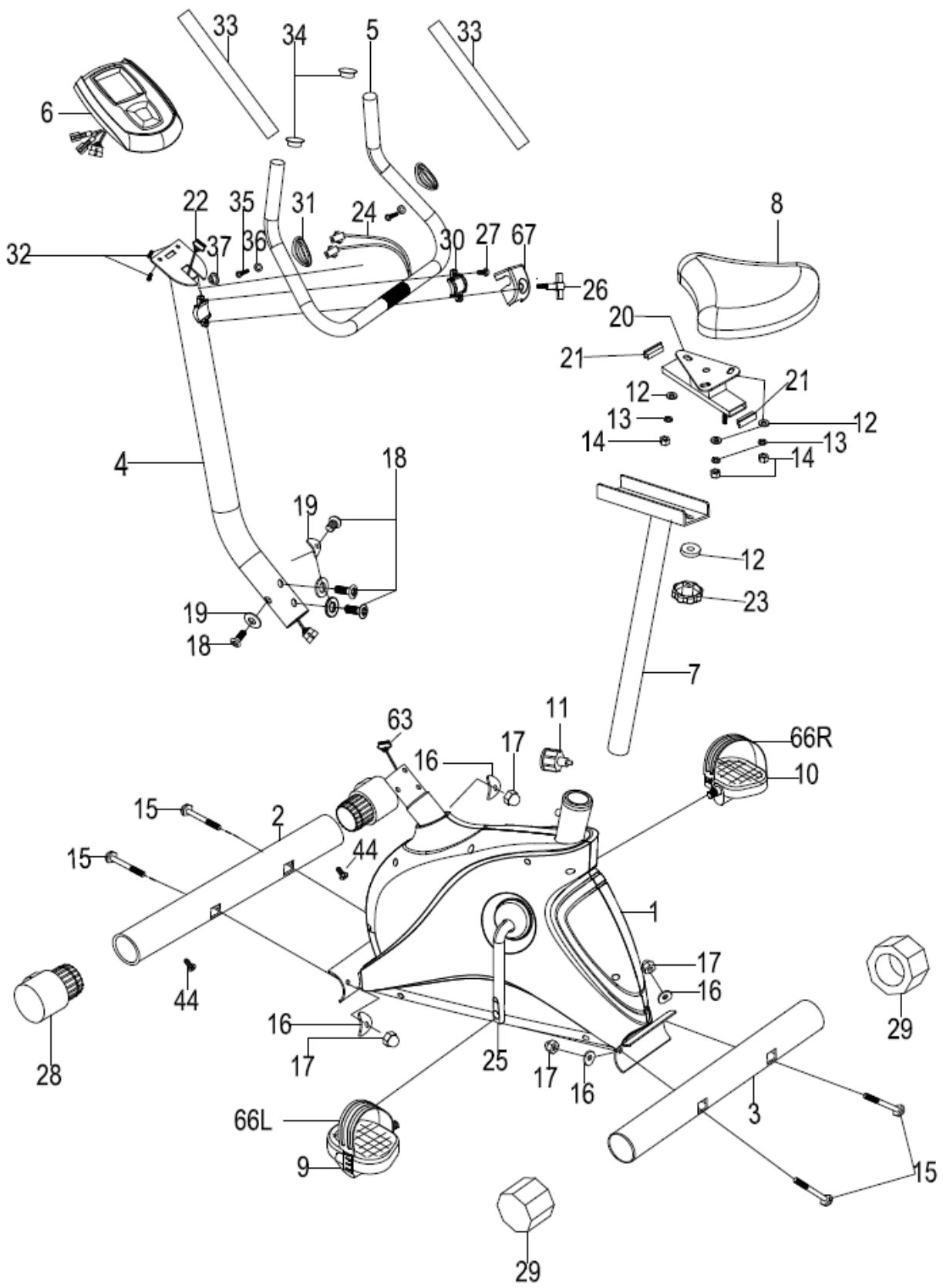


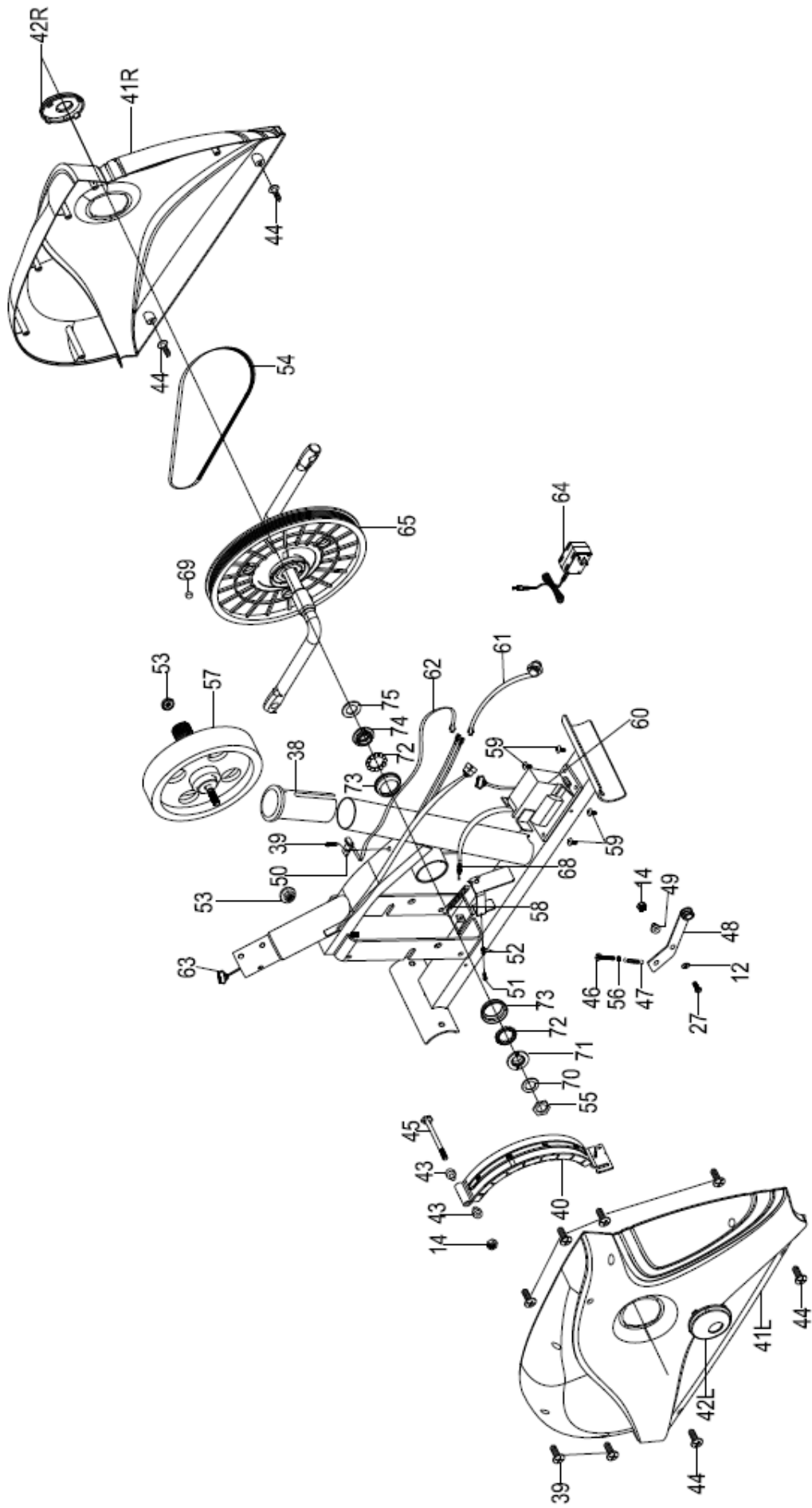
6.



7.









**Woelflistrasse 2
CH-3006 Bern
Switzerland**

www.energetics.eu

© Copyright ENERGETICS 2012