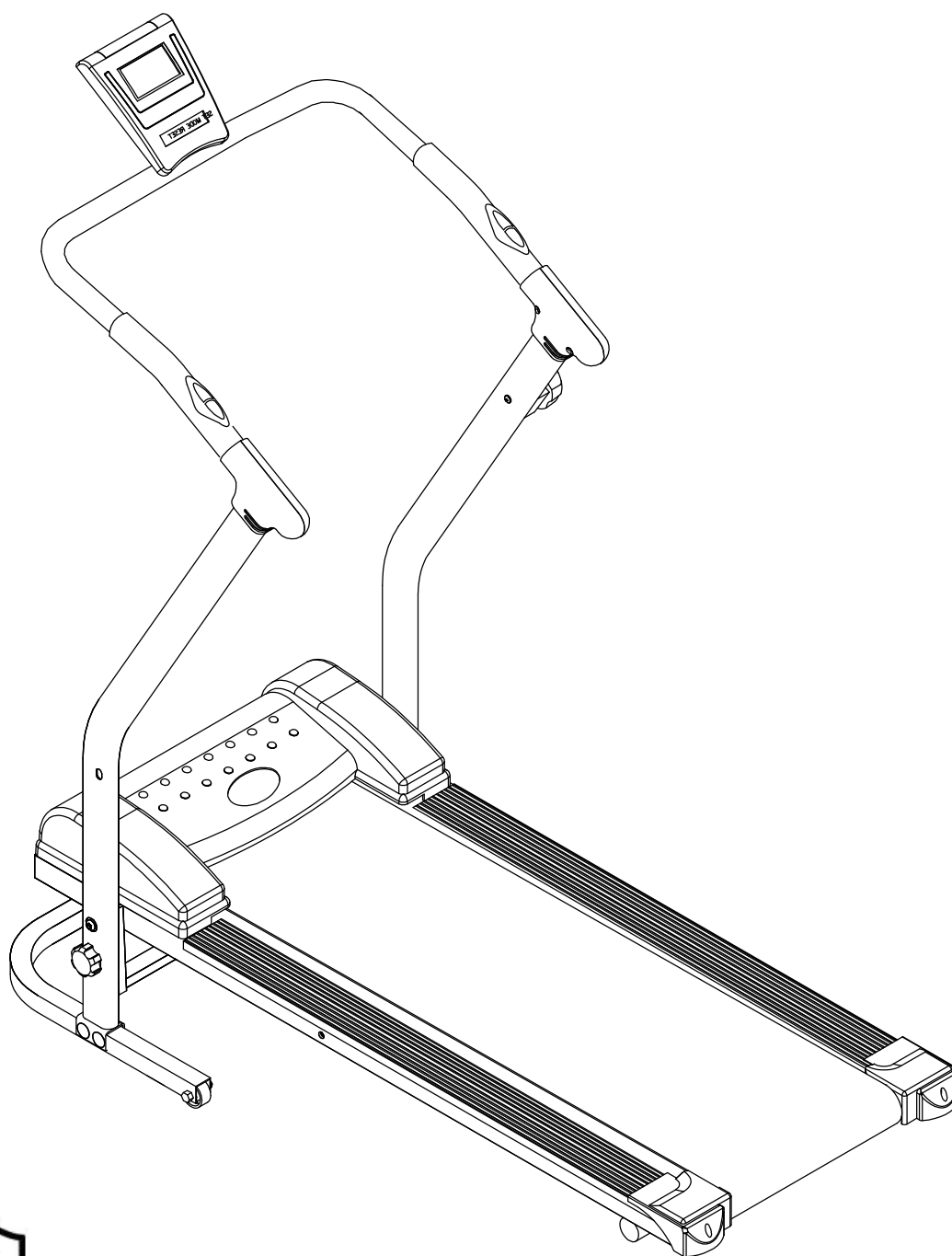
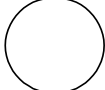
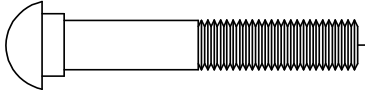

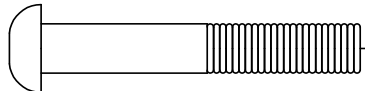
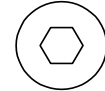
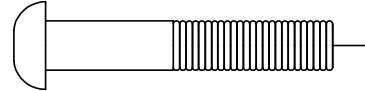



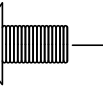

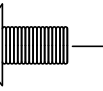
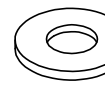



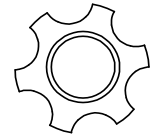
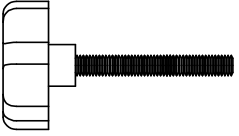


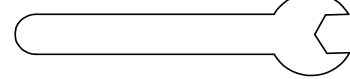


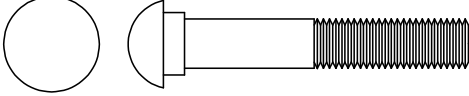




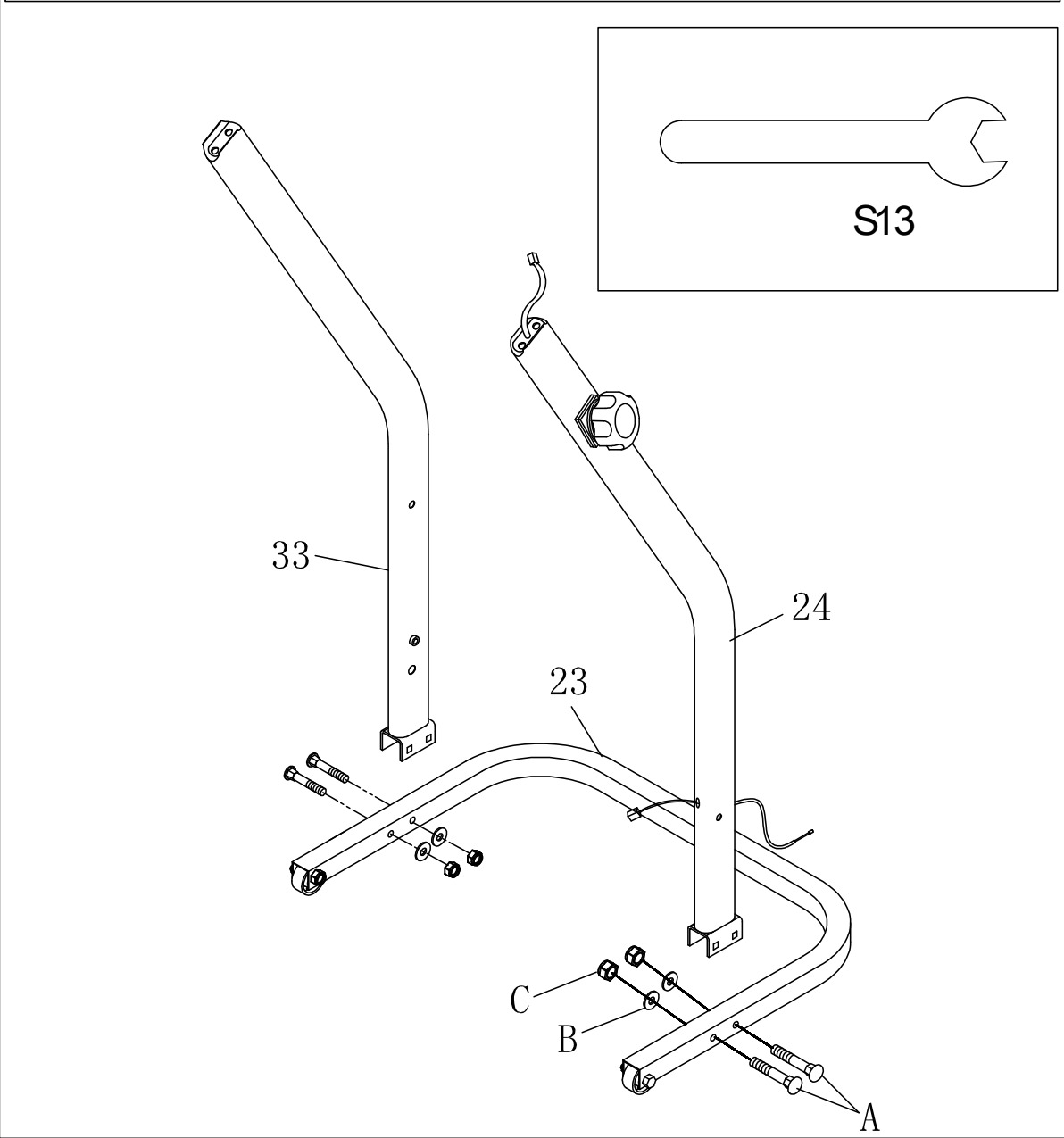
Magnetic Treadmill 1.5



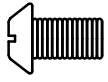
		#A	M8* 50	4PCS
		#F	M8* 50	2PCS
		#H	M8* 45	4PCS
		#I	M4* 15	4PCS
		#D	M6* 10	2PCS
		#N	M5* 15	2PCS
		#B	1 D8. 2* OD16. 2	4PCS
		#G	1 D8. 2* OD22. 2	2PCS
		#E	∅ 6. 2	2PCS
		#C	M8	4PCS
		#J	M8* 60	1PC
		#L	S6	1PC
		#M	S5	1PC
		#K	S13	1PC

1

	#A M8*50 4PCS
	#B ID8.2*OD16.2 4PCS
	#C M8 4PCS



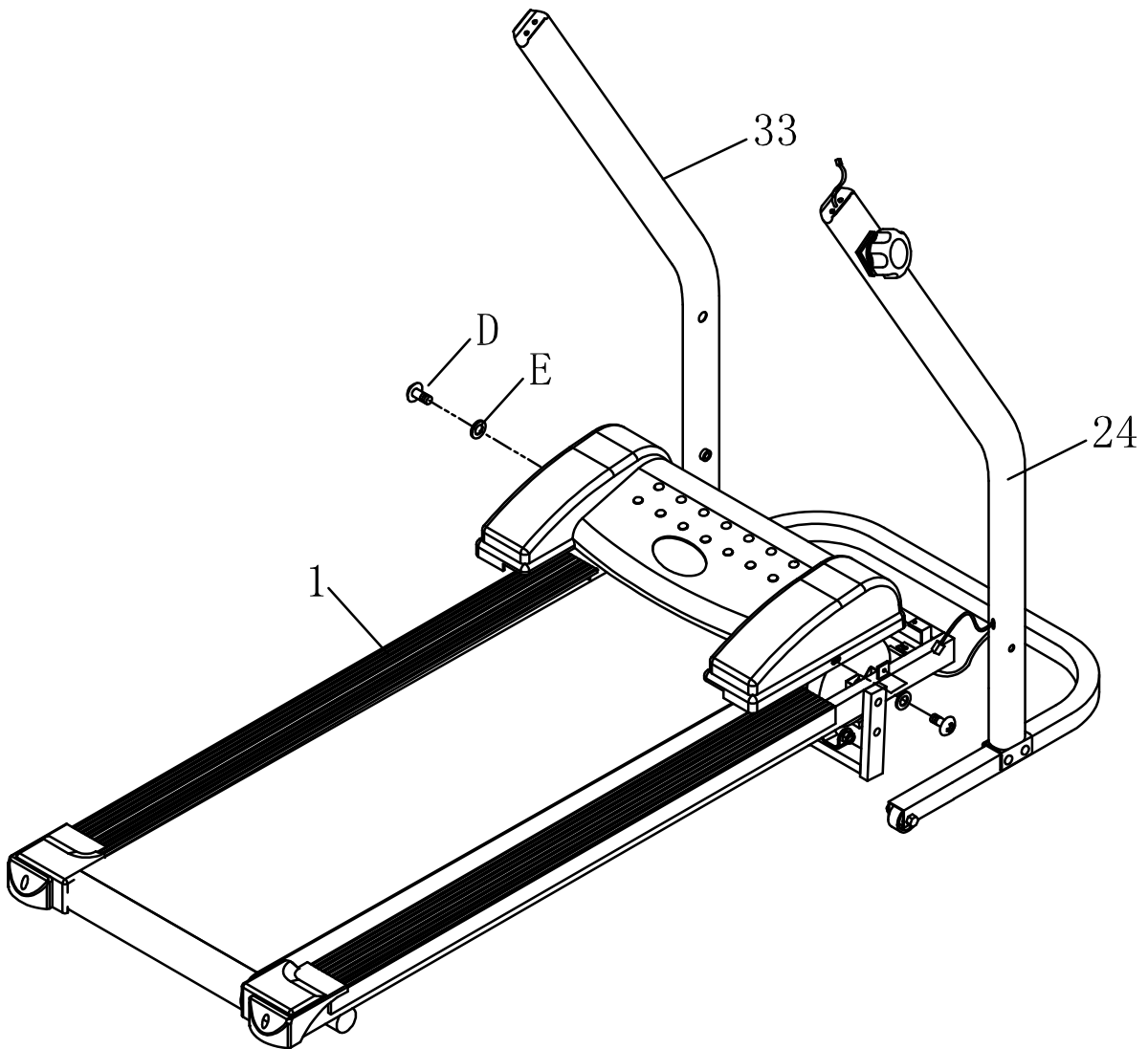
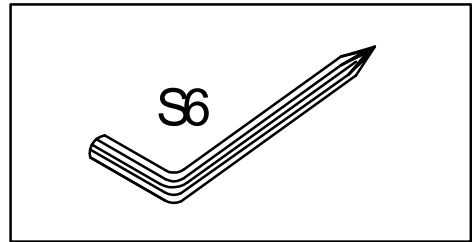
2



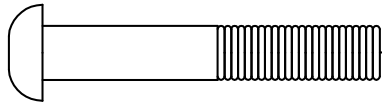
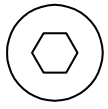
#D M6* 10L 2PCS



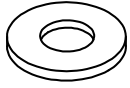
#E \varnothing 6.2 2PCS



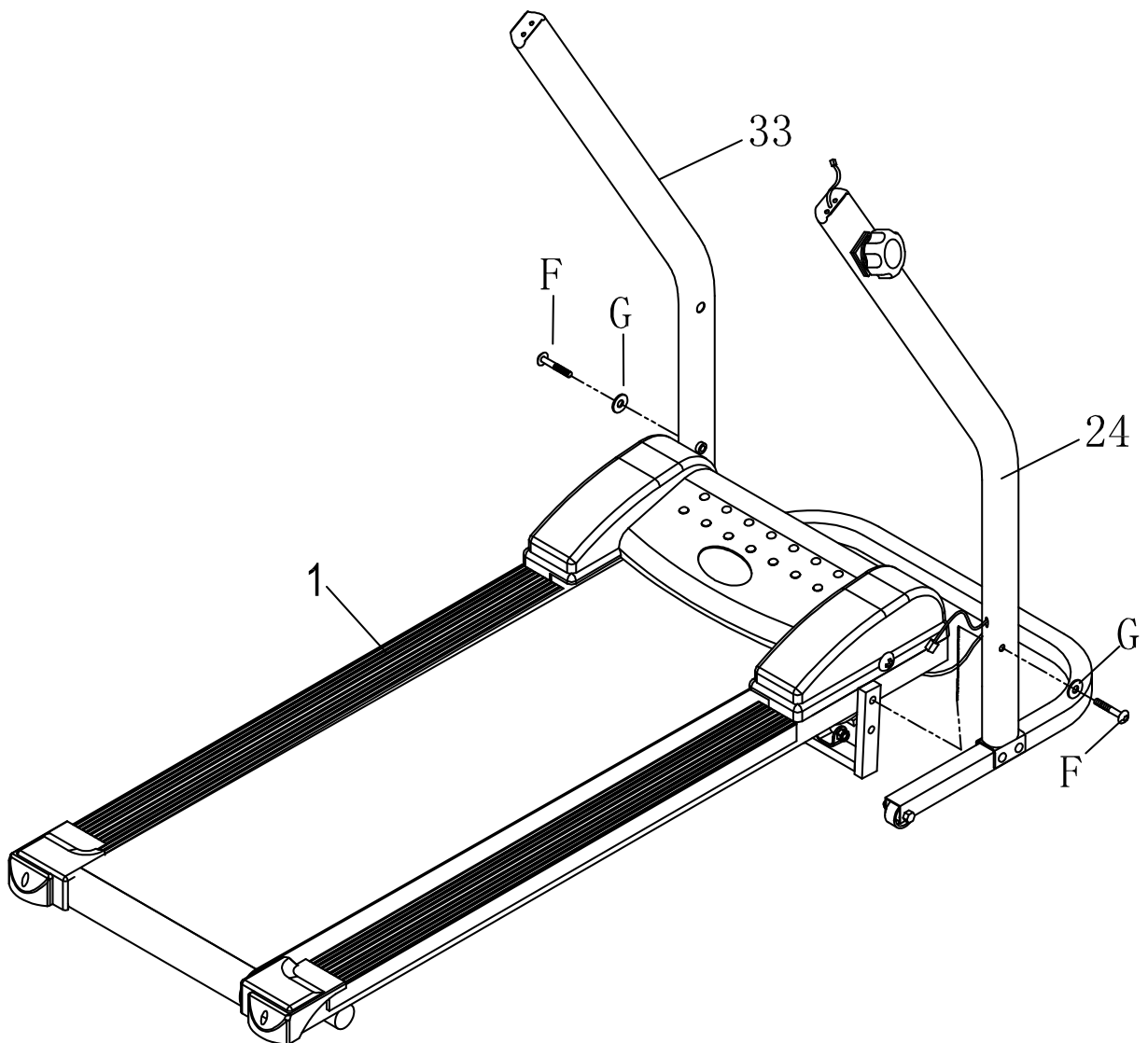
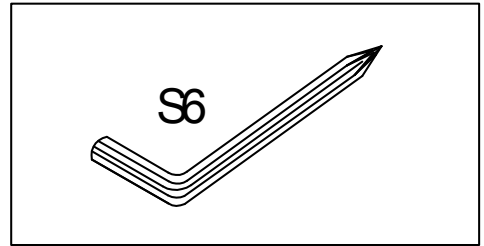
3



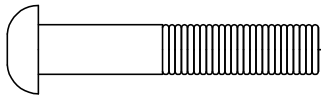
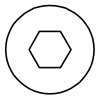
#F M8*50 2PCS



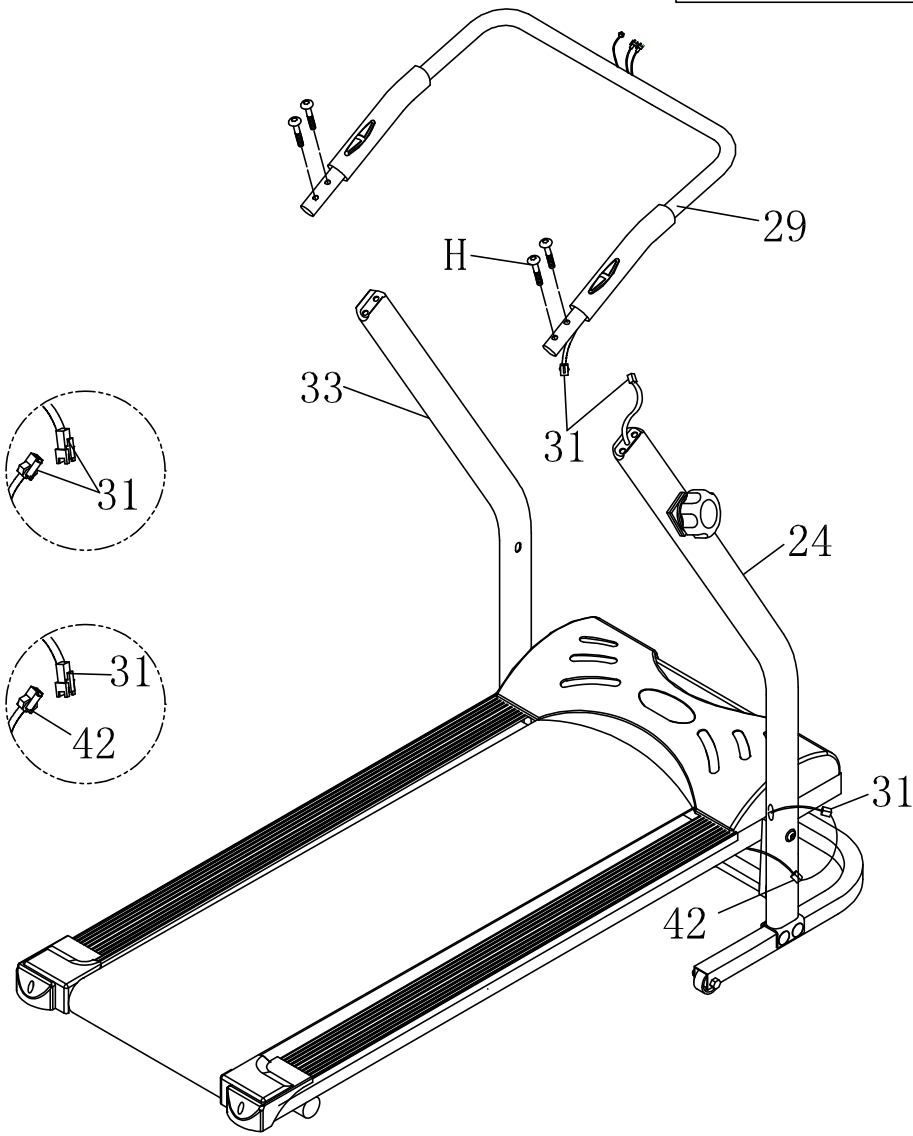
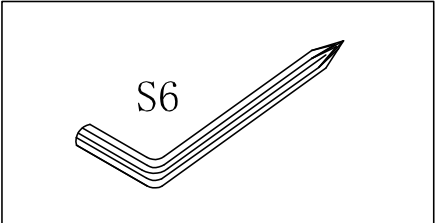
#G ID8.2*OD22.2 2PCS






4

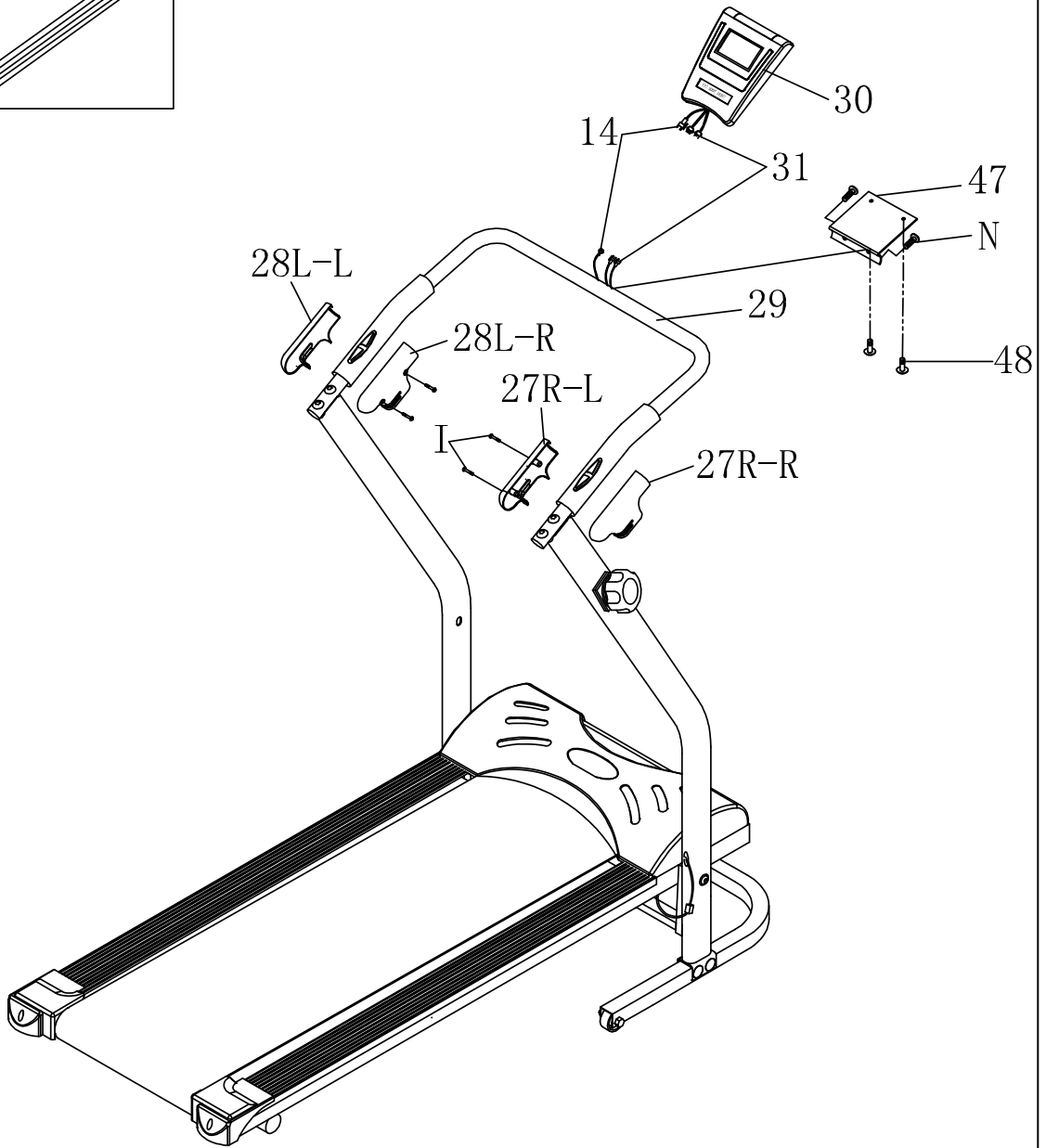
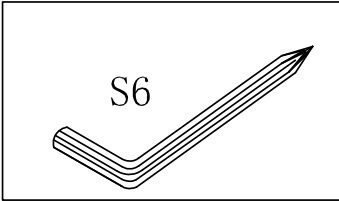


#H M8*45 4PCS

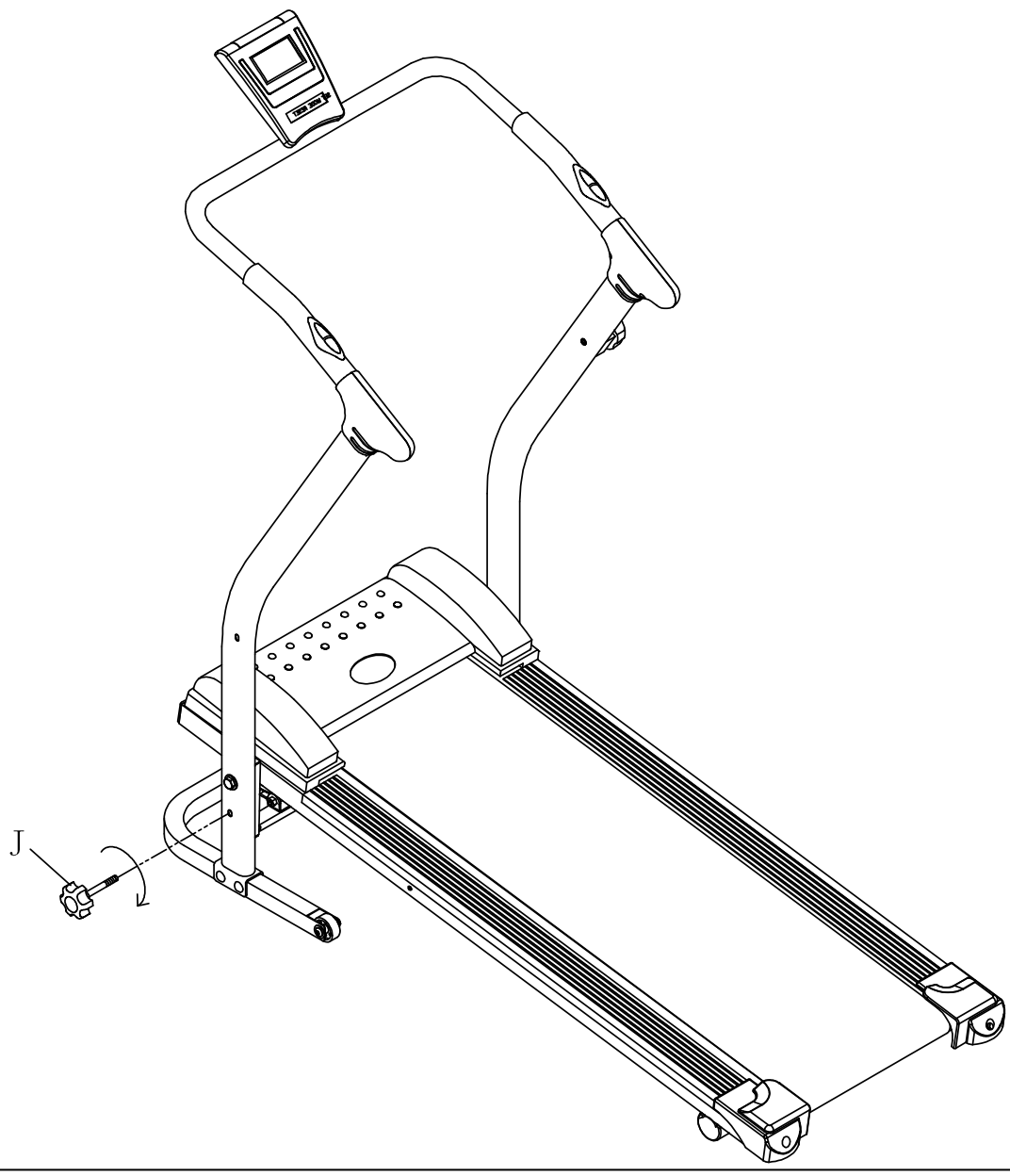
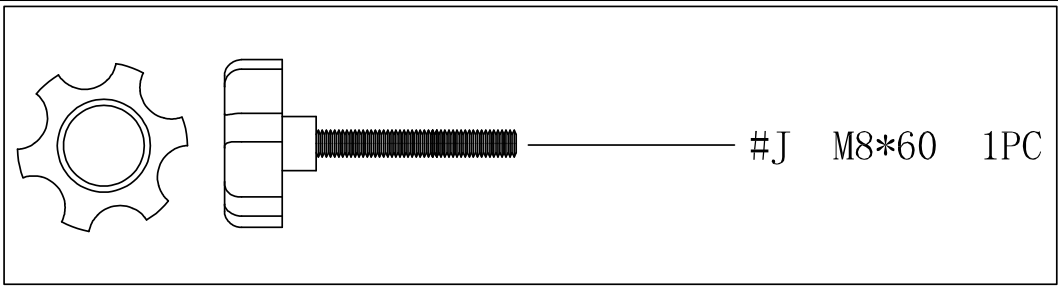


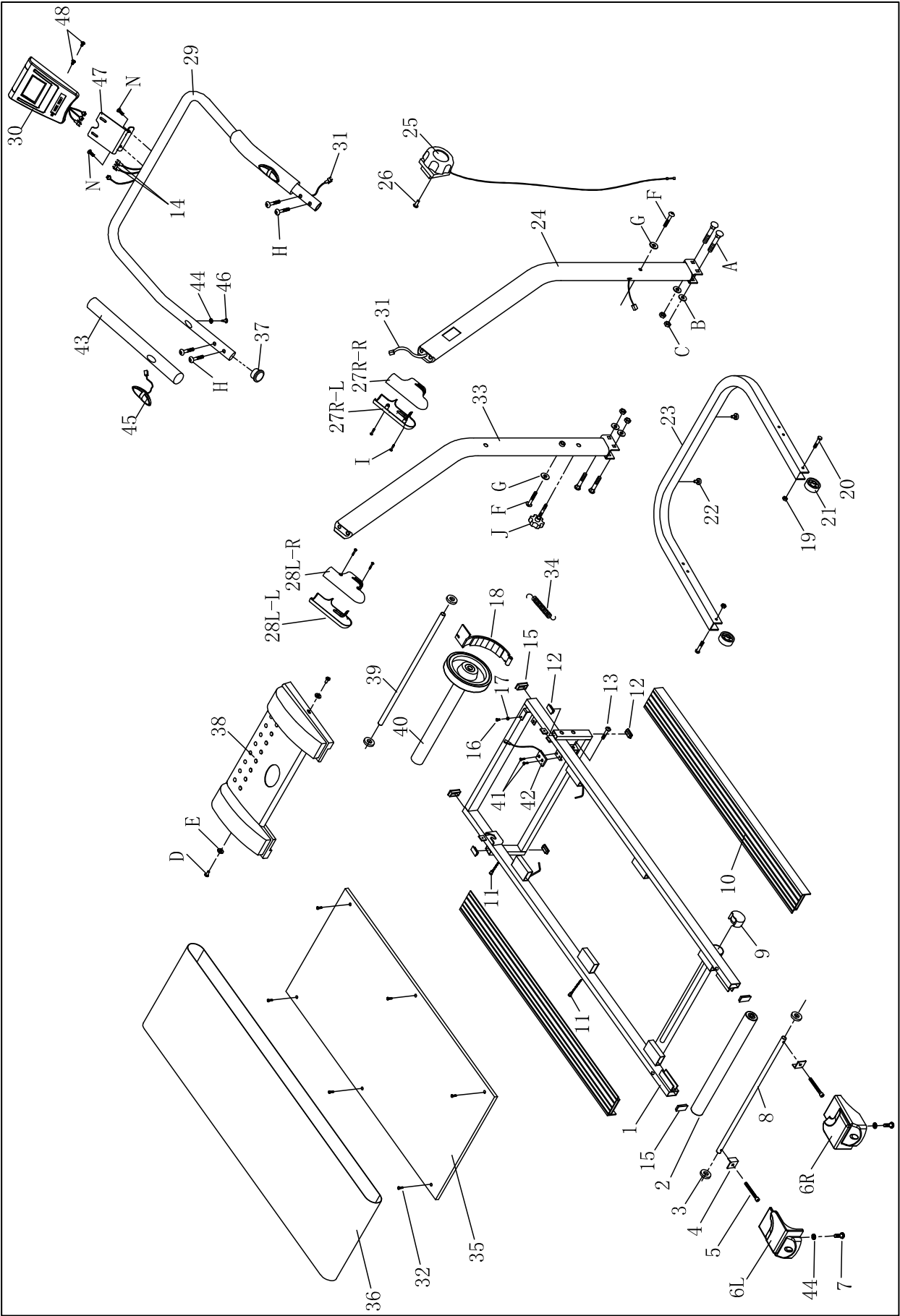
5

		#I	M4*15	4PCS
		#N	M5*15	2PCS
		#48	M5*10	2PCS



6







**Woelflistrasse 2
CH-3006 Bern
Switzerland**

www.energetics.eu

© Copyright ENERGETICS 2012